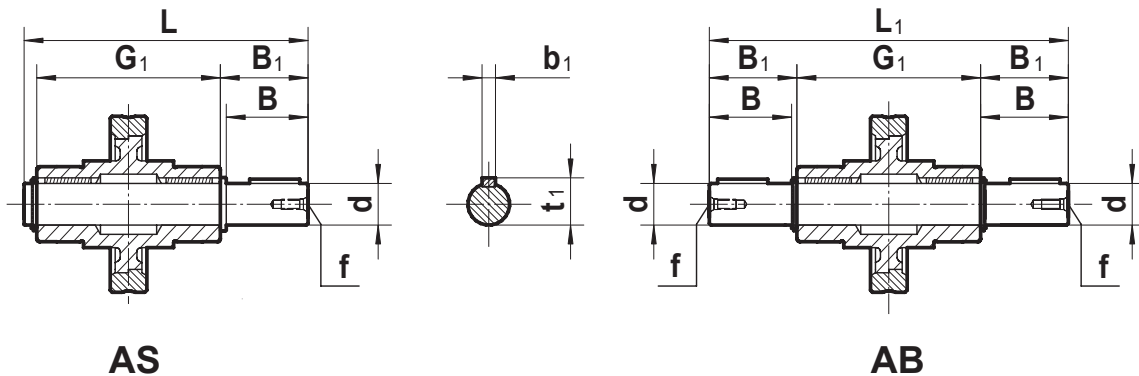


## Albero in uscita - Output shafts

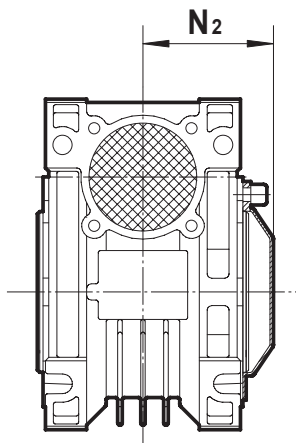


	d	B	B1	G1	L	L1	f	b1	t1
<b>025</b>	11 g6 9 *	23 25 *	25.5 30 *	50	81 85.5 *	101	—	4 3 *	12.5 10.2 *
<b>030</b>	14 h6	30	32.5	63	102	128	M6	5	16
<b>040</b>	18 h6	40	43	78	128	164	M6	6	20.5
<b>050</b>	25 h6	50	53.5	92	153	199	M10	8	28
<b>063</b>	25 h6	50	53.5	112	173	219	M10	8	28
<b>075</b>	28 h6	60	63.5	120	192	247	M10	8	31
<b>090</b>	35 h6	80	84.5	140	234	309	M12	10	38
<b>110</b>	42 h6	80	84.5	155	249	324	M16	12	45
<b>130</b>	45 h6	80	85	170	265	340	M16	14	48.5

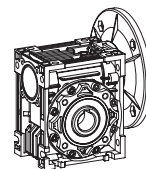
[ \* ] Modello non standard

( \* ) Nonstandard model

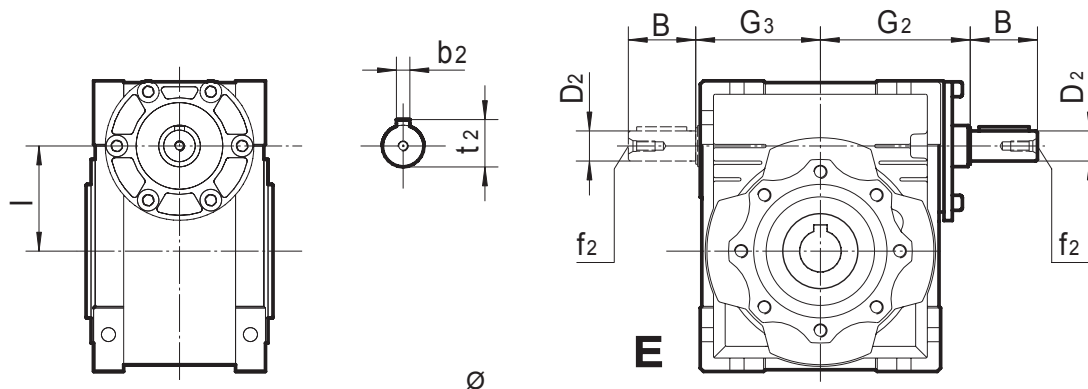
## Carcassa - Cover



	N <sub>2</sub>
<b>030</b>	47
<b>040</b>	55
<b>050</b>	62.5
<b>063</b>	73.5
<b>075</b>	78.5
<b>090</b>	90.5
<b>110</b>	99
<b>130</b>	107

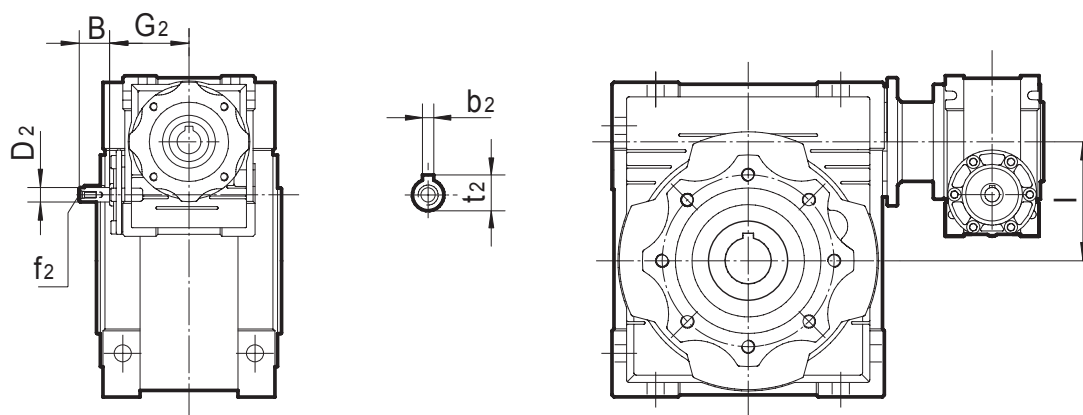


## Albero in ingresso - Shaft input worm-gear speed reducer



RDV	30	40	50	63	75	90	110	130
B	20	23	30	40	50	50	60	80
D <sub>2</sub>	∅9 j6	∅11 j6	∅14 j6	∅19 j6	∅24 j6	∅24 j6	∅28 j6	∅30 j6
G <sub>2</sub>	51	60	74	90	105	125	142	162
G <sub>3</sub>	45	53	64	75	90	108	135	155
l	30	40	50	63	75	90	110	130
b <sub>2</sub>	3	4	5	6	8	8	8	8
f <sub>2</sub>	-	-	M6	M6	M8	M8	M10	M10
t <sub>2</sub>	10.2	12.5	16	21.5	27	27	31	33

## Combinazioni riduttori vite senza fine - Combination worm gear unit



RDV-MRDV	030-040	030-050	030-063	040-075	040-090	050-110	063-130
B	20	20	20	23	23	30	40
D <sub>2</sub>	∅9 j6	∅9 j6	∅9 j6	∅11 j6	∅11 j6	∅14 j6	∅19 j6
G <sub>2</sub>	51	51	51	60	60	74	90
l	10	20	33	35	50	60	67
b <sub>2</sub>	3	3	3	4	4	5	6
f <sub>2</sub>	-	-	-	-	-	M6	M6
t <sub>2</sub>	10.2	10.2	10.2	12.5	12.5	16	21.5

**Per le dimensioni mancanti consultare le pagine da 58 a 66.**

For the missing dimensions, please refer to page 58-66.