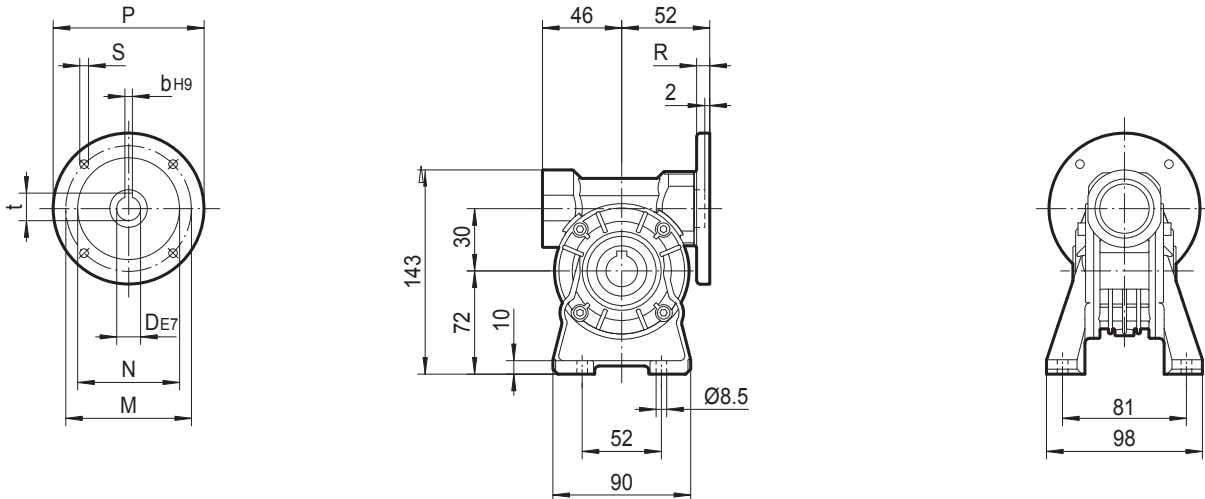


12.4 DIMENSIONI / OUTLINE DIMENSION SHEET

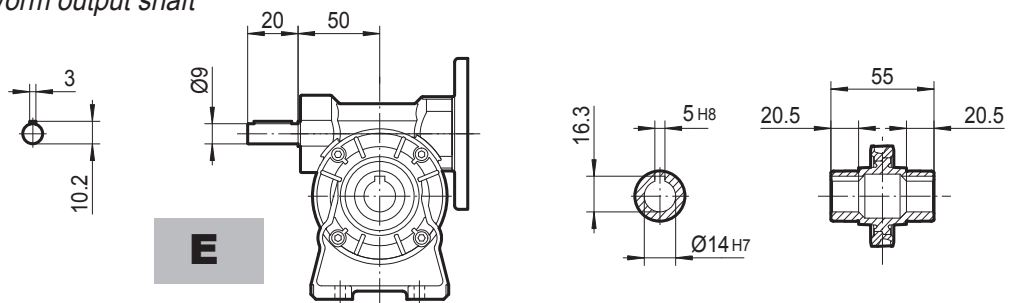
12.4.1 MRDB.. Dimensioni / Outline dimension

MRDB30A..P(IEC)

Piedi / Input adapters

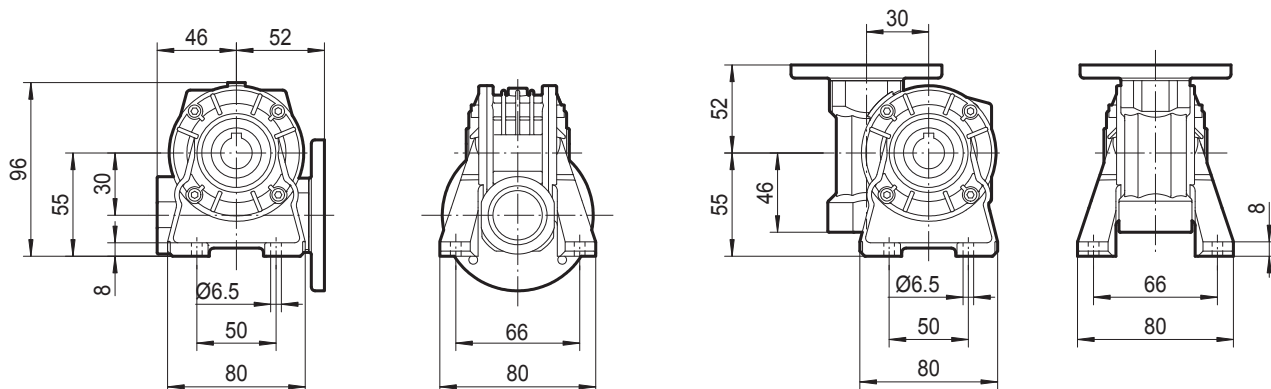


Dimensioni albero / Worm output shaft



MRDB30N..

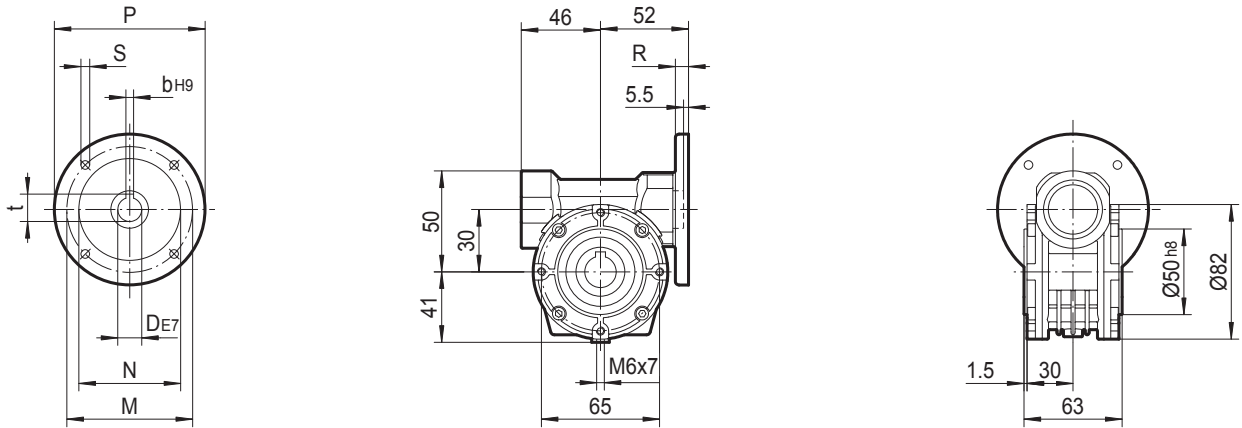
MRDB30V..



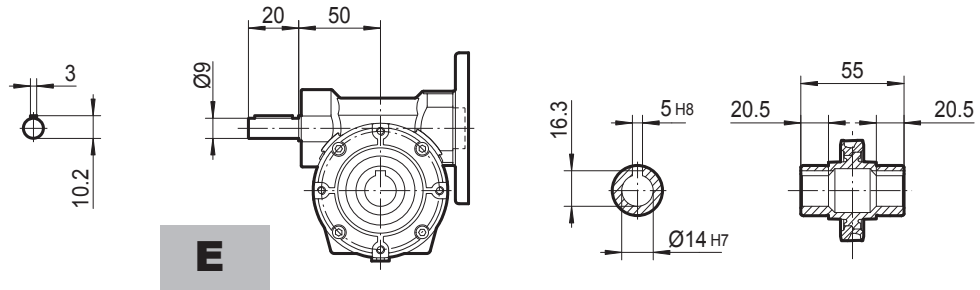
IEC	D _{E7}	b	t	P	M	N	R	S
56B5	9	3	10.4	120	100	80	7	7
56B14	9	3	10.4	80	65	50	7	5.5
63B5	11	4	12.8	140	115	95	8	9.5
63B14	11	4	12.8	90	75	60	7	5.5

MRDB 30P..P(IEC)

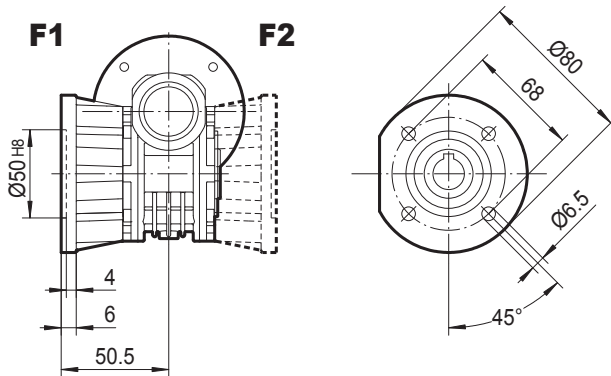
Piedi / Input adapters



Dimensioni albero / Worm output shaft



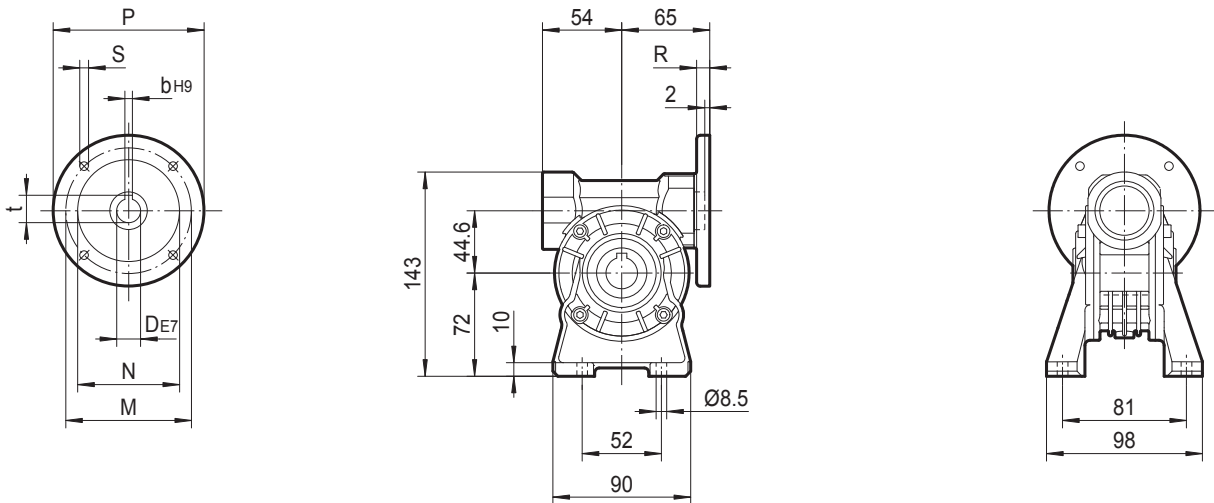
MRDB30F..



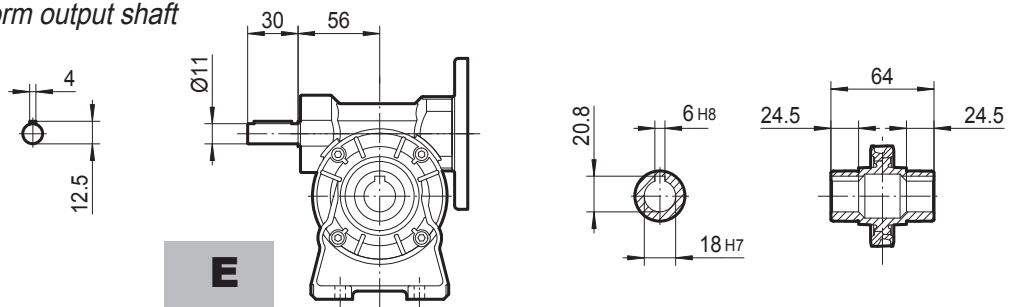
IEC	D _{E7}	b	t	P	M	N	R	S
56B5	9	3	10.4	120	100	80	7	7
56B14	9	3	10.4	80	65	50	7	5.5
63B5	11	4	12.8	140	115	95	8	9.5
63B14	11	4	12.8	90	75	60	7	5.5

MRDB44A.. P(IEC)

Piedi / Input adapters

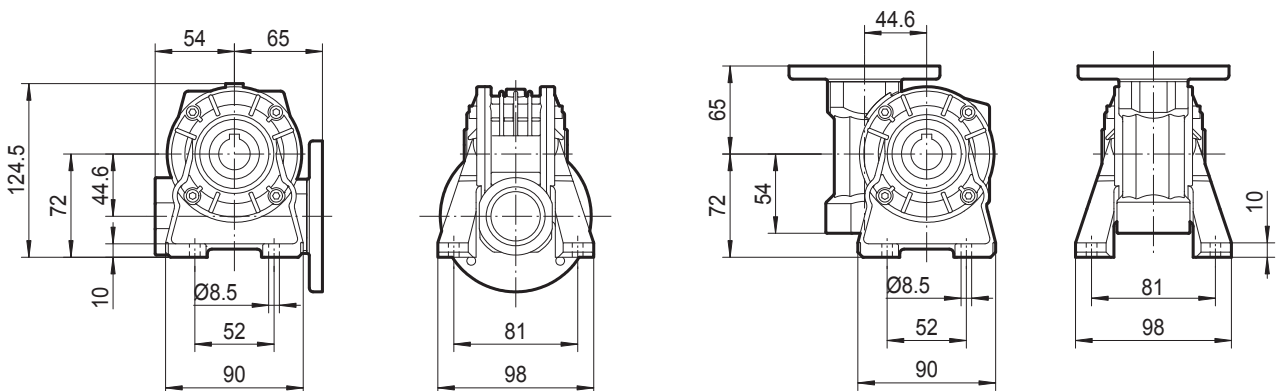


Dimensioni albero / Worm output shaft



MRDB44N..

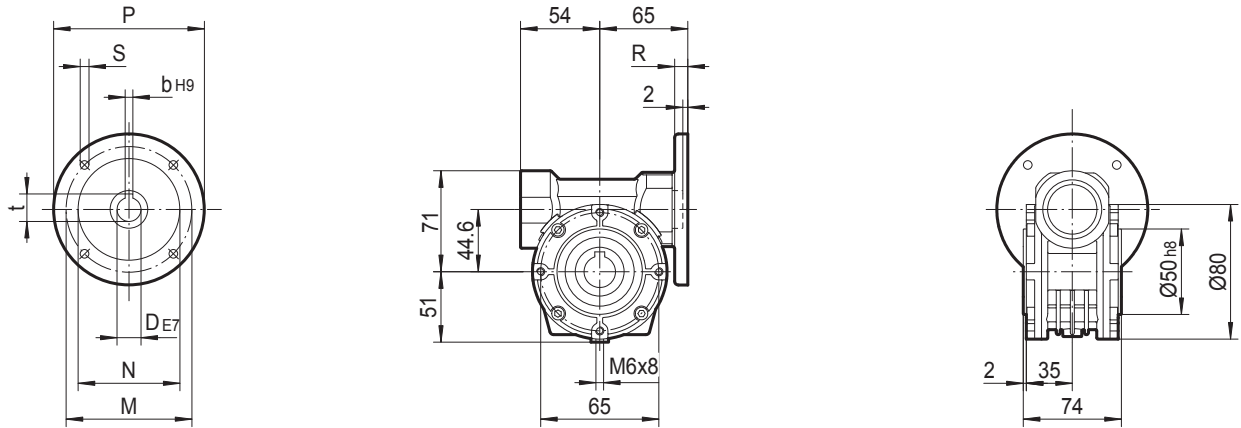
MRDB44V..



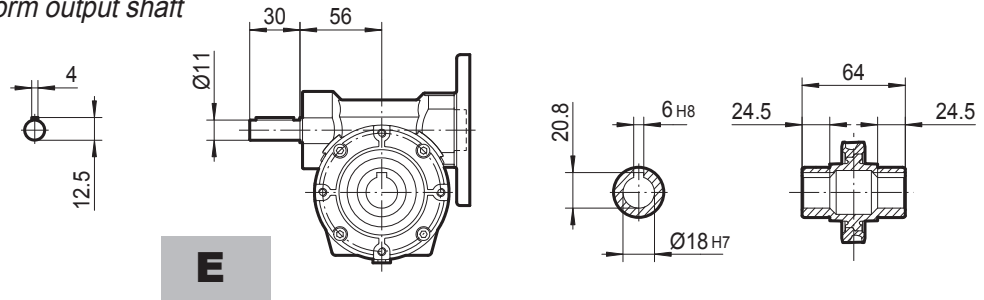
IEC	D _{E7}	b	t	P	M	N	R	S
63B5	11	4	12.8	140	115	95	10	9.5
63B14	11	4	12.8	90	75	60	8	5.5
71B5	14	5	16.3	160	130	110	10	9.5
71B14	14	5	16.3	105	85	70	10	7

MRDB44P..P(IEC)

Piedi / Input adapters

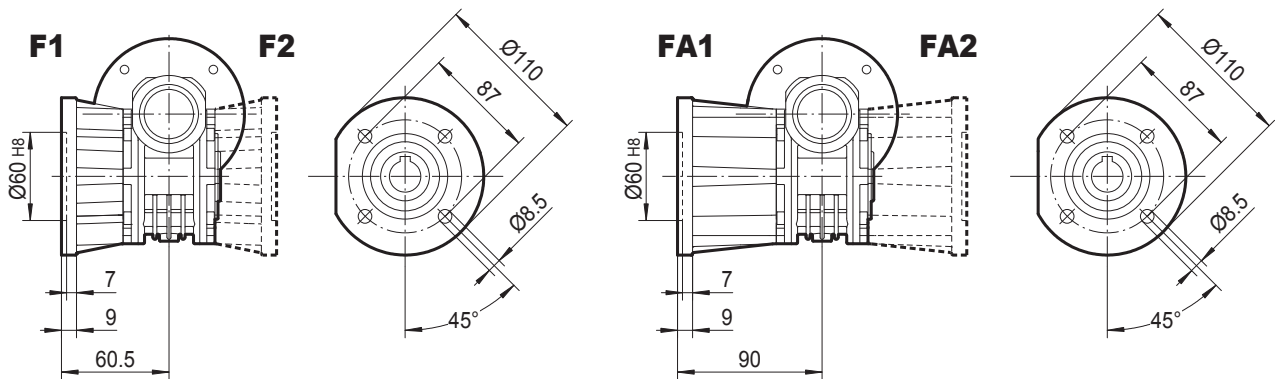


Dimensione albero / Worm output shaft



MRDB44F..

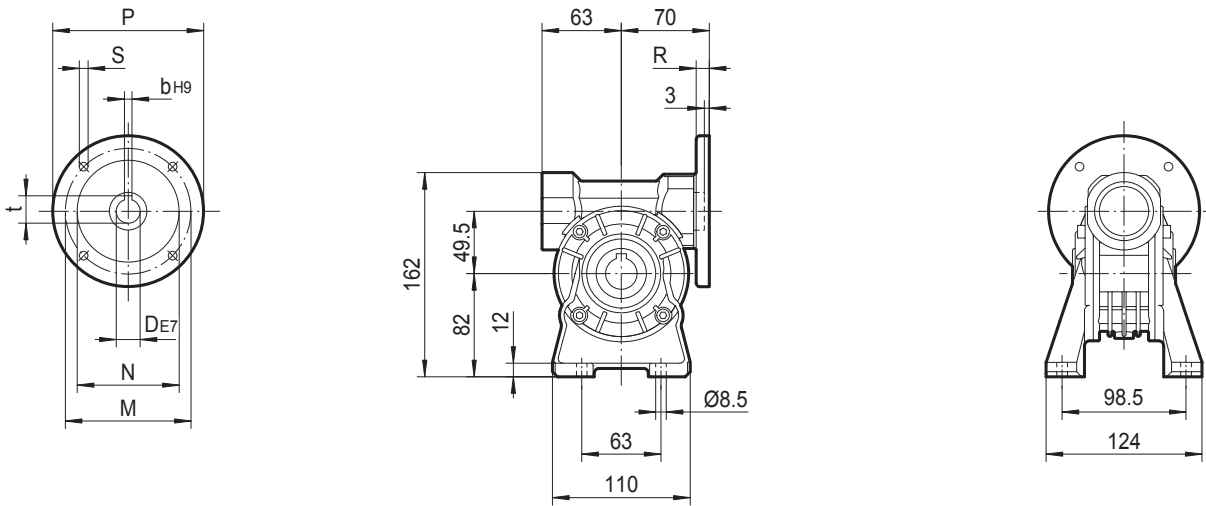
MRDB44FA..



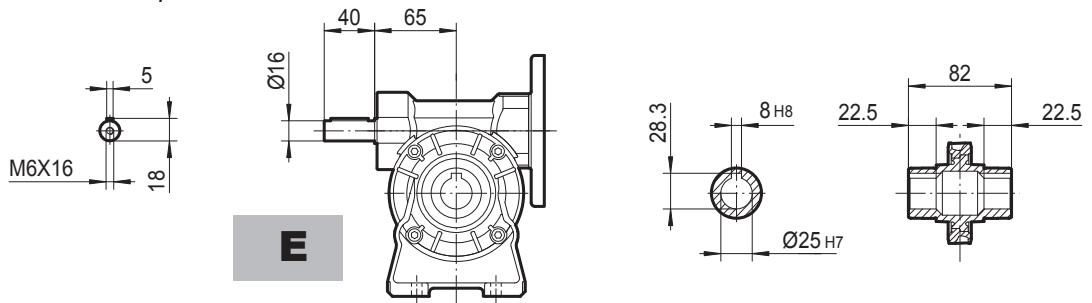
IEC	D E7	b	t	P	M	N	R	S
63B5	11	4	12.8	140	115	95	10	9.5
63B14	11	4	12.8	90	75	60	8	5.5
71B5	14	5	16.3	160	130	110	10	9.5
71B14	14	5	16.3	105	85	70	10	7

MRDV49A..P(IEC)

Piedi / Input adapters

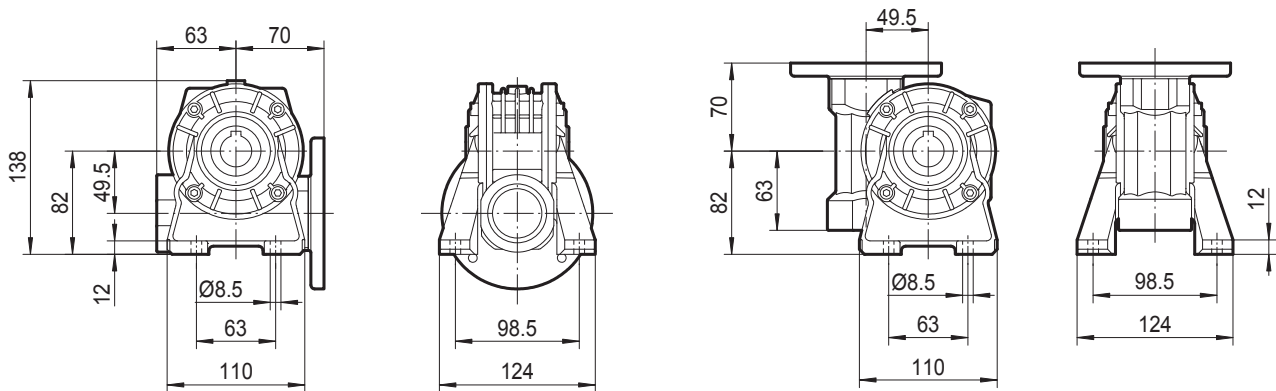


Dimensioni albero / Worm output shaft



MRDB49N..

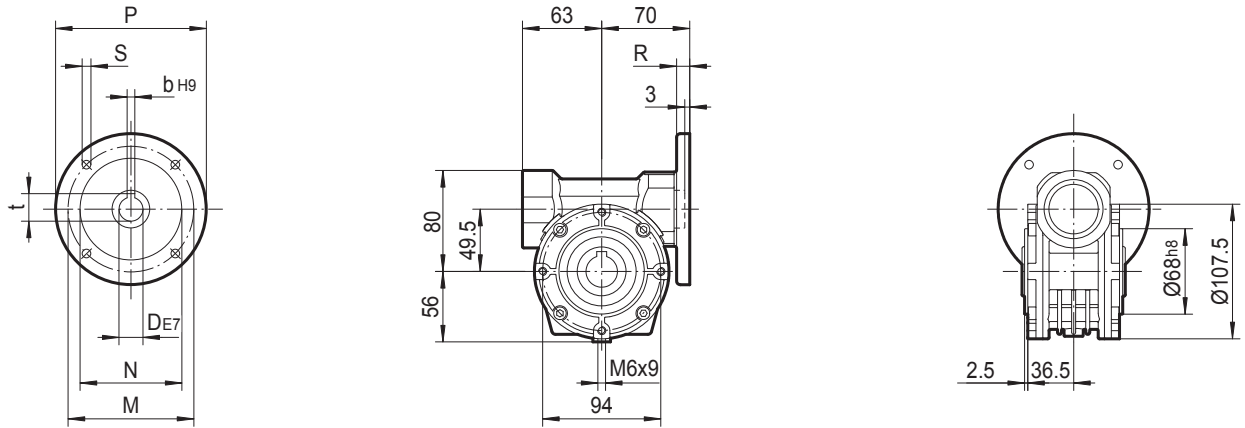
MRDB49V..



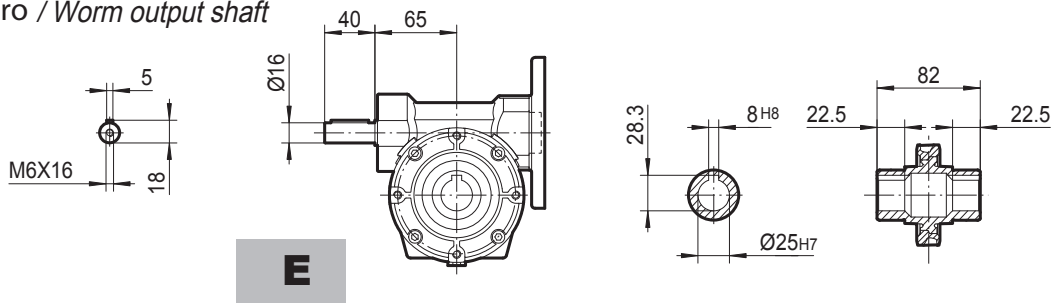
IEC	D _{E7}	b	t	P	M	N	R	S
63B5	11	4	12.8	140	115	95	10.5	9.5
63B14	11	4	12.8	90	75	60	7	6
71B5	14	5	16.3	160	130	110	10.5	9.5
71B14	14	5	16.3	105	85	70	10.5	6.5
80B5	19	6	21.8	200	165	130	10	11.5
80B14	19	6	21.8	120	100	80	10	7

MRDB49P..P(IEC)

Piedi / Input adapters

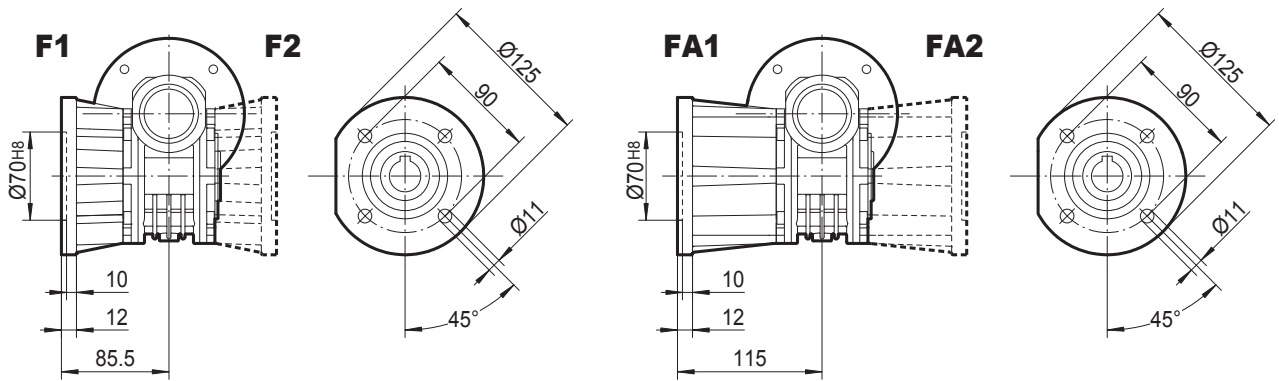


Dimensioni albero / Worm output shaft



MRDB49F..

MRDB49FA..



IEC	D E7	b	t	P	M	N	R	S
63B5	11	4	12.8	140	115	95	10.5	9.5
63B14	11	4	12.8	90	75	60	7	6
71B5	14	5	16.3	160	130	110	10.5	9.5
71B14	14	5	16.3	105	85	70	10.5	6.5
80B5	19	6	21.8	200	165	130	10	11.5
80B14	19	6	21.8	120	100	80	10	7