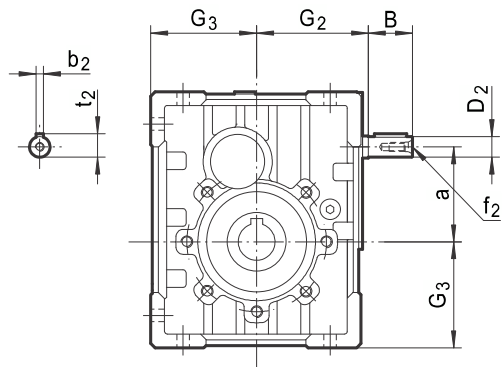
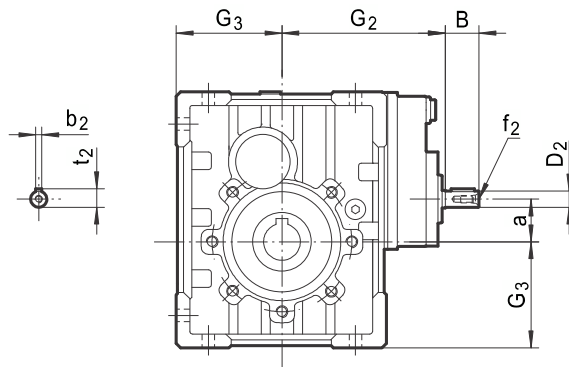


### 7.3 DKM..HS Dimensioni / Outline Dimension

#### DKM..B..HS



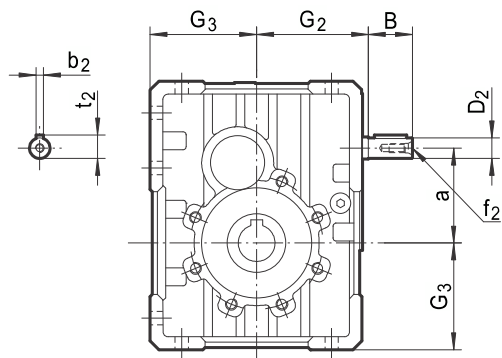
#### DKM..C..HS



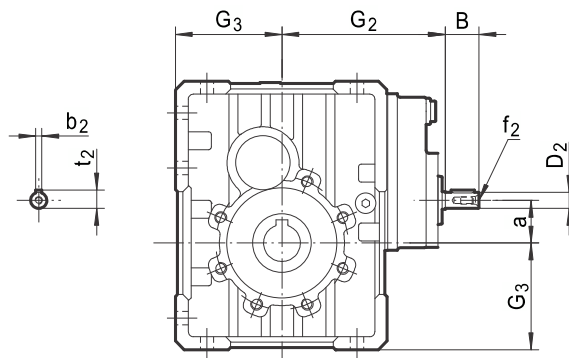
|        | B  | D <sub>2 j6</sub> | G <sub>2</sub> | G <sub>3</sub> | a    | b <sub>2</sub> | f <sub>2</sub> | t <sub>2</sub> |
|--------|----|-------------------|----------------|----------------|------|----------------|----------------|----------------|
| DKM28B | 23 | 11                | 65             | 60             | 57   | 4              | -              | 12.5           |
| DKM28C | 23 | 11                | 100            | 60             | 21.5 | 4              | -              | 12.5           |
| DKM38B | 30 | 14                | 76             | 72             | 64.5 | 5              | M6             | 16             |
| DKM38C | 23 | 11                | 111            | 72             | 29   | 4              | -              | 12.5           |
| DKM48B | 40 | 16                | 91             | 86             | 74.5 | 5              | M6             | 18             |
| DKM48C | 30 | 14                | 132            | 86             | 30.5 | 5              | M6             | 16             |
| DKM58B | 40 | 19                | 107            | 103            | 88   | 6              | M6             | 21.5           |
| DKM58C | 30 | 14                | 148            | 103            | 44   | 5              | M6             | 16             |
| DKM68B | 50 | 24                | 132            | 127.5          | 108  | 8              | M8             | 27             |
| DKM68C | 40 | 19                | 181            | 127.5          | 52   | 6              | M6             | 21.5           |

### 7.4 DKB..HS Dimensioni / Outline Dimension

#### DKB..B..HS



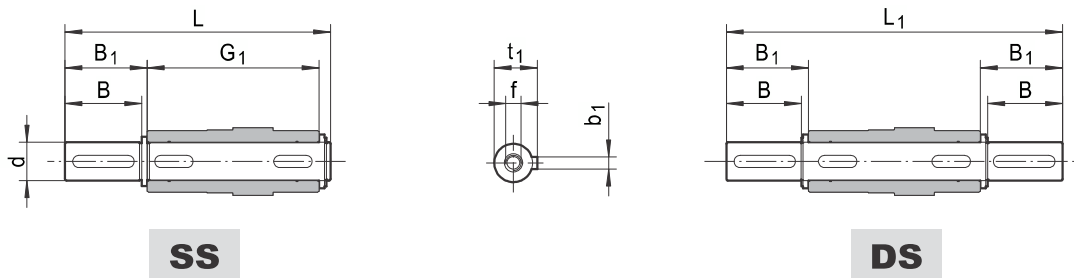
#### DKB..C..HS



|        | B  | D <sub>2 j6</sub> | G <sub>2</sub> | G <sub>3</sub> | a    | b <sub>2</sub> | f <sub>2</sub> | t <sub>2</sub> |
|--------|----|-------------------|----------------|----------------|------|----------------|----------------|----------------|
| DKB38B | 30 | 14                | 76             | 72.5           | 64.5 | 5              | M6             | 16             |
| DKB38C | 23 | 11                | 111            | 72.5           | 29   | 4              | -              | 12.5           |
| DKB48B | 40 | 16                | 91             | 87             | 74.5 | 5              | M6             | 18             |
| DKB48C | 30 | 14                | 132            | 87             | 30.5 | 5              | M6             | 16             |
| DKB58B | 40 | 19                | 107            | 100            | 88   | 6              | M6             | 21.5           |
| DKB58C | 30 | 14                | 148            | 100            | 44   | 5              | M6             | 16             |
| DKB68B | 50 | 24                | 132            | 125            | 108  | 8              | M8             | 27             |
| DKB68C | 40 | 19                | 181            | 125            | 52   | 6              | M6             | 21.5           |

8. DIMENSIONI ACCESSORI / ACCESSORIES OUTLINE DIMENSION SHEET

8.1 Albero in uscita / Output Shafts

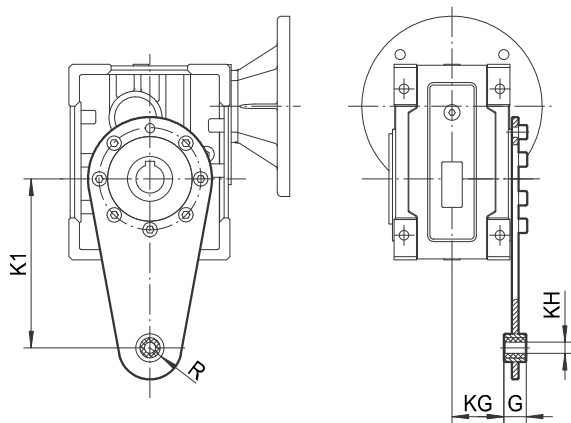


|                   | d h6 | B  | B <sub>1</sub> | G <sub>1</sub> | L   | L <sub>1</sub> | f      | b <sub>1</sub> | t <sub>1</sub> |
|-------------------|------|----|----------------|----------------|-----|----------------|--------|----------------|----------------|
| <b>DKM28</b>      | 25   | 50 | 53.5           | 92             | 153 | 199            | M10x22 | 8              | 28             |
| <b>DKM38</b>      | 25   | 50 | 53.5           | 112            | 173 | 219            | M10x22 | 8              | 28             |
| <b>DKM48</b>      | 28   | 60 | 63.5           | 120            | 192 | 247            | M10x22 | 8              | 31             |
| <b>DKM58</b>      | 35   | 80 | 84.5           | 140            | 234 | 309            | M12x28 | 10             | 38             |
| <b>DKM68</b>      | 42   | 80 | 84.5           | 155            | 249 | 324            | M16x36 | 12             | 45             |
| <b>DKB38</b>      | 25   | 60 | 65             | 120            | 192 | 246.4          | M8x19  | 8              | 28             |
| <b>DKB48_d 28</b> | 28   | 60 | 65             | 127            | 199 | 255            | M8x20  | 8              | 31             |
| <b>DKB48_d 30</b> | 30   | 60 | 65             | 127            | 199 | 255            | M10x22 | 8              | 33             |
| <b>DKB58</b>      | 35   | 60 | 65             | 140            | 214 | 268            | M12x22 | 10             | 38             |
| <b>DKB68</b>      | 42   | 75 | 80             | 155            | 244 | 313.5          | M12x28 | 12             | 45             |

\* Solo su richiesta  
\* Only on request

8.2 Braccio di reazione / Torque Arm

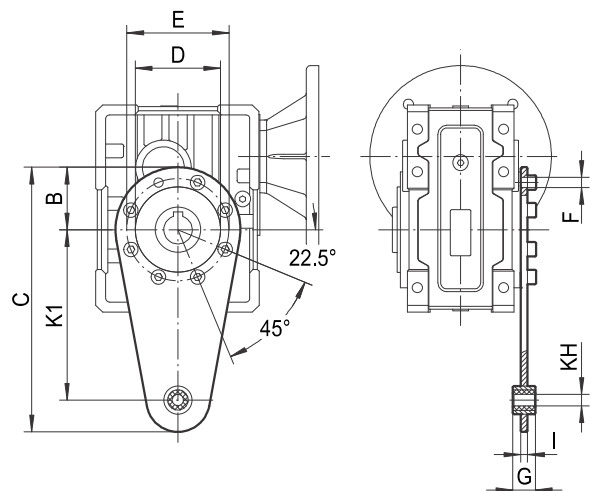
8.2.1 DKM.. Braccio di reazione / Torque Arm



|              | K1  | G  | KG   | KH | R  |
|--------------|-----|----|------|----|----|
| <b>DKM28</b> | 100 | 14 | 38.5 | 10 | 18 |
| <b>DKM38</b> | 150 | 14 | 49   | 10 | 18 |
| <b>DKM48</b> | 200 | 25 | 47.5 | 20 | 30 |
| <b>DKM58</b> | 200 | 25 | 57.5 | 20 | 30 |
| <b>DKM68</b> | 250 | 30 | 62   | 25 | 35 |

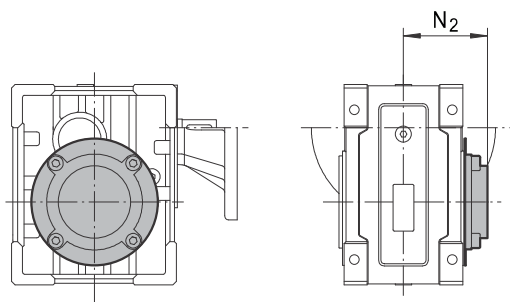
8.2.2 DKB.. Braccio di reazione / Torque Arm

|              | K1  | B   | C   | D   | E   | F  | G  | KH | I |
|--------------|-----|-----|-----|-----|-----|----|----|----|---|
| <b>DKB38</b> | 150 | 55  | 233 | 75  | 90  | 9  | 20 | 10 | 6 |
| <b>DKB48</b> | 200 | 60  | 300 | 90  | 110 | 9  | 25 | 20 | 6 |
| <b>DKB58</b> | 200 | 80  | 318 | 110 | 130 | 11 | 25 | 20 | 6 |
| <b>DKB68</b> | 250 | 100 | 388 | 130 | 165 | 13 | 25 | 20 | 6 |



### 8.3 Coprimozzo / Cover

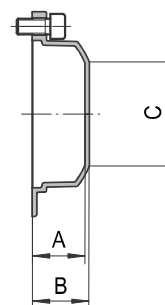
#### 8.3.1 DKM.. Coprimozzo / Cover



|              | N <sub>2</sub> |
|--------------|----------------|
| <b>DKM28</b> | 63             |
| <b>DKM38</b> | 73             |
| <b>DKM48</b> | 79             |
| <b>DKM58</b> | 94             |
| <b>DKM68</b> | 102            |

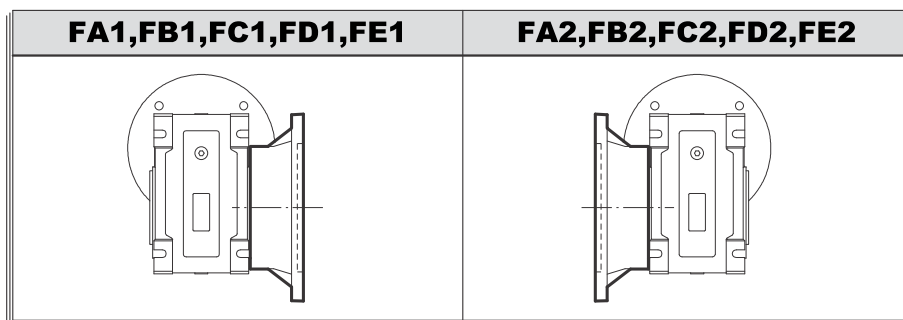
#### 8.3.2 DKB.. Coprimozzo / Cover

|              | A    | B  | C   |
|--------------|------|----|-----|
| <b>DKB38</b> | 26.5 | 29 | Φ35 |
| <b>DKB48</b> | 24.5 | 27 | Φ54 |
| <b>DKB58</b> | 26.5 | 29 | Φ71 |
| <b>DKB68</b> | 27.5 | 30 | Φ89 |



## 9. POSIZIONI DI MONTAGGIO / INSTALLATION POSITIONS DIAGRAM

### 9.1 Posizioni di montaggio flangia uscita / Position diagram for output flange



Senza indicazione specifica, il riduttore verrà fornito con la flangia in uscita posizione F1 riferimento posizione B3.

Unless specified otherwise, the gear units is supplied with the flange in pos. F.1 referred to position B3.

### 9.2 Posizioni albero in uscita / Position diagram for single output shaft

