

- SERIE MRDV -

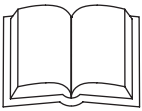
Riduttori a Vite Senza Fine -

MRDV Series Worm-Gear Speed Reducers



ELLE.GI SRL

Organi di Trasmissione

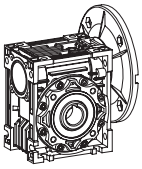


MRDV-MRDV / RDV-MRDV			
AS1	AS2	VS1	VS2
PS1	PS2	BS1	BS2


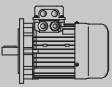

Nel caso non venga specificata la posizione di montaggio, viene considerata standard quella in BS2.

The position of the 1st reducer with respect to the 2nd gear reducer depends on the versions. Unless specified at the time of order, combination groups will be supplied in version BS2. The specified mounting position refers to the 2nd gear reducer, see page 17 for the possible mounting positions.

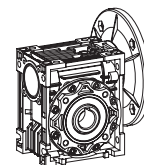
UDL-MRDV			
MRDV...U-B3	B6	V5	V6
B8	B7		


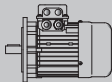



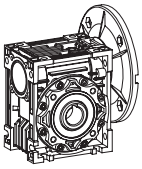
PRESTAZIONI - PERFORMANCE PARAMETER

P_1 [kW]	n_2 [min ⁻¹]	M_2 [Nm]	i	Fr_2 [N]	fs			
0.06	186.7	2.6	7.5	503	4.2	MRDV025	5614	58
	140	3.4	10	553	3.5			
	93.3	4.9	15	633	2.5			
	70	6.1	20	697	2			
	46.7	8.2	30	798	1.6			
	35	10	40	878	1.3			
	28	12	50	946	0.9			
23.3	14	60	1006	0.7				
	186.7	2.6	7.5	683	6.9	MRDV030	5614	59
	140	3.4	10	752	5.4			
	93.3	4.7	15	861	3.8			
	70	6	20	948	3			
	56	7	25	1021	3			
	46.7	8	30	1085	2.5			
	35	9.7	40	1194	1.9			
	28	11	50	1286	1.5			
	23.3	13	60	1367	1.3			
	17.5	14	80	1504	0.9			
	14	25	100	1620	1.3	MRDV025+030	5614	71
	9.3	32	150	1830	0.9			
	7	41	200	1830	0.7			
	5.6	44	250	1830	0.8			
	4.7	59	300	3490	1.2	MRDV025+040	5614	71
	3.5	71	400	3490	0.9			
	2.8	82	500	3490	0.7			
	2.3	101	600	3490	0.6			
	1.9	116	750	3490	0.5			
	1.6	143	900	3490	0.5			
	1.2	171	1200	3490	0.4			
	0.9	197	1500	3490	0.3			
	0.8	217	1800	3490	0.3			
	0.6	268	2400	3490	0.2			
	0.5	324	3000	3490	0.2			
	0.4	294	4000	3490	0.1			
0.3	356	5000	3490	0.1				
	4.7	57	300	3490	1.3	MRDV030+040	5614	72
	3.5	70	400	3490	0.9			
	2.8	96	500	3490	0.6			
	2.3	104	600	3490	0.7			
	1.9	121	750	3490	0.6	MRDV030+040	5614	72
	1.6	139	900	3490	0.5			
	1.2	166	1200	3490	0.4			
	0.9	196	1500	3490	0.4			
	0.8	218	1800	3490	0.3			


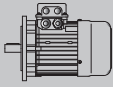

PRESTAZIONI - PERFORMANCE PARAMETER

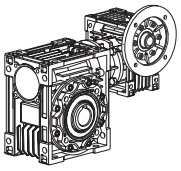


P_1 [kW]	n_2 [min ⁻¹]	M_2 [Nm]	i	Fr_2 [N]	fs						
0.06	0.58	261	2400	3490	0.2	MRDV030+040	5614	72			
	0.4	300	3200	3490	0.2						
	0.4	279	4000	3490	0.1						
	0.28	338	5000	3490	0.1						
	1.6	141	900	4840	1				MRDV030+050	5614	72
	1.2	169	1200	4840	0.7						
	0.93	199	1500	4840	0.7						
	0.78	222	1800	4840	0.7						
	0.6	266	2400	4840	0.5						
	0.5	307	3000	4840	0.4						
	0.35	288	4000	4840	0.3						
	0.29	311	4800	4840	0.3						
	0.9	204	1500	6270	1.1	MRDV030+063	5614	72			
	0.78	225	1800	6270	0.9						
	0.58	276	2400	6270	0.8						
	0.47	319	3000	6270	0.7						
	0.35	306	4000	6270	0.6						
	0.28	360	5000	6270	0.4						
	0.6	330	2400	7380	1.1	MRDV040+075	5614	73			
	0.47	377	3000	7380	0.8						
	0.35	355	4000	7380	0.7						
	0.28	419	5000	7380	0.5						
	0.5	406	3000	8180	1.4	MRDV040+090	5614	73			
	0.35	365	4000	8180	1.3						
	0.28	431	5000	8180	1						
	0.09	373.3	2	7.5	399	3.9	MRDV025	5612	58		
		280	2.6	10	439	3.4					
		186.7	3.8	15	503	2.4					
140		4.9	20	553	1.9						
93.3		6.7	30	633	1.3						
70		8.3	40	697	1.1						
56		10	50	751	0.9						
186.7		3.9	7.5	503	2.8	MRDV025				5624	58
140		5.1	10	553	2.4						
93.3		7.3	15	633	1.6						
70		9.2	20	697	1.3						
46.7		12	30	798	1.1						
35		15	40	878	0.9						
373.3		2	7.5	542	6.5		MRDV030	5612	59		
280		2.6	10	597	5						
186.7		3.7	15	683	3.5						
140		4.8	20	752	2.5						



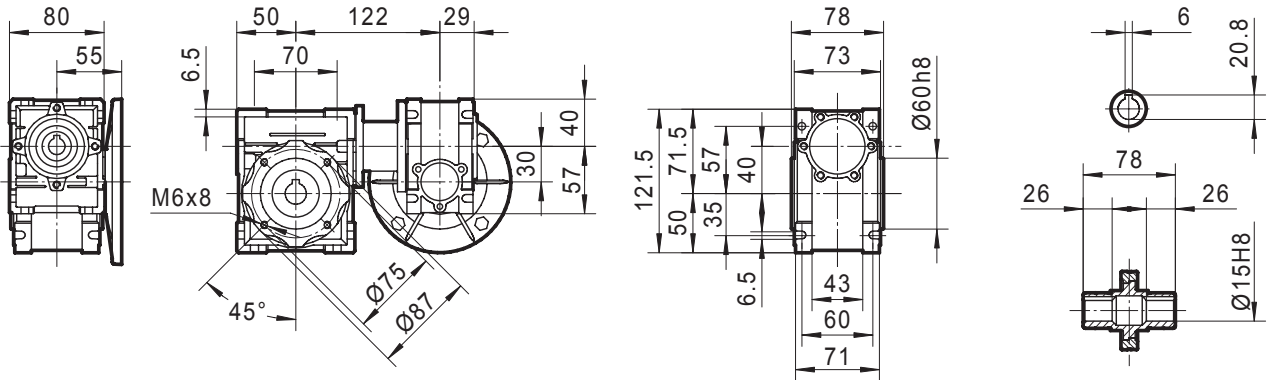
PRESTAZIONI - PERFORMANCE PARAMETER

P_1 [kW]	n_2 [min ⁻¹]	M_2 [Nm]	i	Fr_2 [N]	fs			
0.09	112	5.7	25	810	2.8	MRDV030	5612	59
	93.3	6.5	30	861	2.3			
	70	8.1	40	948	1.7			
	56	10	50	1021	1.4			
	46.7	11	60	1085	1.1			
	35	13	80	1194	0.9			
	186.7	3.9	7.5	683	4.6	MRDV030	5624	59
	140	5	10	752	3.6			
	93.3	7.1	15	861	2.5			
	70	9	20	948	2			
	56	10	25	1021	2			
	46.7	12	30	1085	1.7			
	35	14	40	1194	1.2			
	28	17	50	1286	1			
	23.3	19	60	1367	0.9			
28	20	100	1286	1.6	MRDV025+030	5612	71	
18.7	25	150	1472	1.1				
14	33	200	1620	0.9				
14	38	100	1620	0.8	MRDV025+030	5624	71	
9.3	49	150	1830	0.6				
7	62	200	1830	0.5				
5.6	66	250	1830	0.5				
4.7	75	300	1830	0.4				
3.5	107	400	1830	0.3				
2.8	115	500	1830	0.3				
2.3	135	600	1830	0.2				
1.9	151	750	1830	0.2				
1.6	178	900	1830	0.2				
1.2	212	1200	1830	0.1				
0.9	247	1500	1830	0.1				
0.78	304	1800	1830	0.1				
0.58	340	2400	1830	0.1				
0.47	405	3000	1830	0.1				
28	19	50	2475	2	MRDV040	5624	60	
23.3	21	60	2630	1.7				
17.5	26	80	2895	1.3				
14	29	100	3118	1				
9.3	45	300	3490	1.6	MRDV025+040	5612	71	
7	54	400	3490	1.2				
5.6	77	500	3490	0.8				
4.7	88	300	3490	0.8	MRDV030+040	5624	72	

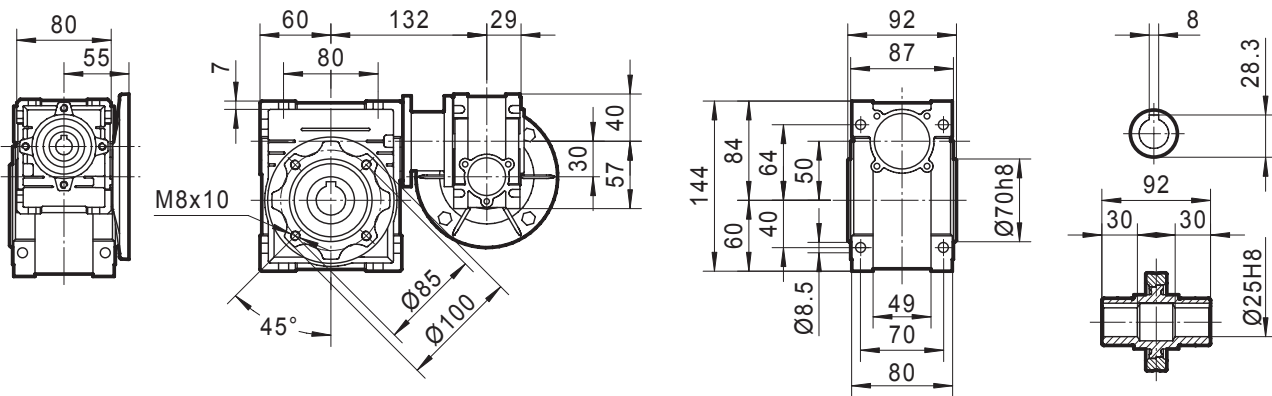


Dimensioni Combinati - MRDV SERIES DIMENSIONS

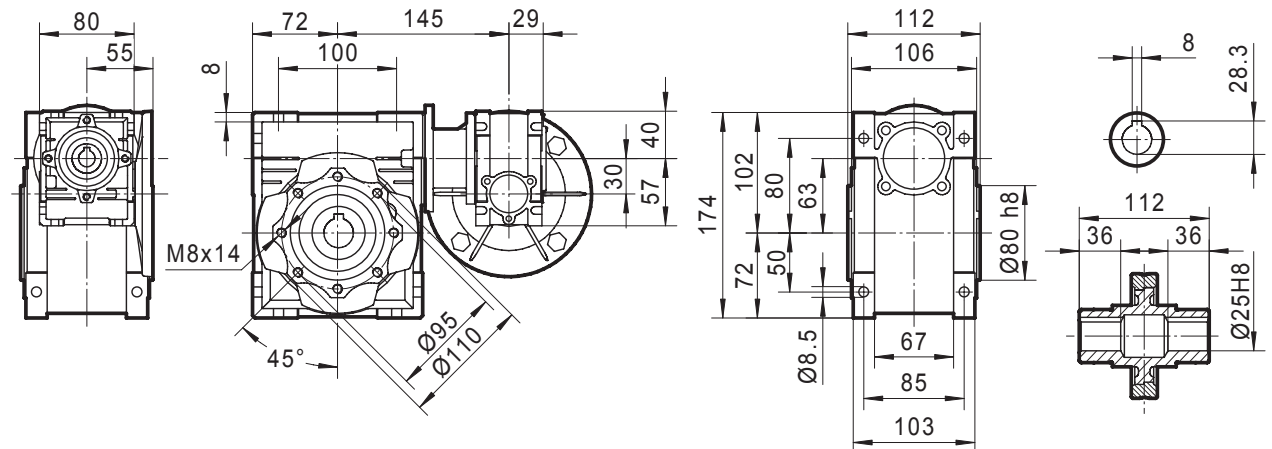
MRDV 030 + 040



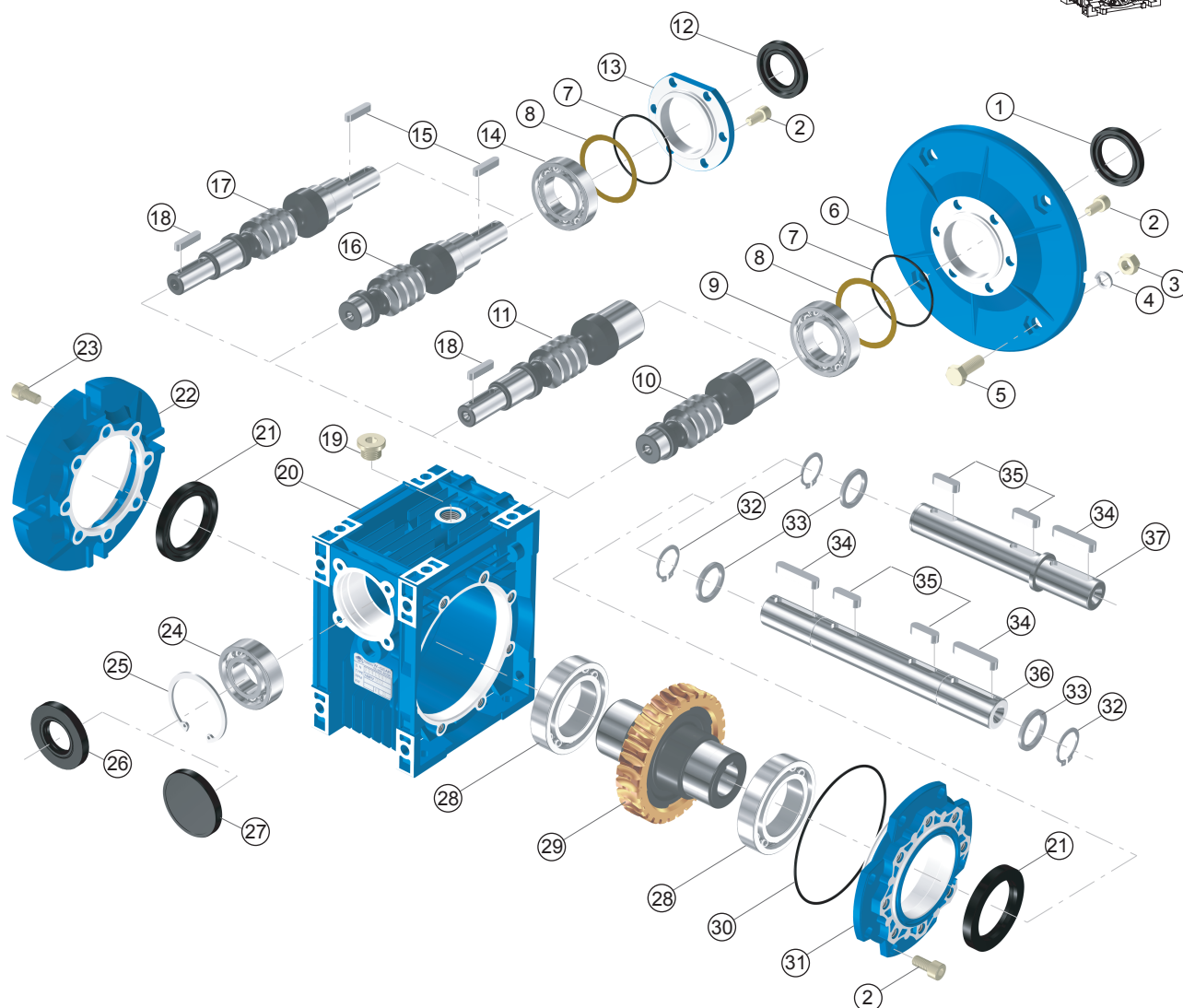
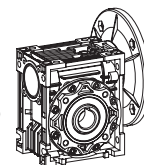
MRDV 030 + 050



MRDV 030 + 063



Esplso e parti di ricambio - EXPLODED VIEW & NAME OF PARTS



- 1. Anello di tenuta** - oil seal
- 2. Vite** - inner hex screw
- 3. Dado** - nut
- 4. Rondella** - spring washer
- 5. Bullone** - hex screw
- 6. Flangia in ingresso** - input flange
- 7. O-Ring** - O-Ring
- 8. Distanziale** - adjust spacer
- 9. Cuscinetto** - bearing
- 10. Vite forata in ingresso** - hole input worm
- 11. Vite cilindrica in ingresso e albero maschio** - hole input and shaft & output worm
- 12. Anello di tenuta** - oil seal
- 13. Coperchio in ingresso** - input cover
- 14. Cuscinetto** - Bearing
- 15. Chiavetta** - key
- 16. Albero in ingresso** - shaft input worm
- 17. Albero in ingresso e vite in uscita** - shaft input and shaft output worm
- 18. Chiavetta** - key

- 19. Tappo per olio** - oil plug
- 20. Carcassa** - casing
- 21. Anello di tenuta** - oil seal
- 22. Flangia in uscita** - output flange
- 23. Bullone** - inner hex screw
- 24. Cuscinetto** - bearing
- 25. Seeger** - hole-circlip
- 26. Anello di tenuta** - oil seal
- 27. Coperchio** - cover
- 28. Cuscinetto** - bearing
- 29. Vite** - worm wheel
- 30. O-Ring** - O-Ring
- 31. Coperchio in uscita** - output cover
- 32. Seeger albero** - shaft-circlip
- 33. Distanziale** - spacer
- 34. Chiavetta** - key
- 35. Chiavetta** - key
- 36. Albero bisporgente in uscita** - double output shaft
- 37. Albero sporgente in uscita** - single output shaft