

- SERIE MRDB -
Riduttori Vite senza Fine
Worm Gearboxes



ELLE.GI SRL

*Organi di
Trasmissione*


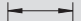


12.3 TABELLA SELEZIONE RIDUTTORI / GEAR UNIT SELECTION TABLES

12.3.1 MRDB ..P(IEC).. Prestazioni / Performance parameter

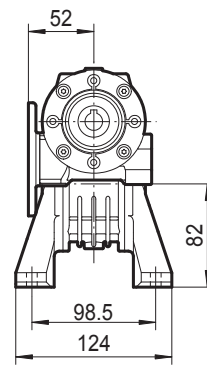
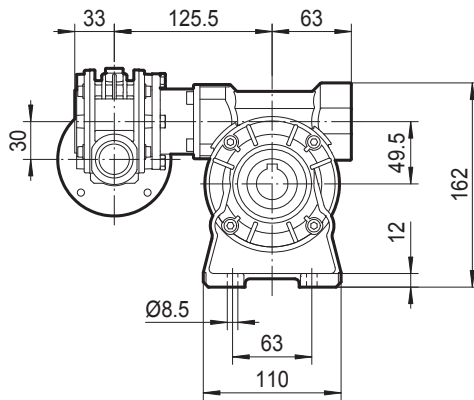
P_{1n} [kW]	n_2 [r/min]	M_{2n} [Nm]	i	F_{r2} [N]	f_s			Page						
0.06	19.3	14	70	1600	1.1	MRDB30	56B5/B14	5614	93					
	22.5	13	60	1600	1.5									
	34	10	40	1650	1.9									
	45	8	30	1340	2.5									
	68	6	20	1180	2.9									
	90	5	15	1080	3.7									
	135	3	10	950	4.7									
	193	2	7	840	6.4									
	0.09	2.4	74	560	2500	0.8	MRDB30/44	56B5/B14	5614	100				
		3.2	62	420	2500	1.0								
		3.9	53	350	2500	1.1								
		5.5	42	245	2500	1.4								
		0.12	2	116	720	3450	0.8	MRDB30/49	56B5/B14	5614	100			
			2.5	85	540	3450	1.1							
			3.2	73	420	3450	1.3							
4.3	53		315	3450	1.8									
5.6	45		240	3450	2.1									
0.09	22.5		19	60	1600	1.0	MRDB30	56B5/B14	5624	93				
	34		15	40	1410	1.3								
	45		12	30	1290	1.6								
	68	9	20	1140	2.0									
	90	7	15	1050	2.5									
	135	5	10	920	3.1									
	193	4	7	820	4.3									
	0.12	22	22	40	1560	0.9	MRDB30	63B5/B14	6316	93				
		29.3	18	30	1440	1.2								
		44	14	20	1230	1.5								
		59	11	15	1170	1.9								
		88	8	10	1050	2.3								
		126	6	7	920	3.2								
		3.9	80	350	2500	0.7					MRDB30/44	56B5/B14	5624	99
		5.5	62	245	2500	1.0								
	0.09	12.6	38	70	2300	0.8	MRDB44	63B5/B14	6316	95				
		14.7	33	60	2300	1.2								
		19.1	28	46	2300	1.4								
		25.1	23	35	2300	1.7								
		31	19	28	2300	2.0								
		44	15	20	2300	2.6								
0.12		3.2	110	420	3450	0.9	MRDB30/49	56B5/B14	5624	100				
		4.3	80	315	3450	1.2								
		5.6	69	240	3450	1.4								
		0.09	8.8	41	100	3300	1.3	MRDB49	63B5/B14	6316	97			
	11.0		37	80	3300	1.6								
12.6	34		70	3300	1.8									
14.7	31		60	3300	2.1									
19.6	26		45	3300	2.7									
24.4	22		36	3300	3.4									
0.12	138		7	20	840	2.1	MRDB30					56B5/B14	5622	93
	275	4	10	740	3.4									
	393	3	7	660	4.7									
	0.09	33	21	40	1360	0.9	MRDB30	63B5/B14	6314	93				
		44	17	30	1250	1.2								
		66	13	20	1110	1.4								

12.3.3 MRDB/MRDB Prestazioni / *Performance parameter*

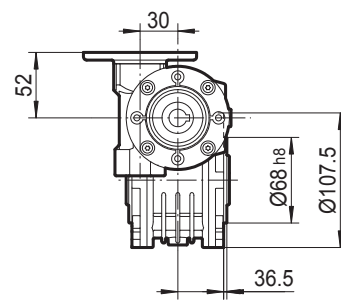
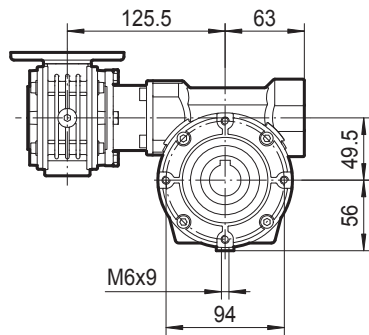
M_{2n} [Nm]	n_1 [r/min]	i	P_{1n} [kW]	n_2 [r/min]	F_{R2} [N]	F_{R1} [N]		Page 
60	1400	245	0.09	5.7	2500	140	MRDB30/44	102
60	1400	350	0.07	4.0	2500	80		
60	1400	420	0.06	3.3	2500	—		
60	1400	560	0.05	2.5	2500	—		
60	1400	700	0.04	2.0	2500	—		
60	1400	840	0.04	1.7	2500	—		
60	1400	1120	0.03	1.3	2500	—		
60	1400	1680	0.02	0.83	2500	—		
60	1400	2100	0.02	0.67	2500	—		
70	900	245	0.07	3.7	2500	150	MRDB30/44	102
70	900	350	0.05	2.6	2500	150		
70	900	420	0.04	2.1	2500	—		
70	900	560	0.04	1.6	2500	—		
70	900	700	0.03	1.3	2500	—		
70	900	840	0.03	1.1	2500	—		
70	900	1120	0.02	0.8	2500	—		
70	900	1680	0.02	0.54	2500	—		
70	900	2100	0.02	0.43	2500	—		
95	1400	240	0.13	5.8	3450	80	MRDB30/49	102
95	1400	315	0.11	4.4	3450	140		
95	1400	420	0.08	3.3	3450	—		
95	1400	540	0.07	2.6	3450	—		
95	1400	720	0.05	1.9	3450	—		
95	1400	900	0.05	1.6	3450	—		
95	1400	1120	0.04	1.3	3450	—		
95	1400	1440	0.04	0.97	3450	—		
95	1400	2160	0.03	0.65	3450	—		
95	1400	2700	0.03	0.52	3450	—		
100	900	240	0.09	3.8	3450	150	MRDB30/49	102
100	900	315	0.07	2.9	3450	150		
100	900	420	0.06	2.1	3450	—		
100	900	540	0.05	1.7	3450	—		
100	900	720	0.04	1.3	3450	—		
100	900	900	0.04	1.0	3450	—		
100	900	1120	0.03	0.80	3450	—		
100	900	1440	0.03	0.63	3450	—		
100	900	2160	0.02	0.42	3450	—		
100	900	2700	0.02	0.33	3450	—		

MRDB30/49..

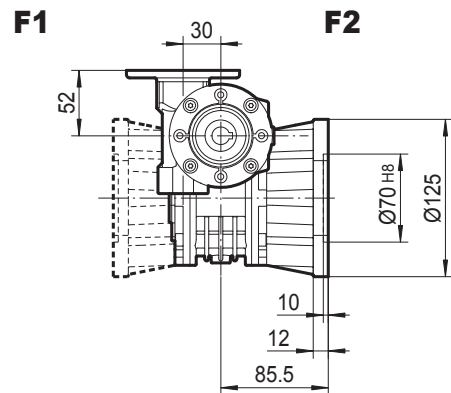
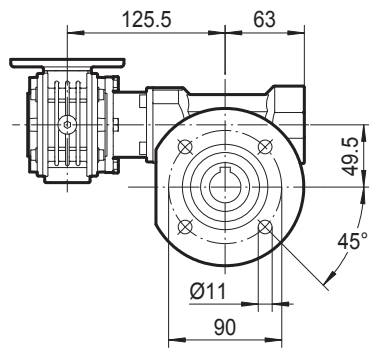
A



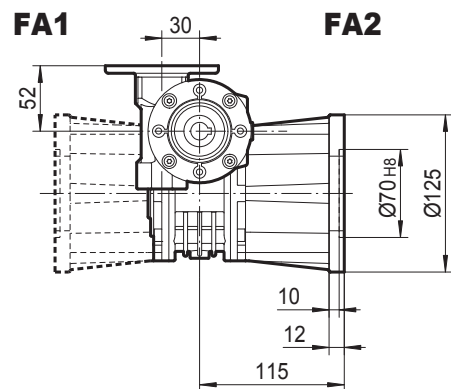
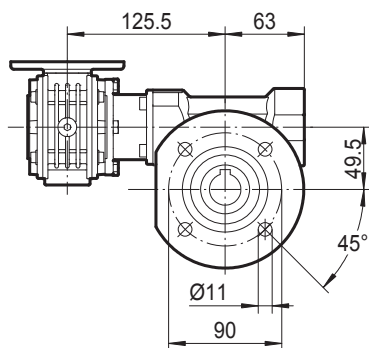
P



F_



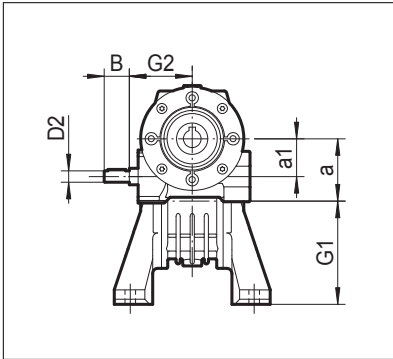
FA_



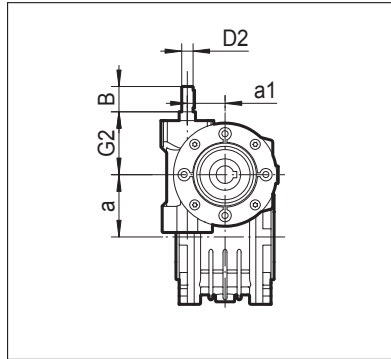
12.4.4 **MRDB/MRDB.. HS..** Dimensioni / *Outline dimension*

MRDB/MRDB ..HS..

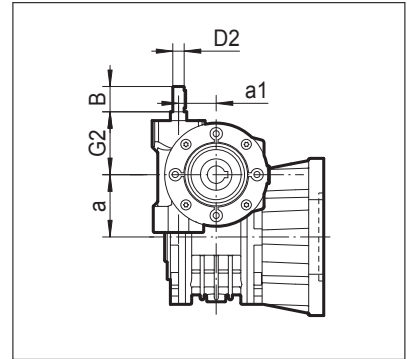
MRDB/MRDB_A..HS.



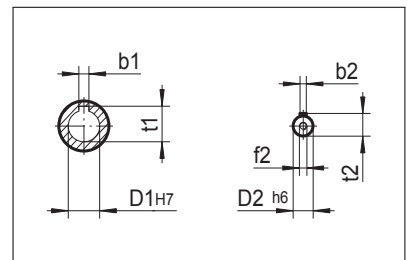
MRDB/MRDB_P..HS.



MRDB/MRDB_F..HS.



	a	a1	D1 _{H7}	t1	b1	D2 _{h6}
MRDB/MRDB 30/44_HS	44.6	30	18	20.8	6	9
MRDB/MRDV 30/49_HS	49.5	30	25	28.3	8	9
	t2	b2	B	G2	G1	f2
MRDB/MRDB 30/44_HS	10.2	3	20	50	72	—
MRDB/MRDB 30/49_HS	10.2	3	20	50	82	—



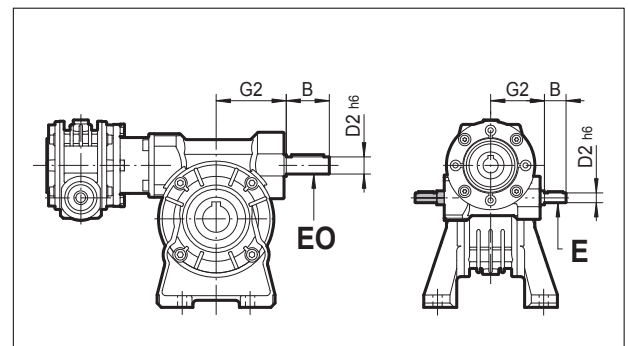
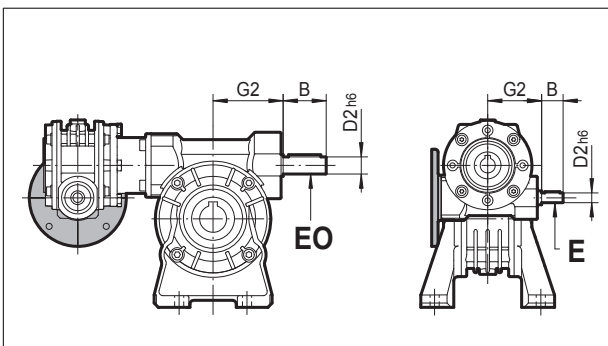
12.4.5 **MRDB/MRDB.. E(EO)..** Dimensioni / *Outline dimension*

I riduttori possono essere forniti su ordinazione con albero doppio in uscita

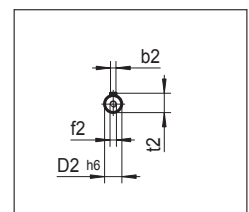
Worm gears can be optionally requested with extended wormshaft at NDE by specifying the option E or EO (for double worm combined units) at the time of order.

P(IEC)

HS



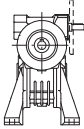
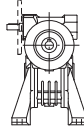

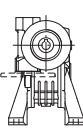
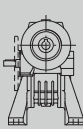
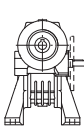
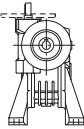
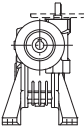
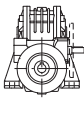
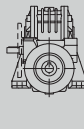
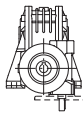
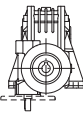
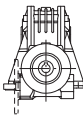
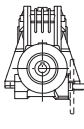
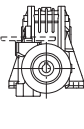
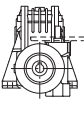
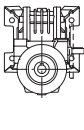
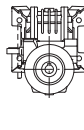
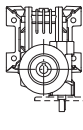
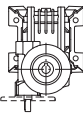
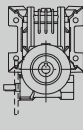
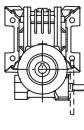
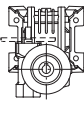
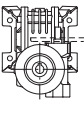
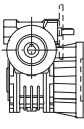
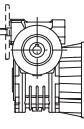
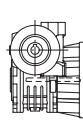
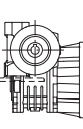
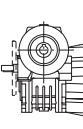
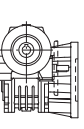
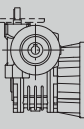
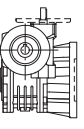
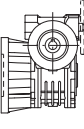
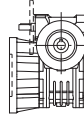


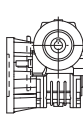
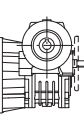
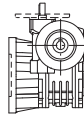
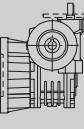
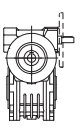
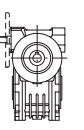
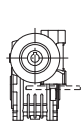
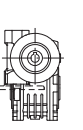
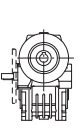
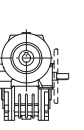
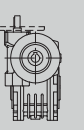
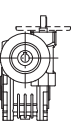
	D2 _{h6}	t2	b2	B	G2	f2
MRDB 30	9	10.2	3	20	50	-
MRDB 44	11	12.5	4	30	56	-
MRDB 49	16	18	5	40	65	M6



12.7 MRDB/MRDB.. COMBINATI / ARRANGEMENTS

Per i riduttori combinati si prega attenersi alla sottoindicata tabella in fase d'ordine

For combined worm gear units, unless otherwise specified at the time of ordering, the arrangements highlighted in grey in the diagrams below will be configured at the factory.

	MRDB1	MRDB2	MRDB3	MRDB4	MRDB5	MRDB6	MRDB7	MRDB8
A								
N								
V								
F1 FA1								
F2 FA2								
P								

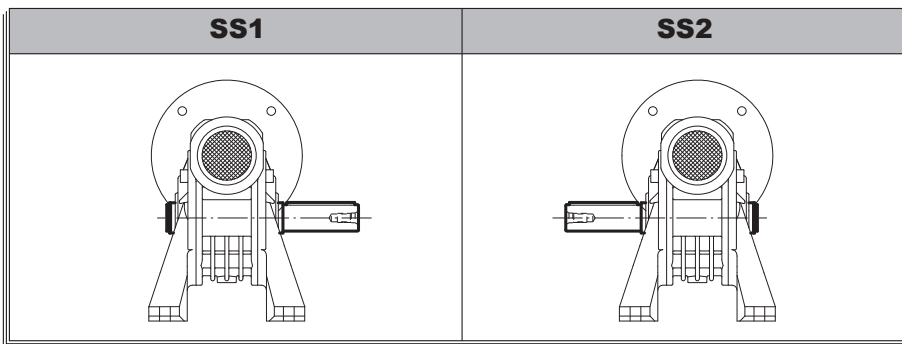
MOUNTING POSITIONS

Per combinati con riduttore serie HS tutte le posizioni di montaggio sono disponibili. Per combinati tra riduttori PAM (IEC) alcune posizioni possono essere ottenute solo con flange IEC (B5 o B14)

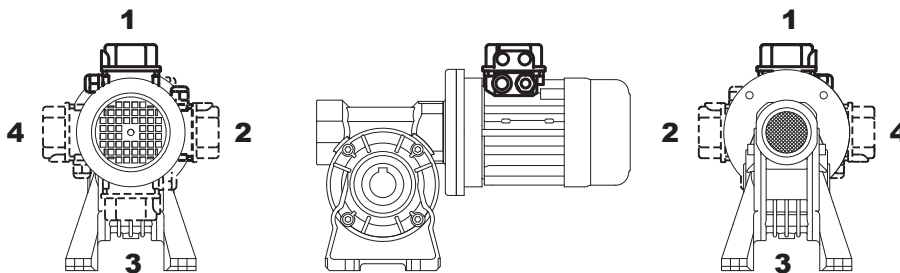
For units with the **HS** input (free shaft), all the mounting options shown are available. For units with the **P (IEC)**, certain mounting options can be obtained only by using IEC flanges (**B5** or **B14**) of the same size or smaller than those shown in tables.

		MRDB1	MRDB2	MRDB3	MRDB4	MRDB5	MRDB6	MRDB7	MRDB8
MRDB/MRDB 30/44	N	56B14-63B14	56B14-63B14	56B14-63B14	56B14-63B14	56B14-63B14	56B14-63B14	56B14-63B14	56B14-63B14
	A								
	V								
	P/F								
MRDB/MRDB 30/49	N	56B14-63B14	56B14-63B14	56B14-63B14	56B14-63B14	56B14-63B14	56B14-63B14	56B14-63B14	56B14-63B14
	A								
	V								
	P								

12.7.2 Posizioni per albero in uscita / *Position diagram for single output shaft*



12.7.3 Posizioni morsettiera / *Position of terminal box*



Specificare la posizione della morsettiera in fase d'ordine come da immagine.

In the case of specific requirements, when ordering, specify the position of the terminal box as shown in the diagram.