

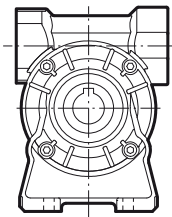
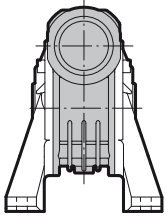
- SERIE MRDB -
Riduttori Vite senza Fine
Worm Gearboxes

ELLE.GI SRL

*Organi di
Trasmissione*

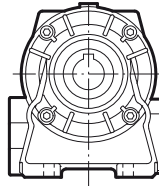
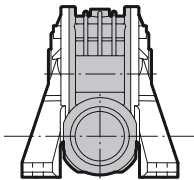


12.1.2 Illustrazione modelli / Model illuminate



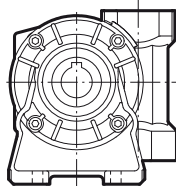
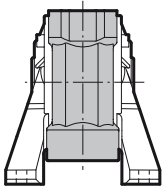
MRDB.. A..

Piedi Montati
Foot mounted



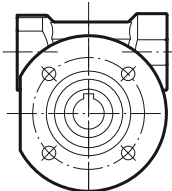
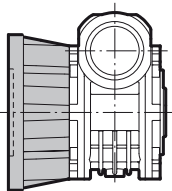
MRDB.. N..

Piedi Montati
Foot mounted



MRDB..V..

Piedi Montati
Foot mounted

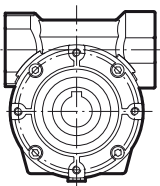
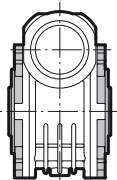


MRDB.. F..

Flangia in uscita standard
Standard output flange

MRDB.. F A..

Flangia in uscita più lunga
Extended output flange






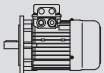
MRDB.. P..

Coperchio pendolare montato
Side cover for shaft mounting

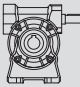
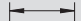
12.3 TABELLA SELEZIONE RIDUTTORI / GEAR UNIT SELECTION TABLES

12.3.1 MRDB ..P(IEC).. Prestazioni / Performance parameter

P_{1n} [kW]	n_2 [r/min]	M_{2n} [Nm]	i	F_{r2} [N]	f_s			Page			
0.06	19.3	14	70	1600	1.1	MRDB30	56B5/B14	5614	93		
	22.5	13	60	1600	1.5						
	34	10	40	1650	1.9						
	45	8	30	1340	2.5						
	68	6	20	1180	2.9						
	90	5	15	1080	3.7						
	135	3	10	950	4.7						
	193	2	7	840	6.4						
	0.09	2.4	74	560	2500	0.8	MRDB30/44	56B5/B14	5614	100	
		3.2	62	420	2500	1.0					
		3.9	53	350	2500	1.1					
		5.5	42	245	2500	1.4					
		0.12	2	116	720	3450	0.8	MRDB30/49	56B5/B14	5614	100
			2.5	85	540	3450	1.1				
			3.2	73	420	3450	1.3				
4.3	53		315	3450	1.8						
5.6	45		240	3450	2.1						
0.09	22.5		19	60	1600	1.0	MRDB30	56B5/B14	5624	93	
	34		15	40	1410	1.3					
	45		12	30	1290	1.6					
	68	9	20	1140	2.0						
	90	7	15	1050	2.5						
	135	5	10	920	3.1						
	193	4	7	820	4.3						
	0.12	22	22	40	1560	0.9	MRDB30	63B5/B14	6316	93	
		29.3	18	30	1440	1.2					
		44	14	20	1230	1.5					
		59	11	15	1170	1.9					
		88	8	10	1050	2.3					
		126	6	7	920	3.2					
		0.09	3.9	80	350	2500	0.7	MRDB30/44	56B5/B14	5624	99
			5.5	62	245	2500	1.0				
0.12	12.6		38	70	2300	0.8	MRDB44	63B5/B14	6316	95	
	14.7		33	60	2300	1.2					
	19.1		28	46	2300	1.4					
	25.1		23	35	2300	1.7					
	31		19	28	2300	2.0					
	44		15	20	2300	2.6					
	3.2		110	420	3450	0.9	MRDB30/49	56B5/B14	5624	100	
4.3	80		315	3450	1.2						
5.6	69		240	3450	1.4						
0.12	8.8		41	100	3300	1.3	MRDB49	63B5/B14	6316	97	
	11.0		37	80	3300	1.6					
	12.6		34	70	3300	1.8					
	14.7		31	60	3300	2.1					
	19.6	26	45	3300	2.7						
	24.4	22	36	3300	3.4						
	0.12	138	7	20	840	2.1					MRDB30
275		4	10	740	3.4						
393		3	7	660	4.7						
0.12		33	21	40	1360	0.9	MRDB30	63B5/B14	6314	93	
		44	17	30	1250	1.2					
		66	13	20	1110	1.4					

P_{1n} [kW]	n_2 [r/min]	M_{2n} [Nm]	i	F_{r2} [N]	f_s			6314	Page					
0.12	87	10	15	1020	1.8	MRDB30	63B5/B14	6314	93					
	131	7	10	900	2.3									
	187	5	7	810	3.1									
		29	24	30	1360	0.9	MRDB30	63B5/B14	6326	93				
		44	18	20	1250	1.1								
		58	15	15	1130	1.4								
		87	10	10	1020	1.7								
		124	8	7	900	2.4								
		18.7	34	70	3300	0.9					MRDB44	63B5/B14	6314	95
		21.8	30	60	2300	1.3								
	28.5	25	46	2300	1.6									
	37	21	35	2300	1.9									
	47	17	28	2300	2.2									
	66	13	20	2100	2.9									
	94	10	14	1870	2.9									
		14.5	42	60	2300	1.1	MRDB44	63B5/B14	6326	95				
		19	36	46	2300	1.4								
		25	30	35	2300	1.7								
		31	25	28	2300	2.0								
		44	19	20	2300	2.3								
		62	14	14	2150	2.7								
	4.2	110	315	3450	0.9	MRDB30/49	63B5/B14	6314	100					
	5.5	94	240	3450	1.0									
	13.1	42	100	3150	1.2	MRDB49	63B5/B14	6314	97					
	16.4	36	80	3150	1.5									
	18.7	34	70	3150	1.6									
	21.8	30	60	3150	1.9									
	29.1	25	45	3040	2.6									
	36	21	36	2830	3.3									
	8.7	55	100	3300	0.9					MRDB49	63B5/B14	6326	97	
	10.9	50	80	3300	1.2									
0.18	90	13	30	1020	1.1	MRDB30	63B5/B14	6312	93					
	135	10	20	900	1.4									
	180	8	15	800	1.8									
	270	5	10	710	2.2									
	386	4	7	640	3.1									
		66	19	20	1040	1.0	MRDB30	63B5/B14	6324	93				
		88	15	15	960	1.2								
		132	11	10	860	1.5								
		189	8	7	770	2.1								
		45	24	60	2300	1.2	MRDB44	63B5/B14	6312	95				
		59	20	46	2190	1.4								
		77	16	35	1970	1.8								
		96	14	28	1770	2.1								
		135	10	20	1590	2.8								
		193	7	14	1470	2.9								
			22	45	60	2300					0.9	MRDB44	63B5/B14	6324
	29		37	46	2500	1.1								
	38		31	35	2430	1.3								
	47		26	28	2270	1.5								
	66		20	20	2040	1.9								
	94		15	14	1830	2.0								
132	11		10	1640	2.7									
	26		43	35	2340	1.1	MRDB44	71B5/B14	7116	95				
	32	36	28	2290	1.4									
	45	28	20	2050	1.6									
	64	21	14	1830	1.9									
	90	16	10	1650	2.5									

12.3.2 MRDB..HS.. Prestazioni / Performance parameter

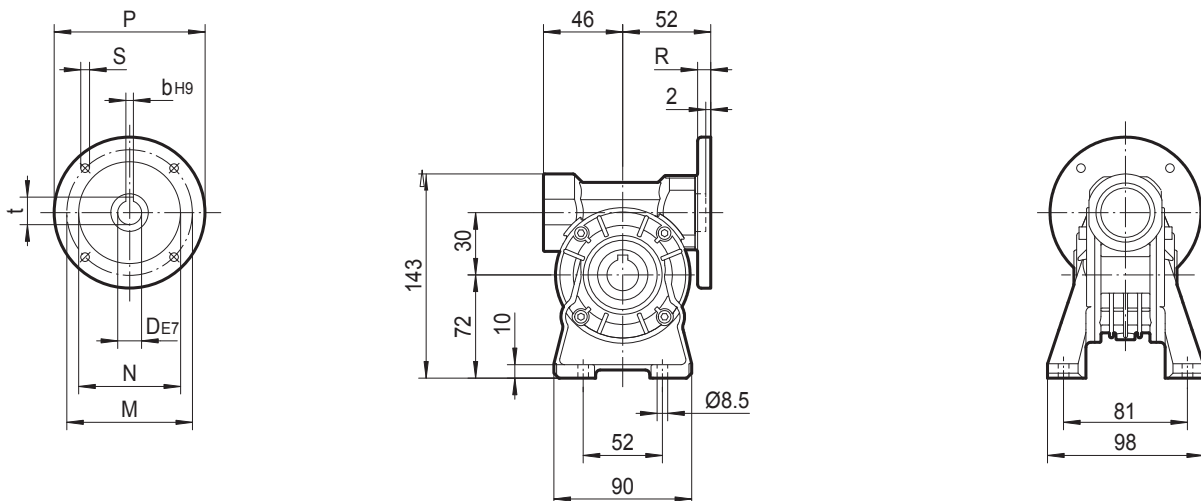
M_{2n} [Nm]	n_1 [r/min]	i	P_{1n} [kW]	n_2 [r/min]	F_{r2} [N]	F_{r1} [N]		Page 
12	2800	7	0.58	400	510	120	MRDB30	101
12	2800	10	0.41	280	620	70		
14	2800	15	0.34	187	720	—		
14	2800	20	0.26	140	820	—		
15	2800	30	0.21	93	960	—		
14	2800	40	0.16	70	1090	—		
14	2800	60	0.12	47	1270	—		
11	2800	70	0.08	40	1380	—		
16	1400	7	0.41	200	630	140	MRDB30	101
16	1400	10	0.30	140	770	80		
18	1400	15	0.24	93	910	—		
18	1400	20	0.19	70	1030	—		
20	1400	30	0.15	47	1200	—		
19	1400	40	0.12	35	1360	—		
19	1400	60	0.09	23.3	1590	—		
15	1400	70	0.07	20	1600	—		
18	900	7	0.30	129	730	150	MRDB30	101
18	900	10	0.22	90	900	150		
20	900	15	0.17	60	1060	—		
20	900	20	0.14	45	1200	—		
22	900	30	0.12	30	1400	—		
20	900	40	0.09	23	1590	—		
20	900	60	0.07	15	1650	—		
17	900	70	0.05	13	1700	—		
20	500	7	0.19	71	920	150	MRDB30	101
20	500	10	0.14	50	1120	150		
22	500	15	0.11	33	1320	150		
22	500	20	0.09	25	1490	150		
24	500	30	0.07	16.7	1700	—		
22	500	40	0.06	12.5	1700	—		
22	500	60	0.05	8.3	1700	—		
19	500	70	0.04	7	1700	—		

12.4 DIMENSIONI / OUTLINE DIMENSION SHEET

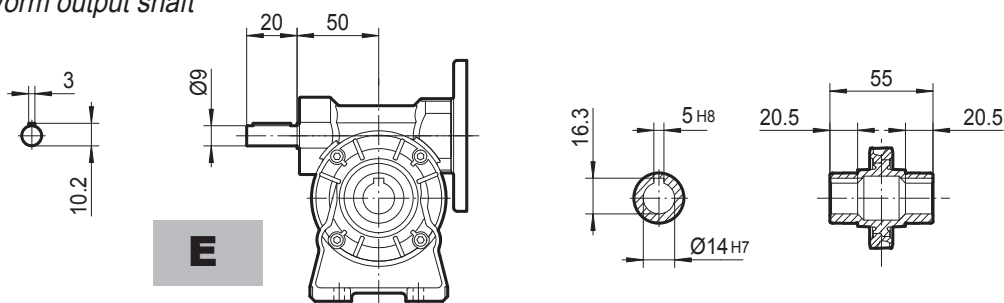
12.4.1 MRDB.. Dimensioni / Outline dimension

MRDB30A..P(IEC)

Piedi / Input adapters

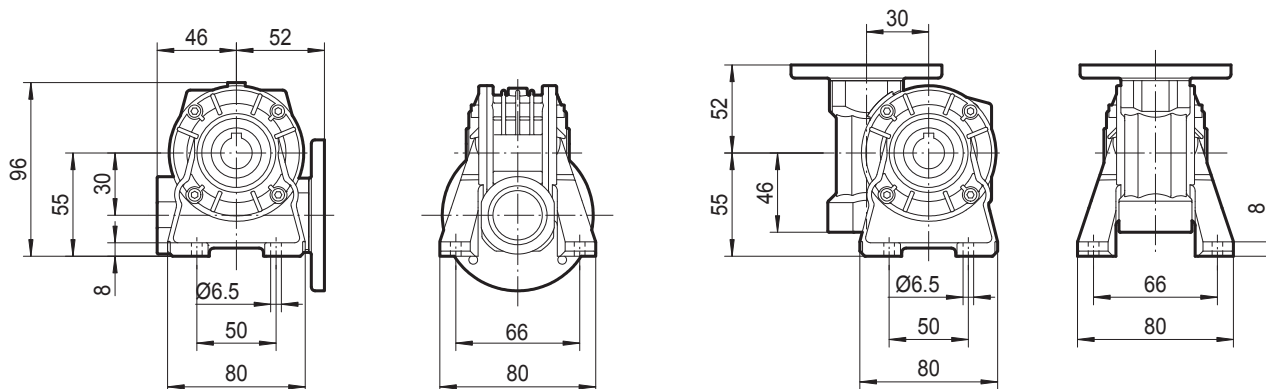


Dimensioni albero / Worm output shaft



MRDB30N..

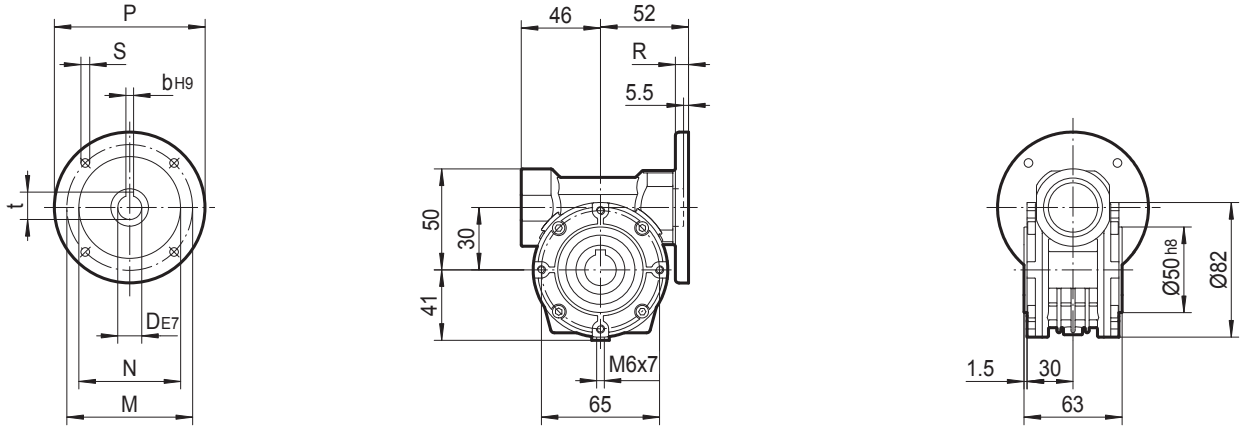
MRDB30V..



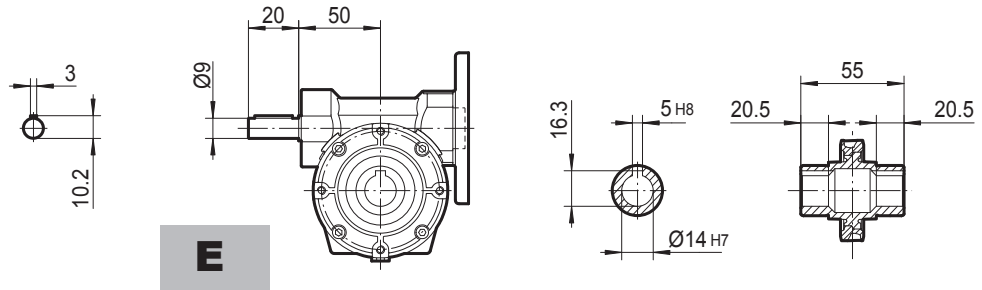
IEC	D _{E7}	b	t	P	M	N	R	S
56B5	9	3	10.4	120	100	80	7	7
56B14	9	3	10.4	80	65	50	7	5.5
63B5	11	4	12.8	140	115	95	8	9.5
63B14	11	4	12.8	90	75	60	7	5.5

MRDB 30P..P(IEC)

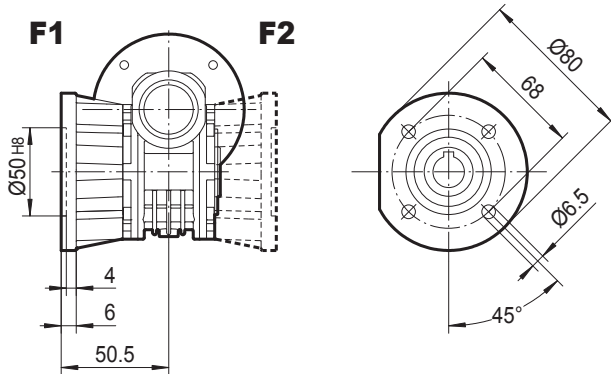
Piedi / Input adapters



Dimensioni albero / Worm output shaft



MRDB30F..

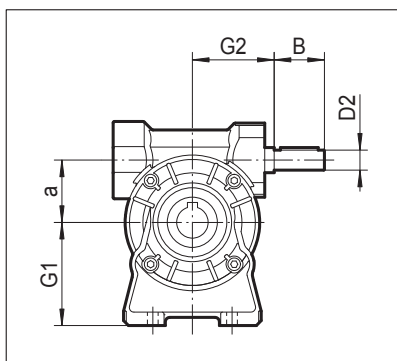


IEC	D _{E7}	b	t	P	M	N	R	S
56B5	9	3	10.4	120	100	80	7	7
56B14	9	3	10.4	80	65	50	7	5.5
63B5	11	4	12.8	140	115	95	8	9.5
63B14	11	4	12.8	90	75	60	7	5.5

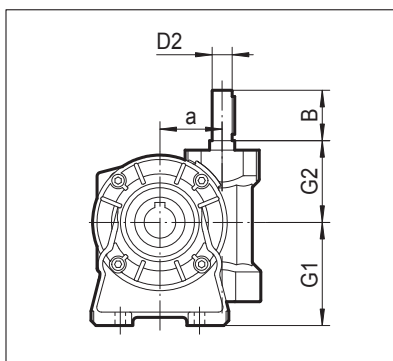
12.4.3 MRDB.. HS.. Dimensioni / Outline dimension

MRDB..HS..

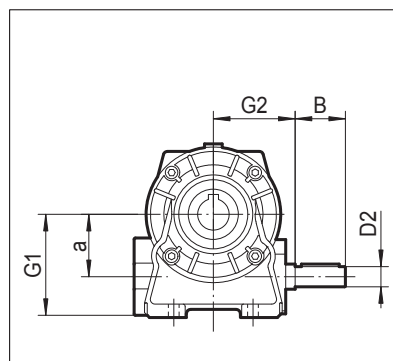
MRDB_A..HS.



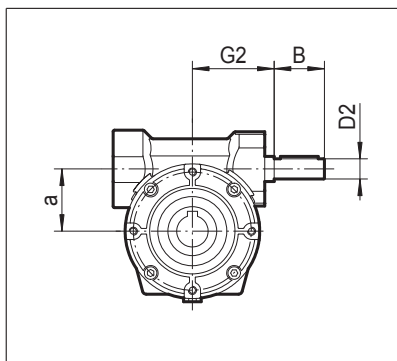
MRDB_V..HS.



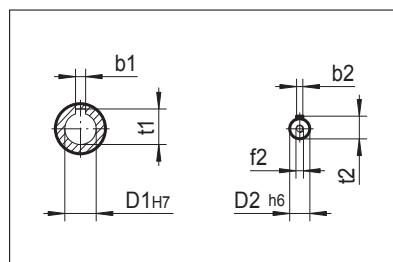
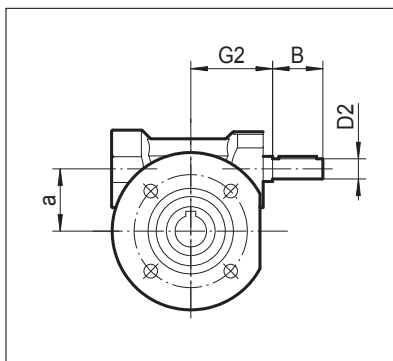
MRDB_N..HS.



MRDB_P..HS.



**MRDB_F..HS.
MRDB_FA..HS.**

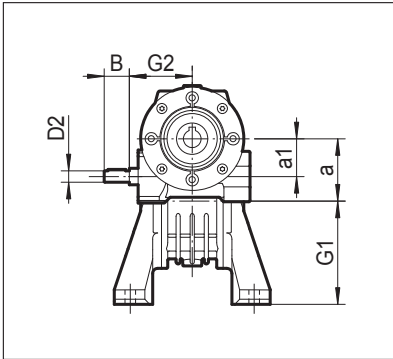


	a	D1 _{H7}	t1	b1	D2 _{h6}	t2	b2	B	G2	G1	f2
MRDB 30__HS	30	14	16.3	5	9	10.2	3	20	50	47	—
MRDB 44__HS	44.6	18	20.8	6	11	12.5	4	30	54	55	—
MRDB 49__HS	49.5	25	28.3	8	16	18	5	40	65	64.5	M6x16

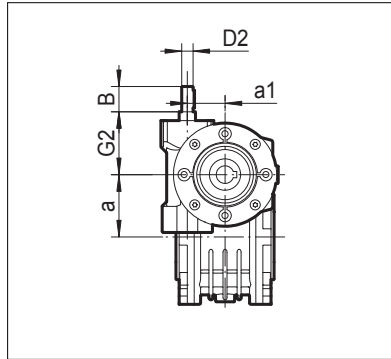
12.4.4 **MRDB/MRDB.. HS..** Dimensioni / *Outline dimension*

MRDB/MRDB ..HS..

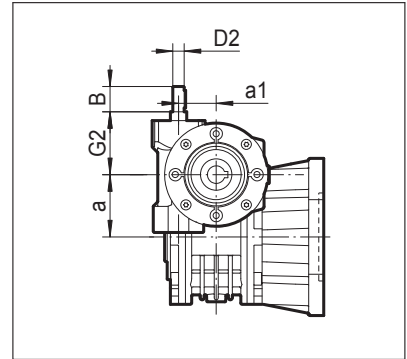
MRDB/MRDB_A..HS.



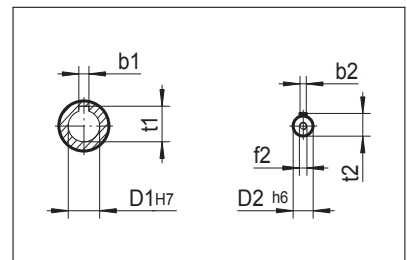
MRDB/MRDB_P..HS.



MRDB/MRDB_F..HS.



	a	a1	D1 _{H7}	t1	b1	D2 _{h6}
MRDB/MRDB 30/44_HS	44.6	30	18	20.8	6	9
MRDB/MRDV 30/49_HS	49.5	30	25	28.3	8	9
	t2	b2	B	G2	G1	f2
MRDB/MRDB 30/44_HS	10.2	3	20	50	72	—
MRDB/MRDB 30/49_HS	10.2	3	20	50	82	—



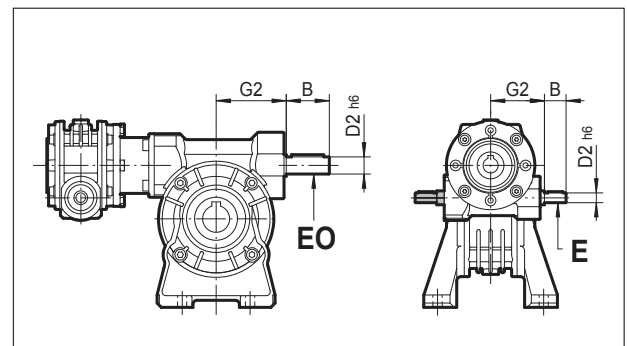
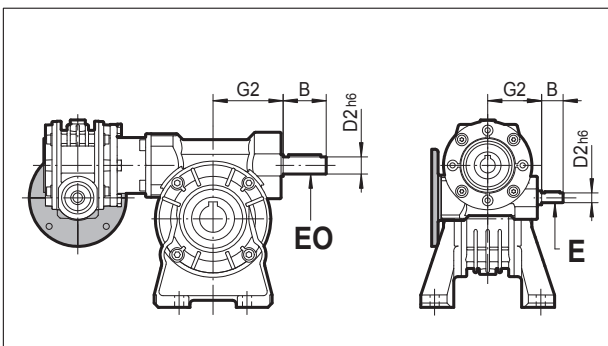
12.4.5 **MRDB/MRDB.. E(EO)..** Dimensioni / *Outline dimension*

I riduttori possono essere forniti su ordinazione con albero doppio in uscita

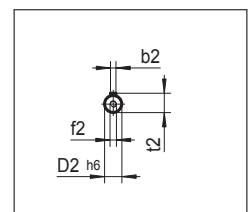
Worm gears can be optionally requested with extended wormshaft at NDE by specifying the option E or EO (for double worm combined units) at the time of order.

P(IEC)

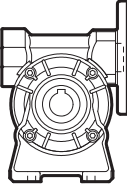
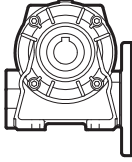
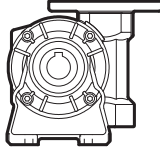
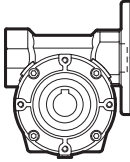
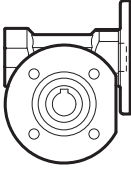
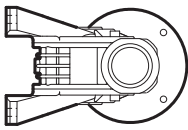
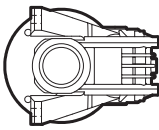
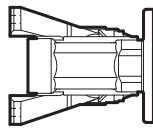
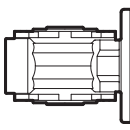
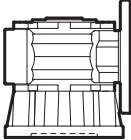
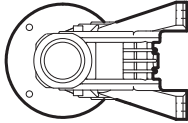
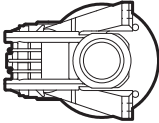
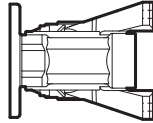
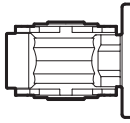
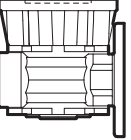
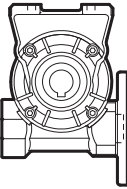
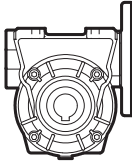
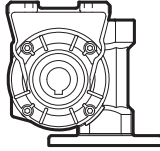
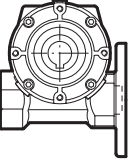
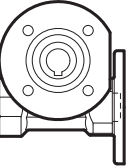
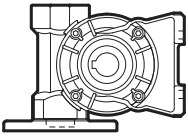
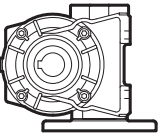
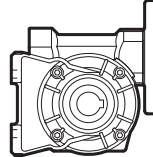
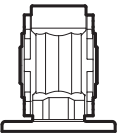
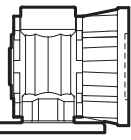
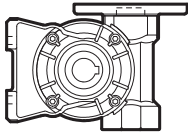
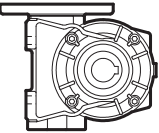
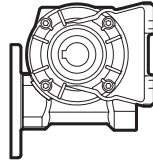
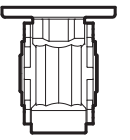
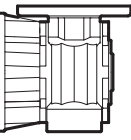
HS

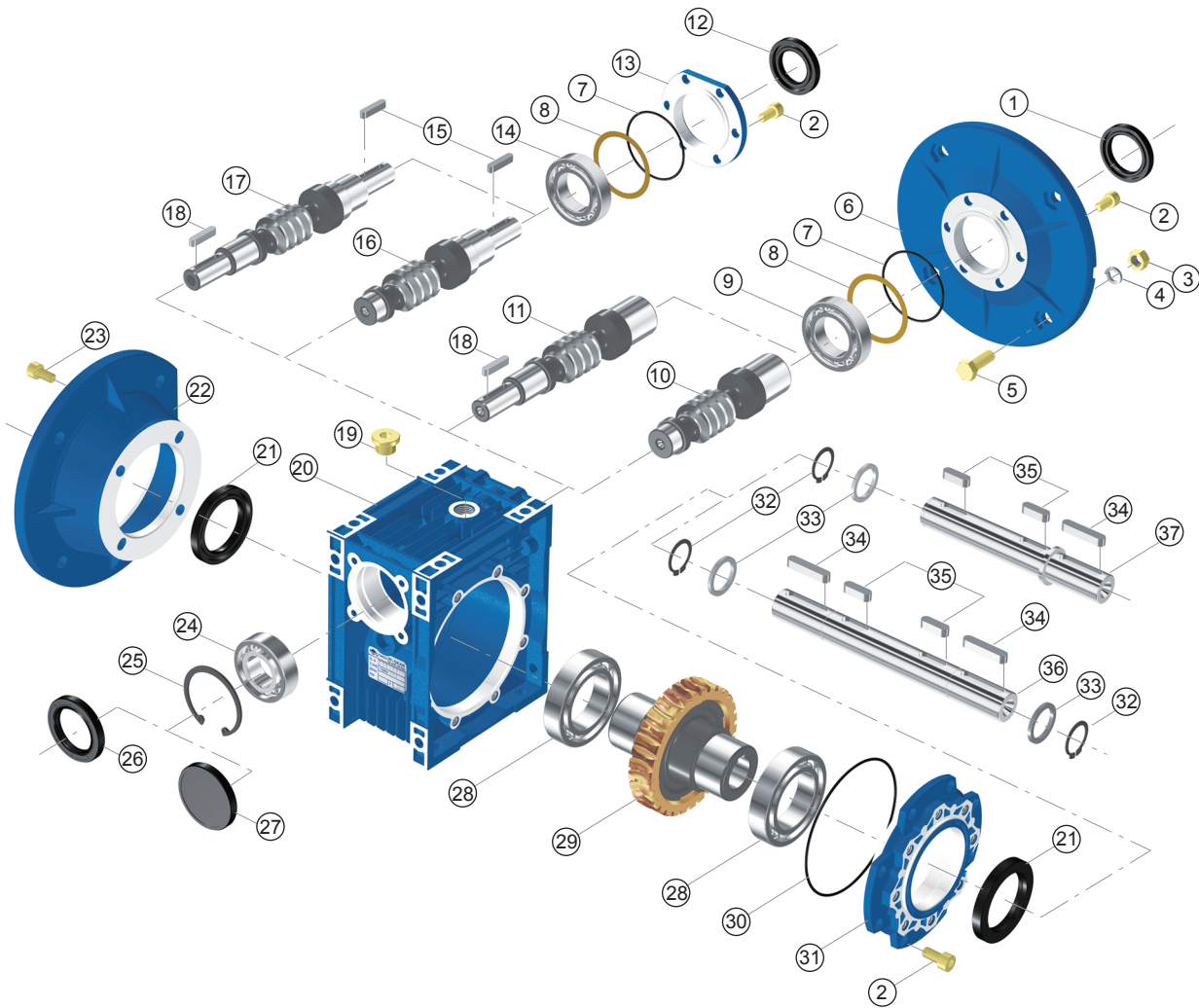


	D2 _{h6}	t2	b2	B	G2	f2
MRDB 30	9	10.2	3	20	50	-
MRDB 44	11	12.5	4	30	56	-
MRDB 49	16	18	5	40	65	M6



12.6 **MRDB..** SCHEMA POSIZIONI DI MONTAGGIO / **INSTALLATION POSITIONS DIAGRAM**

	MRDB..A	MRDB..N	MRDB..V	MRDB..P	MRDB..F
B3					
B6					
B7					
B8					
V5					
V6					



- | | | | |
|------------------------------------|-------------------------------|---------------------------------------|-------------------------|
| 1. Anello | 19. Tappo | 1. Oil seal | 19. Oil plug |
| 2. Vite | 20. Carcassa | 2. Inner hex screw | 20. Casing |
| 3. Dado | 21. Anello | 3. Nut | 21. Oil seal |
| 4. Rondella | 22. Flangia in uscita | 4. Spring washer | 22. Output flange |
| 5. Vite | 23. Vite | 5. Hex screw | 23. Inner hex screw |
| 6. Flangia in ingresso | 24. Cuscinetto | 6. Input flange | 24. Bearing |
| 7. O-Ring | 25. Seeger | 7. O-ring | 25. Hole-circlip |
| 8. Spessore | 26. Anello | 8. Adjust spacer | 26. Oil seal |
| 9. Cuscinetto | 27. Coperchio | 9. Bearing | 27. Cover |
| 10. Vite in ingresso | 28. Cuscinetto | 10. Hole input worm | 28. Bearing |
| 11. Vite in ingresso bisporgente | 29. Corona | 11. Hole input and shaft output worm | 29. Worm wheel |
| 12. Anello | 30. O-Ring | 12. Oil seal | 30. O-ring |
| 13. Coperchio | 31. Coperchio in uscita | 13. Input cover | 31. Output cover |
| 14. Cuscinetto | 32. Seeger | 14. Bearing | 32. Shaft-circlip |
| 15. Chiavetta | 33. Spessore | 15. Key | 33. Spacer |
| 16. Vite senza fine albero maschio | 34. Chiavetta | 16. Shaft input worm | 34. Key |
| 17. Vite senza fine doppia | 35. Chiavetta | 17. Shaft input and shaft output worm | 35. Key |
| 18. Chiavetta | 36. Albero in uscita doppio | 18. Key | 36. Double output shaft |
| | 37. Albero in uscita semplice | | 37. Single output shaft |