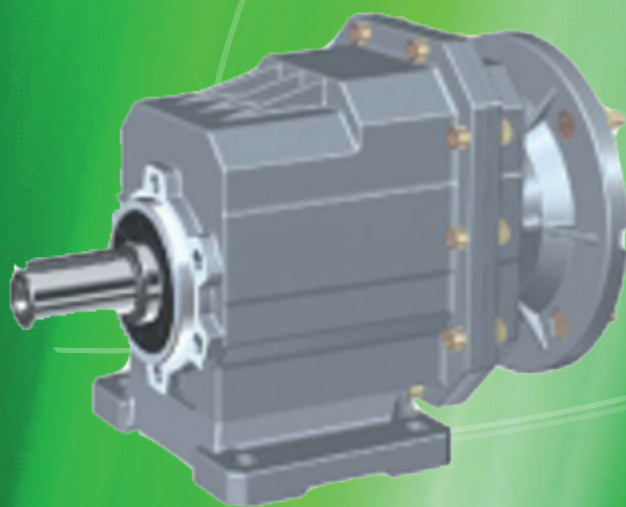


- SERIE DRC -
Riduttori Coassiali
Coaxial Gearboxes

ELLE.GI SRL

*Organi di
Trasmissione*



6. GEAR UNIT SELECTION TABLES - TABELLA DI SELEZIONE

6.1 Possible geometrical combinations - Possibili combinazioni geometriche

DRC01..

$n_1=1400$ r/min

120Nm

n_2 [r/min]	M_2max [Nm]	Fr_2 [N]	i		MX63.. 63B5	MX71.. 71B5/B14	MX80.. 80B5/B14	MX90.. 90B5/B14
26	120	2600	53.33	160 / 3				
31	120	2600	45.89	413 / 9				
35	120	2600	40.10	3248 / 81				
39	120	2560	35.47	532 / 15				
49	120	2380	28.50	770 / 27				
59	120	2230	23.56	212 / 9				
71	120	2100	19.83	119 / 6				
78	90	2030	17.86	1357 / 76				
96	120	1900	14.62	658 / 45				
101	90	1860	13.80*	69 / 5				
118	120	1770	11.90	2464 / 207				
143	120	1660	9.81	1148 / 117				
153	80	1630	9.17*	1219 / 133				
181	80	1540	7.72	1173 / 152				
246	70	1390	5.69*	1081 / 190				
302	70	1290	4.63	88 / 19				
366	70	1210	3.82*	943 / 247				

DRC02..

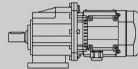
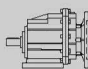
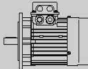
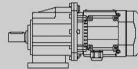
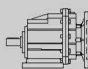
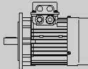
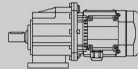
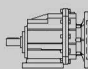
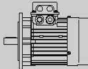
$n_1=1400$ r/min

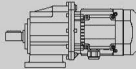
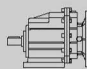
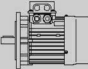
200Nm

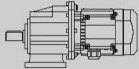
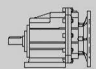
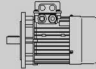
n_2 [r/min]	M_2max [Nm]	Fr_2 [N]	i		MX63.. 63B5	MX71.. 71B5/B14	MX80.. 80B5/B14	MX90.. 90B5/B14
26	200	4500	54.00	54 / 1				
30	200	4500	46.46	3717 / 80				
34	200	4500	40.60	203 / 5				
39	200	4270	35.91	3591 / 100				
48	200	3970	28.88	231 / 8				
59	200	3730	23.85	477 / 20				
70	200	3520	20.08	3213 / 160				
82	140	3330	17.10	3009 / 176				
95	200	3180	14.81	2961 / 200				
106	140	3060	13.21*	2907 / 220				
116	200	2970	12.05	1386 / 115				
141	200	2780	9.93	2583 / 260				
159	120	2670	8.78*	2703 / 308				
189	120	2520	7.39	2601 / 352				
257	100	2280	5.45*	2397 / 440				
316	100	2120	4.43	102 / 23				
383	80	1990	3.66*	2091 / 572				

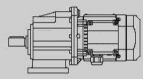
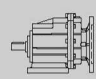
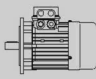
* Solo su richiesta - Only on request

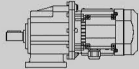
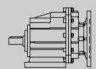
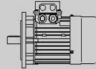
6.2 DRC..P(IEC).. Performance parameter

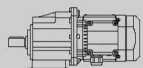
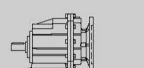

P _{1n} [kW]	n ₂ [r/min]	M _{2n} [Nm]	i	F _{r2} [N]	f _s														
							Page		Page		Page								
0.12	26	42	53.33	2600	2.9				DRC01	MX63S4	33	DRC01	63B5	6314	34				
	31	36	45.89	2600	3.3				DRCF01	MX63S4	33	DRCF01	63B5	6314	34				
	35	32	40.10	2600	3.8				DRCZ01	MX63S4	33	DRCZ01	63B5	6314	34				
	39	28	35.47	2560	4.3														
	49	22	28.50	2380	5.4														
	59	18.5	23.56	2230	6.5														
	71	15.6	19.83	2100	7.7														
	78	14.0	17.86	2030	6.4														
	96	11.5	14.62	1900	10.4														
	101	10.8	13.80*	1860	8.3														
	118	9.4	11.90	1770	12.8														
	143	7.7	9.81	1660	15.6														
	153	7.2	9.17	1630	11.1														
	181	6.1	7.72	1540	13.2														
	246	4.5	5.69	1390	15.7														
	302	3.6	4.63	1290	19.2														
	366	3.0	3.82	1210	23.3														
		16.9	65	53.33	2600				1.8	DRC01	MX63M6	33	DRC01	63B5	6326	34			
		19.6	56	45.89	2600				2.1	DRCF01	MX63M6	33	DRCF01	63B5	6326	34			
		22	49	40.10	2600				2.4	DRCZ01	MX63M6	33	DRCZ01	63B5	6326	34			
		25	43	35.47	2560				2.8										
		32	35	28.50	2380				3.4										
		38	29	23.56	2230				4.2										
		45	24	19.83	2100				5.0										
		50	22	17.86	2030				4.1										
		62	17.9	14.62	1900				6.7										
		65	16.9	13.80*	1860				5.3										
		76	14.5	11.90	1770				8.2										
		92	12.0	9.81	1660				10.0										
		98	11.2	9.17	1630				7.1										
		117	9.4	7.72	1540				8.5										
		158	7.0	5.69	1390				10.1										
		194	5.7	4.63	1290				12.4										
		236	4.7	3.82	1210				15.0										
	0.18	26	63	53.33	2600				1.9				DRC01	MX63M4	33	DRC01	63B5	6324	34
		31	54	45.89	2600				2.2				DRCF01	MX63M4	33	DRCF01	63B5	6324	34
35		47	40.10	2600	2.5	DRCZ01	MX63M4	33	DRCZ01				63B5	6324	34				
39		42	35.47	2560	2.9														
49		34	28.50	2380	3.6														
59		28	23.56	2230	4.3														
71		23	19.83	2100	5.1														
78		21	17.86	2030	4.3														
96		17.2	14.62	1900	7.0														
101		16.3	13.80*	1860	5.5														
118		14.0	11.90	1770	8.6														
143		11.6	9.81	1660	10.4														
153		10.8	9.17	1630	7.4														
181		9.1	7.72	1540	8.8														
246		6.7	5.69	1390	10.4														
302		5.5	4.63	1290	12.8														
366		4.5	3.82	1210	15.5														
		16.9	98	53.33	2600	1.2	DRC01	MX63L6	33				DRC01	71B5/B14	7116	34			
		19.6	84	45.89	2600	1.4	DRCF01	MX63L6	33				DRCF01	71B5/B14	7116	34			
		22	74	40.10	2600	1.6	DRCZ01	MX63L6	33				DRCZ01	71B5/B14	7116	34			
		25	65	35.47	2600	1.8													
		32	52	28.50	2600	2.3													
		38	43	23.56	2580	2.8													
		45	36	19.83	2440	3.3													
		50	33	17.86	2360	2.7													

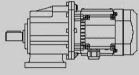
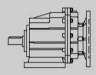
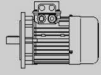
P_{1n} [kW]	n_2 [r/min]	M_{2n} [Nm]	i	F_{r2} [N]	f_s		Page			Page			
0.18	26	64	54.00*	4500	3.1	DRC02 MX63M4	36	DRC02 63B5	6324	37			
	30	55	46.46*	4500	3.7		DRCF02 MX63M4			36	6324	37	
	34	48	40.60*	4500	4.2		DRCZ02 MX63M4			36	6324	37	
	39	42	35.91*	4270	4.7								
	16.7	99	54.00*	4500	2.0	DRC02 MX63L6	36	DRC02 71B5/B14	7116	37			
	19.4	85	46.46*	4500	2.3		DRCF02 MX63L6			36	7116	37	
	22	74	40.60*	4500	2.7		DRCZ02 MX63L6			36	7116	37	
	25	66	35.91*	4500	3.0								
	31	53	28.88*	4500	3.8								
	0.25	26	87	53.33	2600	1.4	DRC01 MX63L4	33	DRC01 71B5/B14	7114	34		
		31	75	45.89	2600	1.6		DRCF01 MX63L4			33	7114	34
		35	66	40.10	2600	1.8		DRCZ01 MX63L4			33	7114	34
		39	58	35.47	2560	2.1							
		49	47	28.50	2380	2.6							
59		39	23.56	2230	3.1								
71		32	19.83	2100	3.7								
78		29	17.86	2030	3.1								
96		24	14.62	1900	5.0								
101		23	13.80*	1860	4.0								
118		19.5	11.90	1770	6.2								
143		16.1	9.81	1660	7.5								
153		15.0	9.17	1630	5.3								
181		12.6	7.72	1540	6.3								
246		9.3	5.69	1390	7.5								
302		7.6	4.63	1290	9.2								
366		6.3	3.82	1210	11.2								
16.9		136	53.33	2600	0.88	DRC01 MX71D6	33	DRC01 71B5/B14	7126	34			
19.6		117	45.89	2600	1.0		DRCF01 MX71D6			33	7126	34	
22		102	40.10	2600	1.2		DRCZ01 MX71D6			33	7126	34	
25		90	35.47	2600	1.3								
32		73	28.50	2600	1.7								
38		60	23.56	2580	2.0								
45		51	19.83	2440	2.4								
50		45	17.86	2360	2.0								
62		37	14.62	2200	3.2								
65		35	13.80*	2160	2.6								
76		30	11.90	2060	4.0								
92		25	9.81	1930	4.8								
98		23	9.17	1890	3.4								
117		19.7	7.72	1780	4.1								
158		14.5	5.69	1610	4.8								
194		11.8	4.63	1500	5.9								
236		9.7	3.82	1410	7.2								
26		88	54.00*	4500	2.3	DRC02 MX63L4	36	DRC02 71B5/B14	7114	37			
30		76	46.46*	4500	2.6		DRCF02 MX63L4			36	7114	37	
34		66	40.60*	4500	3.0		DRCZ02 MX63L4			36	7114	37	
39		59	35.91*	4270	3.4								
16.7		138	54.00*	4500	1.5	DRC02 MX71D6	36	DRC02 71B5/B14	7126	37			
19.4		118	46.46*	4500	1.7		DRCF02 MX71D6			36	7126	37	
22		103	40.60*	4500	1.9		DRCZ02 MX71D6			36	7126	37	
25		91	35.91*	4500	2.2								
31		74	28.88*	4500	2.7								

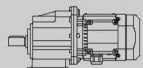
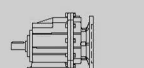
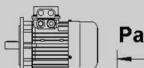
P _{1n} [kW]	n ₂ [r/min]	M _{2n} [Nm]	i	F _{r2} [N]	f _s						
							Page		Page		Page
0.37	26	129	53.33	2600	0.93	DRC01 MX71D4 DRCF01 MX71D4 DRCZ01 MX71D4	33	DRC01 71B5/B14 DRCF01 71B5/B14 DRCZ01 71B5/B14	7124	34	
	31	111	45.89	2600	1.1						
	35	97	40.10	2600	1.2						
	39	86	35.47	2560	1.4						
	49	69	28.50	2380	1.7						
	59	57	23.56	2230	2.1						
	71	48	19.83	2100	2.5						
	78	43	17.86	2030	2.1						
	96	35	14.62	1900	3.4						
	101	33	13.80*	1860	2.7						
	118	29	11.90	1770	4.2						
	143	24	9.81	1660	5.0						
	153	22	9.17	1630	3.6						
	181	18.7	7.72	1540	4.3						
	246	13.8	5.69	1390	5.1						
	302	11.2	4.63	1290	6.2						
	366	9.3	3.82	1210	7.6						
		25	134	35.47	2600						0.90
32		107	28.50	2600	1.1						
38		89	23.56	2580	1.4						
45		75	19.83	2440	1.6						
50		67	17.86	2360	1.3						
62		55	14.62	2200	2.2						
65		52	13.80*	2160	1.7						
76		45	11.90	2060	2.7						
92		37	9.81	1930	3.2						
98		35	9.17	1890	2.3						
117		29	7.72	1780	2.7						
		26	131	54.00*	4500	1.5	DRC02 MX71D4 DRCF02 MX71D4 DRCZ02 MX71D4	36	DRC02 71B5/B14 DRCF02 71B5/B14 DRCZ02 71B5/B14	7124	37
	30	113	46.46*	4500	1.8						
	34	98	40.60*	4500	2.0						
	39	87	35.91*	4270	2.3						
	48	70	28.88*	3970	2.9						
	59	58	23.85*	3730	3.5						
	70	49	20.08*	3520	4.1						
	82	41	17.10	3330	3.4						
	95	36	14.81*	3180	5.6						
	16.7	204	54.00*	4500	1.0	DRC02 MX80K6 DRCF02 MX80K6 DRCZ02 MX80K6	36	DRC02 80B5/B14 DRCF02 80B5/B14 DRCZ02 80B5/B14	8016	37	
	19.4	175	46.46*	4500	1.1						
	22	153	40.60*	4500	1.3						
	25	135	35.91*	4500	1.5						
	31	109	28.88*	4500	1.8						
	38	90	23.85*	4320	2.2						
	45	76	20.08*	4080	2.6						
	53	64	17.10	3860	2.2						
	68	50	13.21	3550	2.8						
	24	141	58.09	6000	2.1	DRC03 MX71D4 DRCF03 MX71D4 DRCZ03 MX71D4	39	DRC03 71B5 DRCF03 71B5 DRCZ03 71B5	7124	40	
	28	121	50.02	6000	2.5						
	32	106	43.75	6000	2.8						
	36	94	38.73	6000	3.2						
	40	84	34.62	5860	3.6						
	15.5	219	58.09	6000	1.4	DRC03 MX80K6 DRCF03 MX80K6 DRCZ03 MX80K6	39	DRC03 80B5/B14 DRCF03 80B5/B14 DRCZ03 80B5/B14	8016	40	
	18.0	189	50.02	6000	1.6						
	21	165	43.75	6000	1.8						
	23	146	38.73	6000	2.1						
	26	130	34.62	6000	2.3						
	32	107	28.30	6000	2.8						
	41	82	21.78	5820	3.4						

P _{1n} [kW]	n ₂ [r/min]	M _{2n} [Nm]	i	F _{r2} [N]	f _s									
							Page		Page		Page			
0.55	53	96	53.33	2320	1.2	DRC01 MX71D2	33	DRC01 71B5/B14	7122	34				
	61	83	45.89	2210	1.5		DRCF01 MX71D2				33	DRCF01 71B5/B14	7122	34
	70	72	40.10	2110	1.7		DRCZ01 MX71D2				33	DRCZ01 71B5/B14	7122	34
	79	64	35.47	2030	1.9									
	98	51	28.50	1880	2.3									
	119	42	23.56	1770	2.8									
	141	36	19.83	1670	3.4									
	157	32	17.86	1610	2.8									
	203	25	13.80*	1480	3.6									
	39	128	35.47	2560	0.94	DRC01 MX80K4	33	DRC01 80B5/B14	8014	34				
	49	103	28.50	2380	1.2		DRCF01 MX80K4				33	DRCF01 80B5/B14	8014	34
	59	85	23.56	2230	1.4		DRCZ01 MX80K4				33	DRCZ01 80B5/B14	8014	34
	71	71	19.83	2100	1.7									
	78	64	17.86	2030	1.4									
	96	53	14.62	1900	2.3									
	101	50	13.80*	1860	1.8									
	118	43	11.90	1770	2.8									
	143	35	9.81	1660	3.4									
	153	33	9.17	1630	2.4									
	181	28	7.72	1540	2.9									
	246	20	5.69	1390	3.4									
	302	16.7	4.63	1290	4.2									
	366	13.8	3.82	1210	5.1									
	38	132	23.56	2580	0.91	DRC01 MX80N6	33	DRC01 80B5/B14	8026	34				
45	111	19.83	2440	1.1	DRCF01 MX80N6		33				DRCF01 80B5/B14	8026	34	
62	82	14.62	2200	1.5	DRCZ01 MX80N6		33				DRCZ01 80B5/B14	8026	34	
65	77	13.80*	2160	1.2										
76	67	11.90	2060	1.8										
92	55	9.81	1930	2.2										
98	51	9.17	1890	1.6										
117	43	7.72	1780	1.8										
158	32	5.69	1610	2.2										
194	26	4.63	1500	2.7										
236	21	3.82	1410	3.3										
52	97	54.00*	3880	2.1	DRC02 MX71D2	36	DRC02 71B5/B14	7122	37					
60	84	46.46*	3690	2.4		DRCF02 MX71D2				36	DRCF02 71B5/B14	7122	37	
69	73	40.60*	3530	2.7		DRCZ02 MX71D2				36	DRCZ02 71B5/B14	7122	37	
78	65	35.91*	3390	3.1										
97	52	28.88*	3150	3.8										
26	194	54.00*	4500	1.0	DRC02 MX80K4	36	DRC02 80B5/B14	8014	37					
30	167	46.46*	4500	1.2		DRCF02 MX80K4				36	DRCF02 80B5/B14	8014	37	
34	146	40.60*	4500	1.4		DRCZ02 MX80K4				36	DRCZ02 80B5/B14	8014	37	
39	129	35.91*	4270	1.5										
48	104	28.88*	3970	1.9										
59	86	23.85*	3730	2.3										
70	72	20.08*	3520	2.8										
82	62	17.10	3330	2.3										
95	53	14.81*	3180	3.7										
106	48	13.21	3060	2.9										
22	227	40.60*	4500	0.88		DRC02 MX80N6				36	DRC02 80B5/B14	8026	37	
25	201	35.91*	4500	1.0	DRCF02 MX80N6		36	DRCF02 80B5/B14	8026	37				
31	162	28.88*	4500	1.2	DRCZ02 MX80N6		36	DRCZ02 80B5/B14	8026	37				
38	134	23.85*	4320	1.5										
45	113	20.08*	4080	1.8										
53	96	17.10	3860	1.5										
61	83	14.81*	3680	2.4										
68	74	13.21	3550	1.9										
103	49	8.78	3090	2.4										

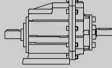
P_{1n} [kW]	n_2 [r/min]	M_{2n} [Nm]	i	F_{r2} [N]	f_s		Page			Page			
0.55	24	209	58.09	6000	1.4	DRC03 MX80K4	39	DRC03 80B5/B14	8014	40			
	28	180	50.02	6000	1.7		DRCF03 MX80K4			39	DRCF03 80B5/B14	8014	40
	32	158	43.75	6000	1.9		DRCZ03 MX80K4			39	DRCZ03 80B5/B14	8014	40
	36	139	38.73	6000	2.2								
	40	125	34.62	5860	2.4								
	49	102	28.30	5480	2.9								
	64	78	21.78	5020	3.6								
	81	62	17.33	4660	4.5								
	15.5	325	58.09	6000	0.92	DRC03 MX80N6	39	DRC03 80B5/B14	8026	40			
	18.0	280	50.02	6000	1.1		DRCF03 MX80N6			39	DRCF03 80B5/B14	8026	40
	21	245	43.75	6000	1.2		DRCZ03 MX80N6			39	DRCZ03 80B5/B14	8026	40
	23	217	38.73	6000	1.4								
	26	194	34.62	6000	1.5								
	32	159	28.30	6000	1.9								
	41	122	21.78	5820	2.3								
	52	97	17.33	5400	2.9								
	60	84	15.06	5150	3.1								
	73	69	12.37	4820	3.8								
	24	209	58.09	8000	2.4		DRC04 MX80K4			42	DRC04 80B5/B14	8014	43
	28	180	50.02	8000	2.8	DRCF04 MX80K4		42	DRCF04 80B5/B14	8014			43
	32	158	43.75	8000	3.2	DRCZ04 MX80K4		42	DRCZ04 80B5/B14	8014			43
	36	139	38.73	8000	3.6								
	40	125	34.62	7950	4.0								
	15.5	325	58.09	8000	1.5	DRC04 MX80N6	42	DRC04 80B5/B14	8026	43			
	18.0	280	50.02	8000	1.8		DRCF04 MX80N6			42	DRCF04 80B5/B14	8026	43
	21	245	43.75	8000	2.0		DRCZ04 MX80N6			42	DRCZ04 80B5/B14	8026	43
	23	217	38.73	8000	2.3								
	26	194	34.62	8000	2.6								
32	159	28.30	8000	3.2									
41	122	21.78	7890	3.9									
0.75	61	113	45.89	2210	1.1	DRC01 MX80K2	33	DRC01 80B5/B14	8012	34			
	70	98	40.10	2110	1.2		DRCF01 MX80K2			33	DRCF01 80B5/B14	8012	34
	79	87	35.47	2030	1.4		DRCZ01 MX80K2			33	DRCZ01 80B5/B14	8012	34
	98	70	28.50	1880	1.7								
	119	58	23.56	1770	2.1								
	141	49	19.83	1670	2.5								
	157	44	17.86	1610	2.1								
	192	36	14.62	1510	3.3								
	203	34	13.80*	1480	2.7								
	59	116	23.56	2230	1.0	DRC01 MX80N4	33	DRC01 80B5/B14	8024	34			
	71	97	19.83	2100	1.2		DRCF01 MX80N4			33	DRCF01 80B5/B14	8024	34
	78	88	17.86	2030	1.0		DRCZ01 MX80N4			33	DRCZ01 80B5/B14	8024	34
	96	72	14.62	1900	1.7								
	101	68	13.80*	1860	1.3								
	118	58	11.90	1770	2.1								
	143	48	9.81	1660	2.5								
	153	45	9.17	1630	1.8								
	181	38	7.72	1540	2.1								
	246	28	5.69	1390	2.5								
	302	23	4.63	1290	3.1								
	366	18.8	3.82	1210	3.7								
	62	112	14.62	2200	1.1	DRC01 MX90S6	33	DRC01 90B5/B14	90S6	34			
	76	91	11.90	2060	1.3		DRCF01 MX90S6			33	DRCF01 90B5/B14	90S6	34
	92	75	9.81	1930	1.6		DRCZ01 MX90S6			33	DRCZ01 90B5/B14	90S6	34
	98	70	9.17	1890	1.1								

P _{1n} [kW]	n ₂ [r/min]	M _{2n} [Nm]	i	F _{r2} [N]	f _s								
							Page		Page		Page		
0.75	117	59	7.72	1780	1.4	DRC01 MX90S6	33	DRC01 90B5/B14 90S6	90S6	34			
	158	43	5.69	1610	1.6		DRCF01 MX90S6				33	90B5/B14 90S6	34
	194	35	4.63	1500	2.0		DRCZ01 MX90S6				33	90B5/B14 90S6	34
	236	29	3.82	1410	2.4								
	52	133	54.00*	3880	1.5	DRC02 MX80K2	36	DRC02 80B5/B14 8012	8012	37			
	60	114	46.46*	3690	1.8		DRCF02 MX80K2				36		
	69	100	40.60*	3530	2.0		DRCZ02 MX80K2				36		
	78	88	35.91*	3390	2.3								
	97	71	28.88*	3150	2.8								
	117	59	23.85*	2960	3.4								
139	49	20.08*	2790	4.1									
164	42	17.10	2650	3.3									
30	228	46.46*	4500	0.88	DRC02 MX80N4	36	DRC02 80B5/B14 8024	8024	37				
34	199	40.60*	4500	1.0		DRCF02 MX80N4				36			
39	176	35.91*	4270	1.1		DRCZ02 MX80N4				36			
48	142	28.88*	3970	1.4									
59	117	23.85*	3730	1.7									
70	99	20.08*	3520	2.0									
82	84	17.10	3330	1.7									
95	73	14.81*	3180	2.7									
106	65	13.21	3060	2.2									
116	59	12.05	2970	3.4									
141	49	9.93	2780	4.1									
159	43	8.78	2670	2.8									
189	36	7.39	2520	3.3									
257	27	5.45	2280	3.7									
38	182	23.85*	4320	1.1	DRC02 MX90S6	36	DRC02 90B5/B14 90S6	90S6	37				
45	153	20.08*	4080	1.3		DRCF02 MX90S6				36			
61	113	14.81*	3680	1.8		DRCZ02 MX90S6				36			
68	101	13.21	3550	1.4									
75	92	12.05	3440	2.2									
91	76	9.93	3220	2.6									
103	67	8.78	3090	1.8									
122	56	7.39	2920	2.1									
165	42	5.45	2640	2.4									
48	143	58.09	5530	2.1		DRC03 MX80K2				39	DRC03 80B5/B14 8012	8012	40
56	123	50.02	5260	2.4						DRCF03 MX80K2			
64	107	43.75	5030	2.8	DRCZ03 MX80K2		39						
72	95	38.73	4830	3.2									
81	85	34.62	4650	3.5									
24	285	58.09	6000	1.1	DRC03 MX80N4	39	DRC03 80B5/B14 8024	8024	40				
28	246	50.02	6000	1.2		DRCF03 MX80N4				39			
32	215	43.75	6000	1.4		DRCZ03 MX80N4				39			
36	190	38.73	6000	1.6									
40	170	34.62	5860	1.8									
49	139	28.30	5480	2.2									
64	107	21.78	5020	2.6									
81	85	17.33	4660	3.3									
93	74	15.06	4440	3.5									
23	296	38.73	6000	1.0	DRC03 MX90S6	39	DRC03 90B5/B14 90S6	90S6	40				
26	264	34.62	6000	1.1		DRCF03 MX90S6				39			
32	216	28.30	6000	1.4		DRCZ03 MX90S6				39			
41	166	21.78	5820	1.7									
52	132	17.33	5400	2.1									
60	115	15.06	5150	2.3									

P_{1n} [kW]	n_2 [r/min]	M_{2n} [Nm]	i	F_{r2} [N]	f_s		Page			Page						
0.75	73	95	12.37	4820	2.8	DRC03 MX90S6	39	DRC03 90B5/B14	90S6	40						
	88	79	10.28	4530	3.1		DRCF03 MX90S6			39	90B5/B14	90S6	40			
	113	61	7.93*	4160	3.0		DRCZ03 MX90S6			39	90B5/B14	90S6	40			
	143	48	6.31	3850	3.7											
	164	42	5.48	3670	3.6											
	24	285	58.09	8000	1.8		DRC04 MX80N4			42	DRC04 80B5/B14	8024	43			
	28	246	50.02	8000	2.0					DRCF04 MX80N4			42	80B5/B14	8024	43
	32	215	43.75	8000	2.3					DRCZ04 MX80N4			42	80B5/B14	8024	43
	36	190	38.73	8000	2.6											
	40	170	34.62	7950	2.9											
	49	139	28.30	7430	3.6											
	64	107	21.78	6810	4.5											
	15.5	444	58.09	8000	1.1	DRC04 MX90S6	42	DRC04 90B5/B14	90S6	43						
	18.0	382	50.02	8000	1.3		DRCF04 MX90S6			42	90B5/B14	90S6	43			
	21	334	43.75	8000	1.5		DRCZ04 MX90S6			42	90B5/B14	90S6	43			
	23	296	38.73	8000	1.7											
	26	264	34.62	8000	1.9											
	32	216	28.30	8000	2.3											
	41	166	21.78	7890	2.9											
	52	132	17.33	7310	3.6											
	1.1	98	103	28.50	1880	1.2	DRC01 MX80N2	33	DRC01 80B5/B14	8022	34					
119		85	23.56	1770	1.4	DRCF01 MX80N2		33			80B5/B14	8022	34			
141		71	19.83	1670	1.7	DRCZ01 MX80N2		33			80B5/B14	8022	34			
157		64	17.86	1610	1.4											
192		53	14.62	1510	2.3											
203		50	13.80*	1480	1.8											
235		43	11.90	1410	2.8											
285		35	9.81	1320	3.4											
305		33	9.17	1290	2.4											
363		28	7.72	1220	2.9											
492		20	5.69	1100	3.4											
605		16.7	4.63	1030	4.2											
733		13.8	3.82	960	5.1											
96		105	14.62	1900	1.1	DRC01 MX90S4		33			DRC01 90B5/B14	90S4	34			
118		86	11.90	1770	1.4			DRCF01 MX90S4					33	90B5/B14	90S4	34
143		71	9.81	1660	1.7		DRCZ01 MX90S4	33	90B5/B14	90S4			34			
153		66	9.17	1630	1.2											
181		56	7.72	1540	1.4											
246		41	5.69	1390	1.7											
302		33	4.63	1290	2.1											
366		28	3.82	1210	2.5											
92		110	9.81	1930	1.1		DRC01 MX90L6	33	DRC01 90B5/B14	90L6			34			
117		87	7.72	1780	0.92	DRCF01 MX90L6		33			90B5/B14	90L6	34			
158		64	5.69	1610	1.1	DRCZ01 MX90L6		33			90B5/B14	90L6	34			
194		52	4.63	1500	1.3											
236		43	3.82	1410	1.6											
52		194	54.00*	3880	1.0	DRC02 MX80N2	36	DRC02 80B5/B14	8022	37						
60		167	46.46*	3690	1.2		DRCF02 MX80N2			36	80B5/B14	8022	37			
69		146	40.60*	3530	1.4		DRCZ02 MX80N2			36	80B5/B14	8022	37			
78		129	35.91*	3390	1.5											
97		104	28.88*	3150	1.9											
117		86	23.85*	2960	2.3											
139		72	20.08*	2790	2.8											
164		62	17.10	2650	2.3											
189		53	14.81*	2520	3.7											
212		48	13.21	2430	2.9											

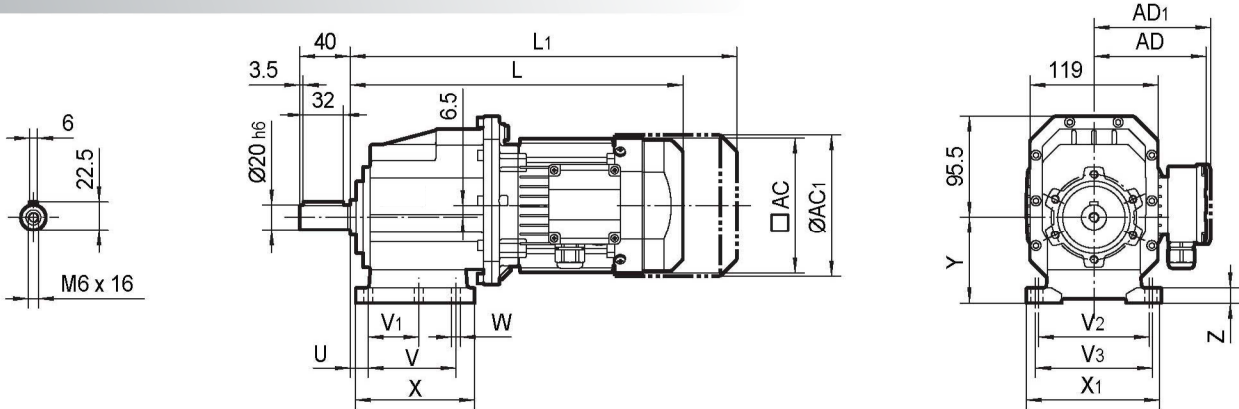
P _{1n} [kW]	n ₂ [r/min]	M _{2n} [Nm]	i	F _{r2} [N]	f _s									
							Page		Page		Page			
1.5	118	117	11.90	1770	1.0	DRC01 MX90L4	33	DRC01 90B5/B14 90L4	34	DRC01 90B5/B14 90L4	34			
	143	96	9.81	1660	1.2		DRCF01 MX90L4					33	DRCF01 90B5/B14 90L4	34
	153	90	9.17	1630	0.89		DRCZ01 MX90L4					33	DRCZ01 90B5/B14 90L4	34
	181	76	7.72	1540	1.1									
	246	56	5.69	1390	1.3									
	302	45	4.63	1290	1.5									
	366	38	3.82	1210	1.9									
	69	199	40.60*	3530	1.0	DRC02 MX90S2	36	DRC02 90B5/B14 90S2	37	DRC02 90B5/B14 90S2	37			
	78	176	35.91*	3390	1.1		DRCF02 MX90S2					36	DRCF02 90B5/B14 90S2	37
	97	142	28.88*	3150	1.4		DRCZ02 MX90S2					36	DRCZ02 90B5/B14 90S2	37
	117	117	23.85*	2960	1.7									
	139	99	20.08*	2790	2.0									
	189	73	14.81*	2520	2.7									
	212	65	13.21	2430	2.2									
	232	59	12.05	2350	3.4									
	282	49	9.93	2210	4.1									
	319	43	8.78	2120	2.8									
	379	36	7.39	2000	3.3									
	514	27	5.45	1810	3.7									
	95	145	14.81*	3180	1.4	DRC02 MX90L4	36	DRC02 90B5/B14 90L4	37	DRC02 90B5/B14 90L4	37			
	116	118	12.05	2970	1.7		DRCF02 MX90L4					36	DRCF02 90B5/B14 90L4	37
	141	98	9.93	2780	2.1		DRCZ02 MX90L4					36	DRCZ02 90B5/B14 90L4	37
	159	86	8.78	2670	1.4									
	189	73	7.39	2520	1.7									
	257	54	5.45	2280	1.9									
	316	44	4.43	2120	2.3									
	383	36	3.66	1990	2.2									
	48	285	58.09	5530	1.1	DRC03 MX90S2	39	DRC03 90B5/B14 90S2	40	DRC03 90B5/B14 90S2	40			
	56	246	50.02	5260	1.2		DRCF03 MX90S2					39	DRCF03 90B5/B14 90S2	40
	64	215	43.75	5030	1.4		DRCZ03 MX90S2					39	DRCZ03 90B5/B14 90S2	40
72	190	38.73	4830	1.6										
81	170	34.62	4650	1.8										
99	139	28.30	4350	2.2										
129	107	21.78	3990	2.6										
162	85	17.33	3690	3.3										
186	74	15.06	3530	3.5										
40	340	34.62	5860	0.88	DRC03 MX90L4	39	DRC03 90B5/B14 90L4	40	DRC03 90B5/B14 90L4	40				
49	278	28.30	5480	1.1		DRCF03 MX90L4					39	DRCF03 90B5/B14 90L4	40	
64	214	21.78	5020	1.3		DRCZ03 MX90L4					39	DRCZ03 90B5/B14 90L4	40	
81	170	17.33	4660	1.6										
93	148	15.06	4440	1.8										
113	122	12.37	4160	2.1										
136	101	10.28	3910	2.4										
177	78	7.93*	3590	2.3										
222	62	6.31	3320	2.9										
255	54	5.48	3170	2.8										
311	44	4.50	2970	3.4										
374	37	3.74	2790	4.1										
52	265	17.33	5400	1.1	DRC03 MX100M6	39	DRC03 100B5/B14 100L6	40	DRC03 100B5/B14 100L6	40				
60	230	15.06	5150	1.1		DRCF03 MX100M6					39	DRCF03 100B5/B14 100L6	40	
73	189	12.37	4820	1.4		DRCZ03 MX100M6					39	DRCZ03 100B5/B14 100L6	40	
88	157	10.28	4530	1.5										
113	121	7.93*	4160	1.5										
143	96	6.31	3850	1.9										
164	84	5.48	3670	1.8										
200	69	4.50	3440	2.2										
241	57	3.74	3230	2.6										

6.3 DRC..HS.. Performance parameter

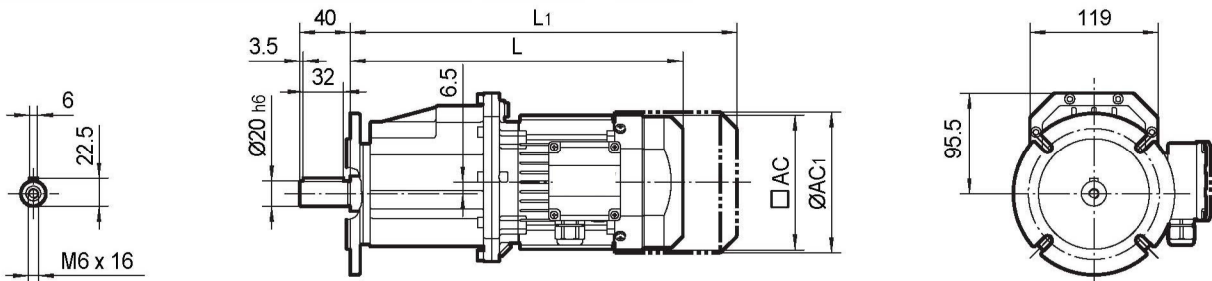
M _{2max} [Nm]	n ₂ [r/min]	i	P _{1n} [kW]	n ₁ [r/min]	F _{r2}	F _{r1}		Page		
120	26.3	53.33	0.34	1400	2600	800	DRC01-HS	33		
120	30.5	45.89	0.40	1400	2600	800		DRCF01-HS	33	
120	34.9	40.10	0.46	1400	2600	800		DRCZ01-HS	33	
120	39.5	35.47	0.52	1400	2560	800				
120	49.1	28.50	0.64	1400	2380	800				
120	59.4	23.56	0.78	1400	2230	800				
120	70.6	19.83	0.92	1400	2100	800				
90	78.4	17.86	0.77	1400	2030	800				
120	95.8	14.62	1.25	1400	1900	800				
90	101	13.80	1.00	1400	1860	800				
120	118	11.90	1.54	1400	1770	800				
120	143	9.81	1.87	1400	1660	800				
80	153	9.17	1.33	1400	1630	800				
80	181	7.72	1.58	1400	1540	800				
70	246	5.69	1.88	1400	1390	800				
70	302	4.63	2.31	1400	1290	800				
70	366	3.82	2.80	1400	1210	800				
200	25.9	54.00	0.57	1400	4500	800		DRC02-HS	36	
200	30.1	46.46	0.66	1400	4500	800			DRCF02-HS	36
200	34.5	40.60	0.75	1400	4500	800			DRCZ02-HS	36
200	39.0	35.91	0.85	1400	4270	800				
200	48.5	28.88	1.06	1400	3970	800				
200	58.7	23.85	1.28	1400	3730	800				
200	69.7	20.08	1.52	1400	3520	800				
140	81.9	17.10	1.25	1400	3330	800				
200	94.5	14.81	2.06	1400	3180	800				
140	106	13.21	1.62	1400	3060	800				
200	116	12.05	2.53	1400	2970	800				
200	141	9.93	3.08	1400	2780	800				
120	159	8.78	2.09	1400	2670	800				
120	189	7.39	2.48	1400	2520	800				
100	257	5.45	2.80	1400	2280	800				
100	316	4.43	3.45	1400	2120	800				
80	383	3.66	3.34	1400	1990	800				
300	24.1	58.09	0.79	1400	6000	1200	DRC03-HS		39	
300	28.0	50.02	0.92	1400	6000	1200			DRCF03-HS	39
300	32.0	43.75	1.05	1400	6000	1200			DRCZ03-HS	39
300	36.1	38.73	1.18	1400	6000	1200				
300	40.4	34.62	1.32	1400	5860	1200				
300	49.5	28.30	1.62	1400	5480	1200				
280	64.3	21.78	1.96	1400	5020	1200				
280	81	17.33	2.47	1400	4660	1200				
260	93	15.06	2.64	1400	4440	1200				
260	113	12.37	3.21	1400	4160	1200				
240	136	10.28	3.57	1400	3910	1200				
180	177	7.93	3.47	1400	3590	1200				
180	222	6.31	4.36	1400	3320	1200				
150	255	5.48	4.18	1400	3170	1200				
150	311	4.50	5.09	1400	2970	1200				
150	374	3.74	6.12	1400	2790	1200				

7. OUTLINE DIMENSION SHEET

DRC01..MX..

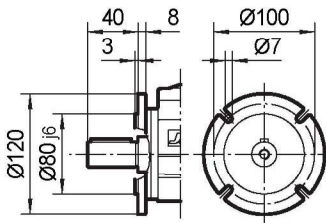


DRCF01..MX..



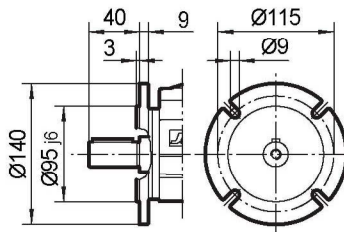
I

Ø120



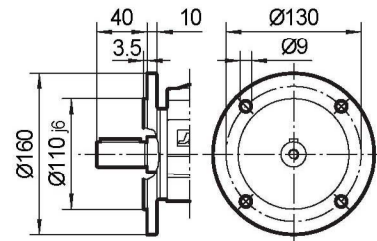
II

Ø140

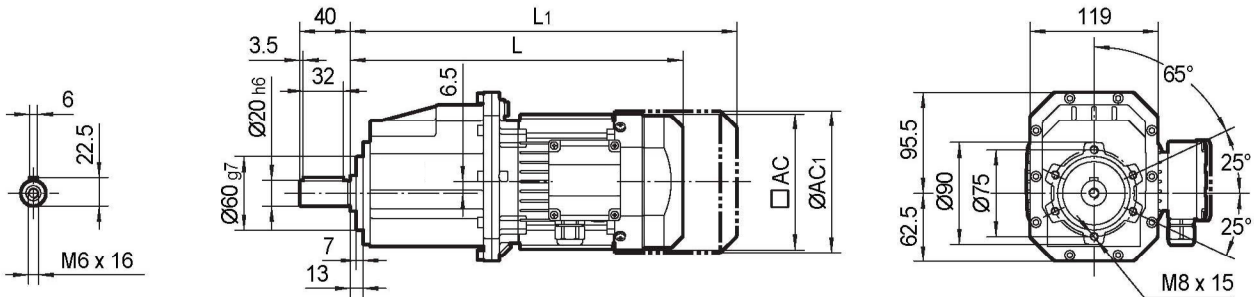


III

Ø160



DRCZ01..MX..

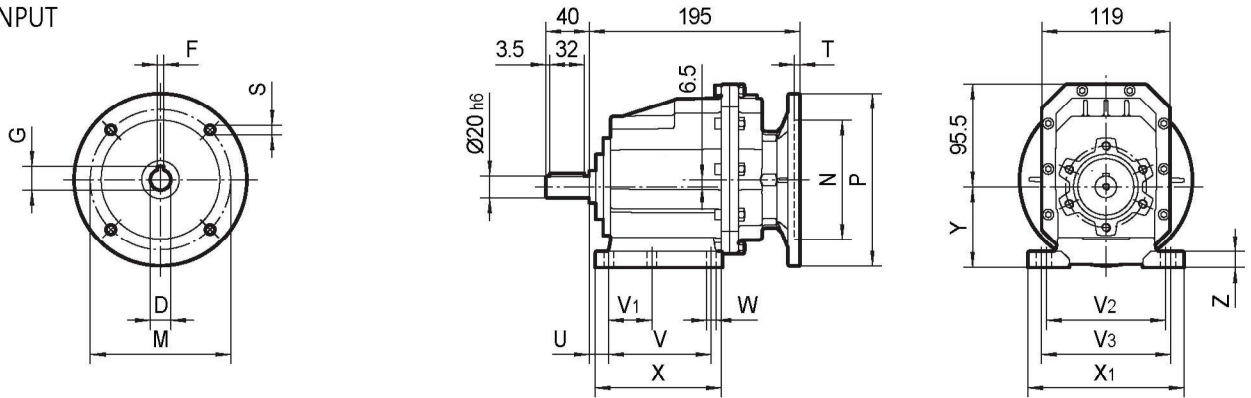


Motor Type	L	L1	AC	AC1	AD	AD1
MX63	305	360	132	132	105	105
MX71	320	384	134	148	122	127
MX80	355	419	134	148	122	127
MX90	386	471	182	203	154	161

Foot Code	U	V	V1	V2	V3	W	X	X1	Y	Z
PB	18	87	50	110	—	9	118	130	85	15
PM	18	80	—	110	120	9	118	145	75	15
PS	18	50	—	—	110	9	90	132	75	13

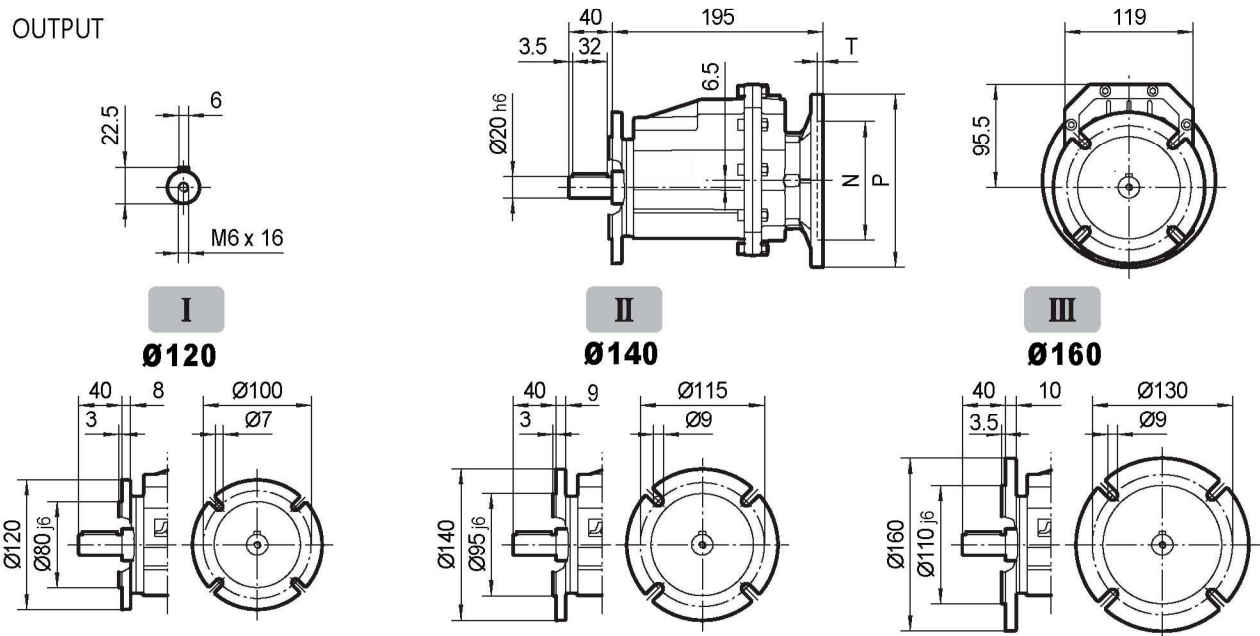
DRC01..P(IEC)

INPUT

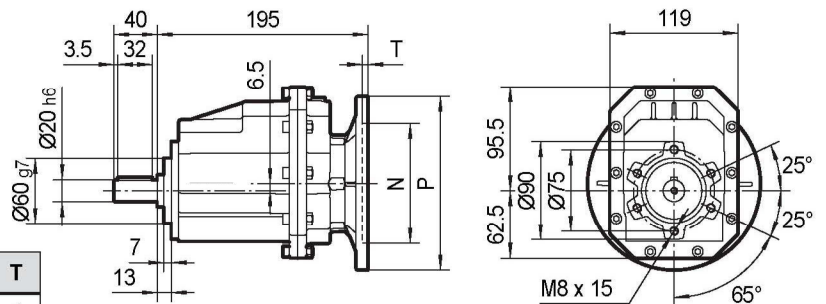


DRCF01..P(IEC)

OUTPUT



DRCZ01..P(IEC)

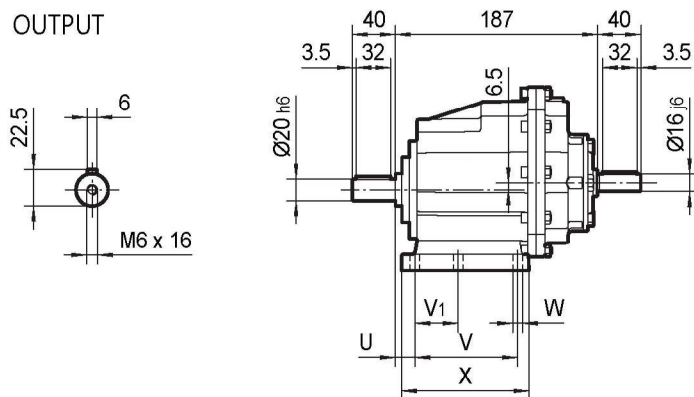


IEC	D _{E8}	F	G	P	M	N	S	T
P63B5	11	4	12.8	140	115	95	9	4
P71B5	14	5	16.3	160	130	110	9	4
P71B14	14	5	16.3	105	85	70	7	4
P80B5	19	6	21.8	200	165	130	11	4
P80B14	19	6	21.8	120	100	80	7	4
P90B5	24	8	27.3	200	165	130	11	4
P90B14	24	8	27.3	140	115	95	9	4

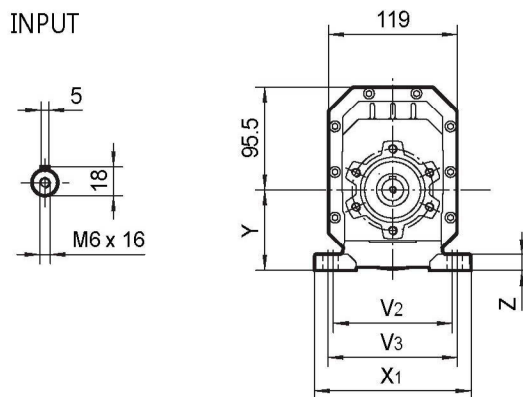
Foot Code	U	V	V ₁	V ₂	V ₃	W	X	X ₁	Y	Z
PB	18	87	50	110	—	9	118	130	85	15
PM	18	80	—	110	120	9	118	145	75	15
PS	18	50	—	—	110	9	90	132	75	13

DRC01..HS

OUTPUT

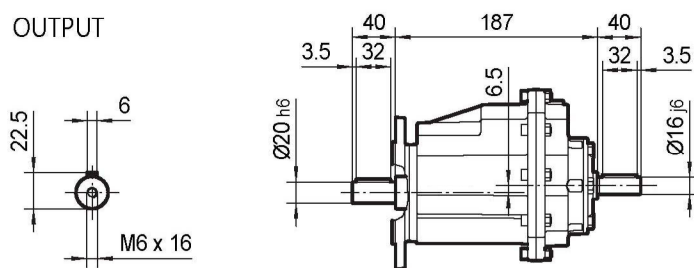


INPUT

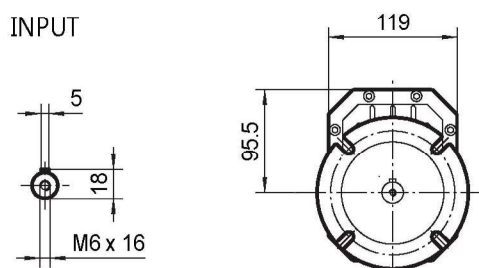


DRCF01..HS

OUTPUT

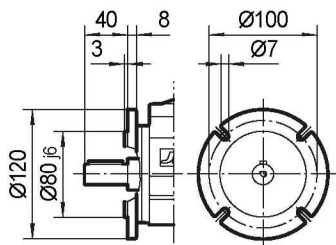


INPUT



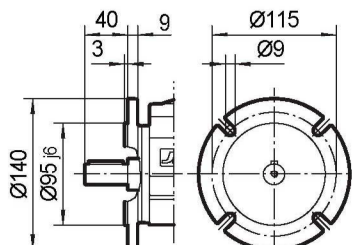
I

Ø120



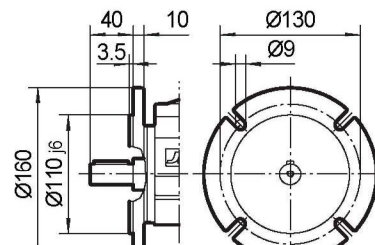
II

Ø140



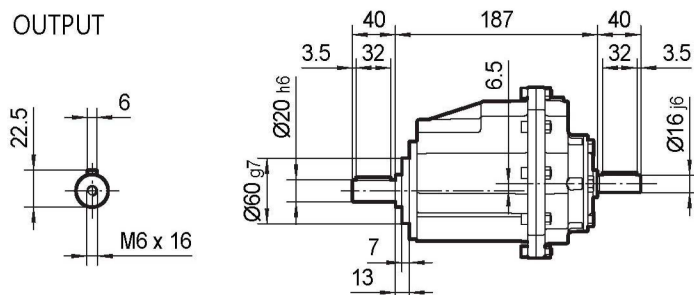
III

Ø160

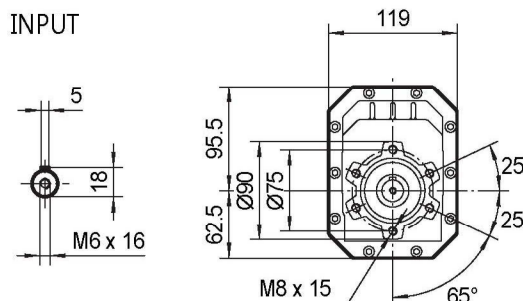


DRCZ01..HS

OUTPUT

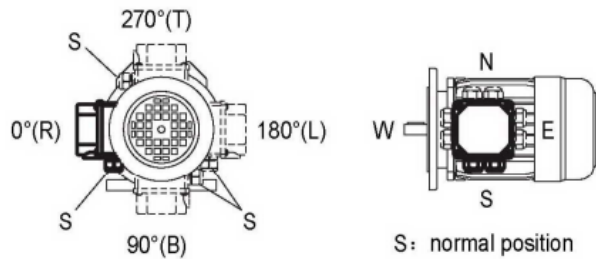
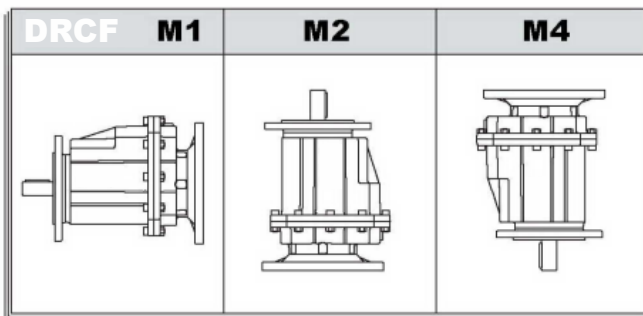
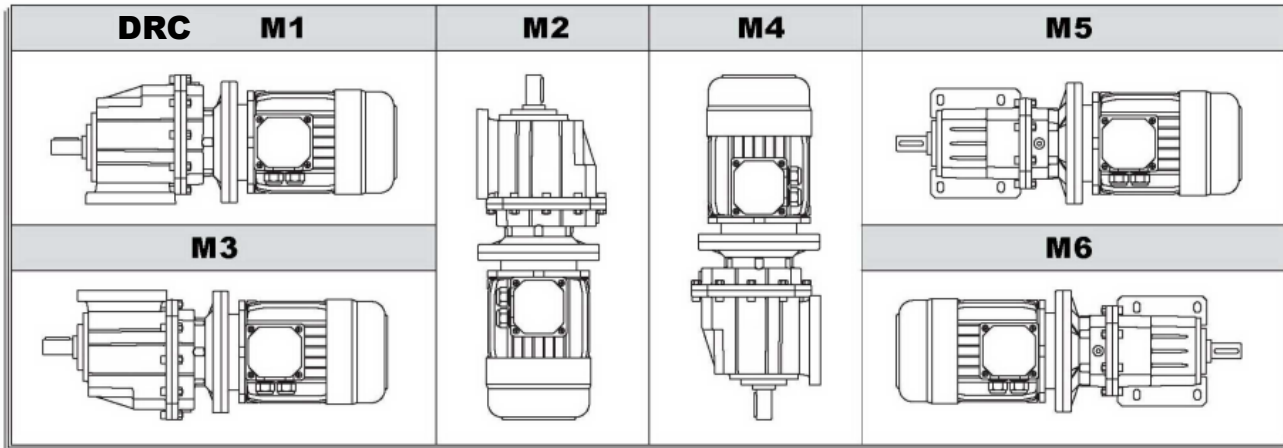


INPUT



Foot Code	U	V	V1	V2	V3	W	X	X1	Y	Z
PB	18	87	50	110	—	9	118	130	85	15
PM	18	80	—	110	120	9	118	145	75	15
PS	18	50	—	—	110	9	90	132	75	13

11. MOUNTING POSITION AND TERMINAL BOX ORIENTATION - POSIZIONI DI MONTAGGIO E DELLA MORSETTIERA



9. Quantità di lubrificante

9.1 Informazioni generali

Si raccomanda di osservare scrupolosamente le quantità di lubrificante. La quantità precisa varia a seconda della posizione di montaggio

Vi preghiamo indicare sempre in fase d'ordine anche la posizione di montaggio. Nel caso di variazione si prega variare la quantità di lubrificante a seconda della nuova posizione seguendo la tabella per la corretta quantità

9.2 Informazioni generali

Nella tabella sotto indicata sono riportati i lubrificanti consigliati. Vedere tabella sotto riportata

9. LUBRIFICANT

9.1 General information

Unless a special arrangement is made, we supply the drives with a lubricant fill adapted for the specific gear unit and mounting position. The decisive factor is the mounting position (M1.... M6) specified when ordering the drive. You must adapt the lubricant fill in case of any subsequent changes made to the mounting position (Lubricant fill quantities)

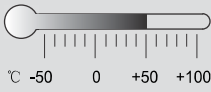




9.2 Anti-friction bearing greases

The lubricant table on the following page shows the permitted lubricants for our gear units. Please note the following key to the lubricant table:

	Temperature	Manufacture	Style	lubrication type
rolling bearing of gear box	-20°C ~ +60°C	Mobil	Mobilux EP 2	Mineral oil
	-40°C ~ +80°C	Mobil	Mobiltemp SHC 100	Synthetic oil
rolling bearing of gear motor	-20°C ~ +80°C	Esso	Unirex EQ3	Mineral oil
	-20°C ~ +60°C	Shell	Alvania RL3	Mineral oil
	-45°C ~ .25°C	Shell	Aero Shell Grease 16	Synthetic oil

11. LUBRIFICAZIONE / LUBRICATION

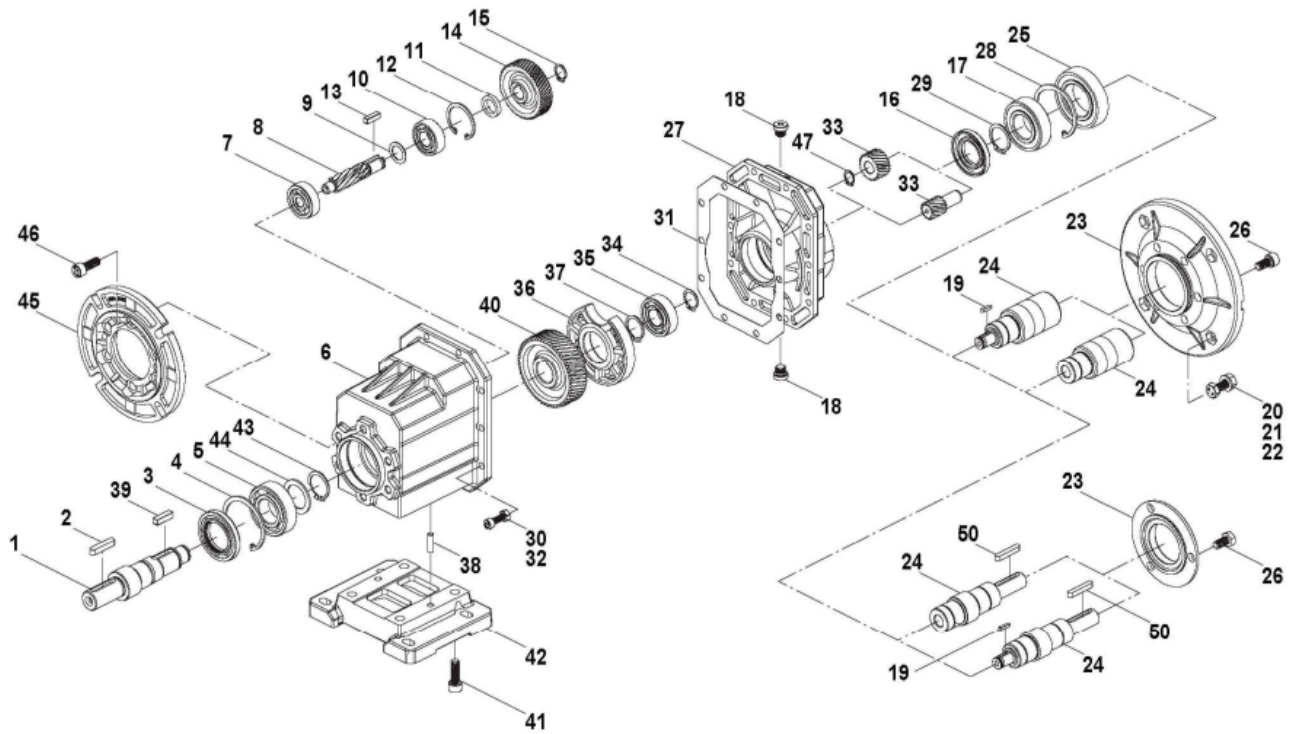
11.1 Tipi di lubrificanti / Types of lubrication

						tipi di lubrificante lubrication type
DRC	标准 Standard -10 +40	VG 220	Shell Omala 220	Mobilgear 630	BP Energol GR-XP 220	Olio Minerale Mineral oil
	-20 +25	VG 150 VG 100	Shell Omala 100	Mobilgear 627	BP Energol GR-XP 100	
	-30 +10	VG 68-46 VG 32	Shell Tellus T 32	Mobil D.T.E. 13M		
	-40 -20	VG 22 VG 15	Shell Tellus T 15	Mobil D.T.E. 11M	BP Energol HLP-HM 15	
	-40 +80	VG 220	Shell Omala HD 220	Mobil SHC 630		Olio sintetico Synthetic oil
	-40 +40	VG 150		Mobil SHC 629		
	-40 +10	VG 32		Mobil SHC 624		

DRC Quantità di lubrificante / Lubricant fill quantity

Gear units	Quantità di lubrificante in litri - Fill quantity in liters (L)					
	M1	M2	M3	M4	M5	M6
DRC..01..	0.4	0.6	0.4	0.3	0.3	0.3
DRC..02..	0.5	0.7	0.5	0.4	0.4	0.4
DRC..03..	0.8	1.1	0.8	0.6	0.6	0.6
DRC..04..	1.2	1.6	1.0	1.0	0.9	0.9
DRC..05..	1.2	1.6	1.0	1.0	0.9	0.9

Basic structure - Esploso prodotto



1	Output shaft / Albero in uscita	17	Bearing / Cuscinetto	33	Pinion / Pignone
2	Key / Chiavetta	18	Oil plug / Tappo dell'olio	34	Shaft circlip / Seeger
3	Oil seal / Anello di tenuta	19	Key / Chiavetta	35	Bearing / Cuscinetto
4	Hole circlip / Seeger	20	Hex head bolt / Vite	36	Support seat / Supporto
5	Bearing / Cuscinetto	21	Washer / Vite	37	Shaft circlip / Seeger
6	Gear box / Carcassa	22	Hex nut / testa vite	38	Cylindrical pin / Perno cilindrico
7	Bearing / Cuscinetto	23	Input flange / Flangia in ingresso	39	Key / Chiavetta
8	Pinion shaft / Albero pignone	24	Input shaft / Albero in ingresso	40	Gear / Ruota
9	Anello di tenuta / Oil seal	25	Bearing / Cuscinetto	41	Socket head cap screw / Testa vite
10	Bearing / Cuscinetto	26	Socket head cap screw / Testa vite	42	Foot / Piedi
11	Spacer ring / Anello	27	Input cover / Coperchio in ingresso	43	Shaft circlip / Seeger
12	Hole circlip / Seeger	28	Hole circlip / Seeger	44	Washer / Vite
13	Key / Chiavetta	29	Shaft circlip / Seeger	45	Output flange / Flangia in uscita
14	Gear / Ruota	30	Hex nut / testa vite	46	Hex socket screws / Vite a brugola esagonale
15	Shaft circlip / Seeger	31	Housing gasket / Guarnizione	47	Shaft circlip / Seeger
16	Oil seal / Anello di tenuta	32	Socket head cap screw / Testa vite	50	Key / Chiavetta