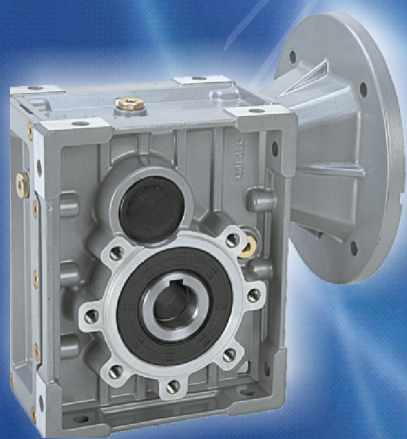


**- SERIE DKM / DKB -**

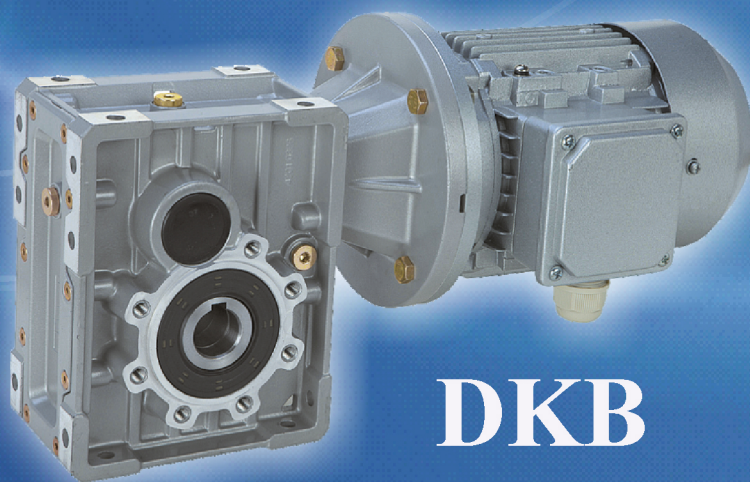
**Riduttori ad assi ortogonali**  
*Helical - Hypoid Gear Units*

**ELLE.GI SRL**

*Organi di  
Trasmissione*



**DKM**



**DKB**

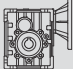
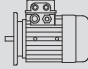
**DKM48., DKB48..**  $n_1=1400$  r/min **350Nm**

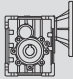
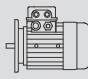
Gear units		i Nominal	i Actual	$n_2$ [r/min]	$M_2$ max [Nm]	$F_{R2}$ [N]	63B5	71B5	80B5 80B14	90B5 90B14	100B5 100B14	112B5 112B14
<b>3 Stadio / Stage</b>												
DKM48C	DKB48C	300	297.21	4.7	350	6500						
DKM48C	DKB48C	250	240.89	5.8	350	6500						
DKM48C	DKB48C	200	200.66	7.0	300	6500						
DKM48C	DKB48C	150	151.20	9.3	350	6500						
DKM48C	DKB48C	125	125.95	11.1	300	5980						
DKM48C	DKB48C	100	99.22	14.1	240	5520						
DKM48C	DKB48C	75	75.45	18.6	200	5040						
DKM48C	DKB48C	60	62.43	22	300	4730						
DKM48C	DKB48C	50	49.18	28	240	4370						
<b>2 Stadio / Stage</b>												
DKM48B	DKB48B	60	59.44	24	350	4660						
DKM48B	DKB48B	50	48.18	29	350	4340						
DKM48B	DKB48B	40	40.13	35	300	4080						
DKM48B	DKB48B	30	30.24	46	350	3720						
DKM48B	DKB48B	25	25.19	56	300	3500						
DKM48B	DKB48B	20	19.84	71	240	3230						
DKM48B	DKB48B	15	15.09	93	200	2950						
DKM48B	DKB48B	12.5	12.49	112	300	2770						
DKM48B	DKB48B	10	9.84	142	240	2550						
DKM48B	DKB48B	7.5	7.48	187	200	2330						

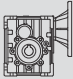
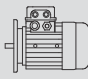
**DKM58., DKB58..**  $n_1=1400$  r/min **500Nm**

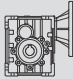
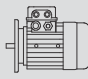
Gear units		i Nominal	i Actual	$n_2$ [r/min]	$M_2$ max [Nm]	$F_{R2}$ [N]	63B5	71B5	80B5 80B14	90B5 90B14	100B5 100B14	112B5 112B14
<b>3 Stadio / Stage</b>												
DKM58C	DKB58C	300	295.18	4.7	500	8300						
DKM58C	DKB58C	250	240.89	5.8	500	8300						
DKM58C	DKB58C	200	200.66	7.0	480	8300						
DKM58C	DKB58C	150	151.20	9.3	500	8050						
DKM58C	DKB58C	125	125.95	11.1	480	7580						
DKM58C	DKB58C	100	99.22	14.1	380	7000						
DKM58C	DKB58C	75	75.45	18.6	300	6390						
DKM58C	DKB58C	60	62.43	22	480	6000						
DKM58C	DKB58C	50	49.18	28	380	5540						
<b>2 Stadio / Stage</b>												
DKM58B	DKB58B	60	59.04	24	500	5890						
DKM58B	DKB58B	50	48.18	29	500	5500						
DKM58B	DKB58B	40	40.13	35	480	5170						
DKM58B	DKB58B	30	30.24	46	500	4710						
DKM58B	DKB58B	25	25.19	56	480	4430						
DKM58B	DKB58B	20	19.84	71	380	4090						
DKM58B	DKB58B	15	15.09	93	300	3730						
DKM58B	DKB58B	12.5	12.49	112	480	3510						
DKM58B	DKB58B	10	9.84	142	380	3240						
DKM58B	DKB58B	7.5	7.48	187	300	2950						

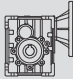
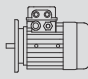
6.2 DKM.. / DKB..(IEC).. Prestazioni / Performance parameter

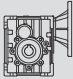
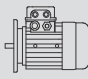
P <sub>1n</sub> [kW]	n <sub>2</sub> [r/min]	M <sub>2n</sub> [Nm]	i		F <sub>r2</sub> [N]	fs			Page								
			Nominal	Actual													
<b>0.12</b>	5.7	184	<b>250</b>	244.29	4100	0.7	<b>DKM28C</b>	<b>63B5</b>	<b>6314</b>	37							
	7.0	151	<b>200</b>	200.44	4100	0.9											
	9.5	110	<b>150</b>	146.67	4000	1.2											
	11.6	91	<b>125</b>	120.34	3770	1.4											
	13.9	76	<b>100</b>	101.04	3560	1.3											
	18.8	56	<b>75</b>	74.62	3220	1.4											
	22.5	47	<b>60</b>	62.36	3030	2.8											
	26.7	39	<b>50</b>	52.36	2860	2.5											
	24.0	45	<b>60</b>	58.36	2960	2.9	<b>DKM28B</b>	<b>63B5</b>	<b>6314</b>	36							
	28.7	38	<b>50</b>	48.86	2790	3.5											
	35	31	<b>40</b>	40.09	2610	4.2											
	48	23	<b>30</b>	29.33	2350	5.8											
	58	18.5	<b>25</b>	24.07	2200	7.0											
	69	15.6	<b>20</b>	20.21	2080	6.4											
	94	11.5	<b>15</b>	14.92	1880	7.0											
	112	9.6	<b>12.5</b>	12.47	1770	13.5											
	134	8.1	<b>10</b>	10.47	1670	12.4											
	181	5.9	<b>7.5</b>	7.73	1510	13.5											
4.6	228	<b>300</b>	302.50	4800	0.9	<b>DKM38C</b>	<b>63B5</b>	<b>6314</b>	39								
5.7	183	<b>250</b>	243.57	4800	1.1					<b>DKB38C</b>	<b>63B5</b>	<b>6314</b>	47				
7.1	148	<b>200</b>	196.43	4800	1.2												
9.2	114	<b>150</b>	151.56	4650	1.8												
11.5	92	<b>125</b>	122.22	4330	2.0												
13.8	76	<b>100</b>	101.27	4070	2.0												
19.1	55	<b>75</b>	73.33	3650	2.0												
22.1	48	<b>60</b>	63.33	3480	3.8												
26.7	40	<b>50</b>	52.48	3270	3.8												
23.1	47	<b>60</b>	60.50	3430	4.3	<b>DKM38B</b>	<b>63B5</b>	<b>6314</b>	38								
28.7	37	<b>50</b>	48.71	3190	5.3									<b>DKB38B</b>	<b>63B5</b>	<b>6314</b>	46
36	30	<b>40</b>	39.29	2970	6.0												
46	23	<b>30</b>	30.31	2720	8.6												
4.7	224	<b>300</b>	297.21	6500	1.6	<b>DKM48C</b>	<b>63B5</b>	<b>6314</b>	41								
5.8	181	<b>250</b>	240.89	6500	1.9												
7.0	151	<b>200</b>	200.66	6500	2.0												
9.3	114	<b>150</b>	151.20	6500	3.1												
11.1	95	<b>125</b>	125.95	5980	3.2												
14.1	75	<b>100</b>	99.22	5520	3.2												
18.6	57	<b>75</b>	75.45	5040	3.5												
4.7	222	<b>300</b>	295.18	8300	2.2	<b>DKM58C</b>	<b>63B5</b>	<b>6314</b>	43								
5.8	181	<b>250</b>	240.89	8300	2.8					<b>DKB58C</b>	<b>63B5</b>	<b>6314</b>	51				
7.0	151	<b>200</b>	200.66	8300	3.2												
9.3	114	<b>150</b>	151.20	8050	4.4												
<b>0.18</b>	9.6	165	<b>300</b>	291.79	4000	0.8	<b>DKM28C</b>	<b>63B5</b>	<b>6312</b>					37			
	11.5	138	<b>250</b>	244.29	3790	0.9											
	14.0	113	<b>200</b>	200.44	3550	1.1											
	19.1	83	<b>150</b>	146.67	3200	1.6											
	23.3	68	<b>125</b>	120.34	2990	1.9											
	27.7	57	<b>100</b>	101.04	2820	1.8											
	38	42	<b>75</b>	74.62	2550	1.9											
	45	35	<b>60</b>	62.36	2400	3.7											
	53	30	<b>50</b>	52.36	2270	3.4											
	48	34	<b>60</b>	58.36	2350	3.9	<b>DKM28B</b>	<b>63B5</b>	<b>6312</b>	36							
	57	28	<b>50</b>	48.86	2220	4.6											
	70	23	<b>40</b>	40.09	2070	5.6											

P <sub>1n</sub> [kW]	n <sub>2</sub> [r/min]	M <sub>2n</sub> [Nm]	i		F <sub>r2</sub> [N]	fs			Page	
			Nominal	Actual						
<b>0.18</b>	9.4	168	<b>300</b>	297.21	6320	2.1	<b>DKM48C</b>	<b>63B5</b>	<b>6312</b>	41
	11.6	136	<b>250</b>	240.89	5890	2.6	<b>DKB48C</b>	<b>63B5</b>	<b>6312</b>	49
	14.0	113	<b>200</b>	200.66	5540	2.6				
	18.5	85	<b>150</b>	151.20	5040	4.1				
	4.7	336	<b>300</b>	297.21	6500	1.0	<b>DKM48C</b>	<b>63B5</b>	<b>6324</b>	41
	5.8	272	<b>250</b>	240.89	6500	1.3	<b>DKB48C</b>	<b>63B5</b>	<b>6324</b>	49
	7.0	227	<b>200</b>	200.66	6500	1.3				
	9.3	171	<b>150</b>	151.20	6500	2.0				
	11.1	142	<b>125</b>	125.95	5980	2.1				
	14.1	112	<b>100</b>	99.22	5520	2.1				
	18.6	85	<b>75</b>	75.45	5040	2.3				
	4.5	353	<b>200</b>	200.66	6500	0.9	<b>DKM48C</b>	<b>71B5</b>	<b>7116</b>	41
6.0	266	<b>150</b>	151.20	6500	1.3	<b>DKB48C</b>	<b>71B5</b>	<b>7116</b>	49	
7.1	221	<b>125</b>	125.95	6500	1.4					
9.1	174	<b>100</b>	99.22	6400	1.4					
11.9	133	<b>75</b>	75.45	5840	1.5					
14.4	110	<b>60</b>	62.43	5480	2.7					
18.3	86	<b>50</b>	49.18	5060	2.8					
15.1	107	<b>60</b>	59.44	5390	3.3	<b>DKM48B</b>	<b>71B5</b>	<b>7116</b>	40	
18.7	87	<b>50</b>	48.18	5030	4.0	<b>DKB48B</b>	<b>71B5</b>	<b>7116</b>	48	
9.5	167	<b>300</b>	295.18	7990	3.0	<b>DKM58C</b>	<b>63B5</b>	<b>6312</b>	43	
11.6	136	<b>250</b>	240.89	7470	3.7	<b>DKB58C</b>	<b>63B5</b>	<b>6312</b>	51	
4.7	333	<b>300</b>	295.18	8300	1.5	<b>DKM58C</b>	<b>63B5</b>	<b>6324</b>	43	
5.8	272	<b>250</b>	240.89	8300	1.8	<b>DKB58C</b>	<b>63B5</b>	<b>6324</b>	51	
7.0	227	<b>200</b>	200.66	8300	2.1					
9.3	171	<b>150</b>	151.20	8050	2.9					
11.1	142	<b>125</b>	125.95	7580	3.4					
14.1	112	<b>100</b>	99.22	7000	3.4					
18.6	85	<b>75</b>	75.45	6390	3.5					
3.0	519	<b>300</b>	295.18	8300	1.0	<b>DKM58C</b>	<b>71B5</b>	<b>7116</b>	43	
3.7	423	<b>250</b>	240.89	8300	1.2	<b>DKB58C</b>	<b>71B5</b>	<b>7116</b>	51	
4.5	353	<b>200</b>	200.66	8300	1.4					
6.0	266	<b>150</b>	151.20	8300	1.9					
7.1	221	<b>125</b>	125.95	8300	2.2					
9.1	174	<b>100</b>	99.22	8110	2.2					
11.9	133	<b>75</b>	75.45	7400	2.3					
14.4	110	<b>60</b>	62.43	6950	4.4					
18.3	86	<b>50</b>	49.18	6420	4.4					
3.0	520	<b>300</b>	296.10	10000	1.4	<b>DKM68C</b>	<b>71B5</b>	<b>7116</b>	45	
3.7	429	<b>250</b>	244.29	10000	1.7	<b>DKB68C</b>	<b>71B5</b>	<b>7116</b>	53	
4.4	362	<b>200</b>	206.29	10000	2.1					
5.9	269	<b>150</b>	153.33	10000	2.8					
7.0	228	<b>125</b>	129.48	9840	3.3					
8.7	182	<b>100</b>	103.64	9130	3.6					
11.9	133	<b>75</b>	75.55	8220	3.9					
<b>0.25</b>	19.1	115	<b>150</b>	146.67	3200	1.1	<b>DKM28C</b>	<b>63B5</b>	<b>6322</b>	37
	23.3	94	<b>125</b>	120.34	2990	1.4				
	27.7	79	<b>100</b>	101.04	2820	1.3				
	38	59	<b>75</b>	74.62	2550	1.4				
	45	49	<b>60</b>	62.36	2400	2.7				
	53	41	<b>50</b>	52.36	2270	2.4				
	48	47	<b>60</b>	58.36	2350	2.8	<b>DKM28B</b>	<b>63B5</b>	<b>6322</b>	36
	57	39	<b>50</b>	48.86	2220	3.3				
	70	32	<b>40</b>	40.09	2070	4.0				
	22.5	98	<b>60</b>	62.36	3030	1.3	<b>DKM28C</b>	<b>71B5/B14</b>	<b>7114</b>	37
	26.7	82	<b>50</b>	52.36	2860	1.2				
	24.0	94	<b>60</b>	58.36	2960	1.4	<b>DKM28B</b>	<b>71B5/B14</b>	<b>7114</b>	36
	28.7	78	<b>50</b>	48.86	2790	1.7				

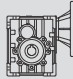
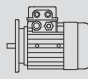
P <sub>1n</sub> [kW]	n <sub>2</sub> [r/min]	M <sub>2n</sub> [Nm]	i		F <sub>r2</sub> [N]	fs			Page		
			Nominal	Actual							
<b>0.25</b>	9.1	242	<b>100</b>	99.22	6400	1.0	<b>DKM48C</b>	<b>71B5</b>	<b>7126</b>	41	
	11.9	184	<b>75</b>	75.45	5840	1.1	<b>DKB48C</b>	<b>71B5</b>	<b>7126</b>	49	
	14.4	152	<b>60</b>	62.43	5480	2.0					
	18.3	120	<b>50</b>	49.18	5060	2.0					
	15.1	148	<b>60</b>	59.44	5390	2.4	<b>DKM48B</b>	<b>71B5</b>	<b>7126</b>	40	
	18.7	120	<b>50</b>	48.18	5030	2.9	<b>DKB48B</b>	<b>71B5</b>	<b>7126</b>	48	
	22.4	100	<b>40</b>	40.13	4730	3.0					
	9.5	232	<b>300</b>	295.18	7990	2.2	<b>DKM58C</b>	<b>63B5</b>	<b>6322</b>	43	
	11.6	189	<b>250</b>	240.89	7470	2.6	<b>DKB58C</b>	<b>63B5</b>	<b>6322</b>	51	
	14.0	157	<b>200</b>	200.66	7030	3.0					
	18.5	119	<b>150</b>	151.20	6390	4.2					
	4.7	463	<b>300</b>	295.18	8300	1.1	<b>DKM58C</b>	<b>71B5</b>	<b>7114</b>	43	
	5.8	378	<b>250</b>	240.89	8300	1.3	<b>DKB58C</b>	<b>71B5</b>	<b>7114</b>	51	
	7.0	315	<b>200</b>	200.66	8300	1.5					
	9.3	237	<b>150</b>	151.20	8050	2.1					
	11.1	198	<b>125</b>	125.95	7580	2.4					
	14.1	156	<b>100</b>	99.22	7000	2.4					
	18.6	118	<b>75</b>	75.45	6390	2.5					
	22.4	98	<b>60</b>	62.43	6000	4.9					
	28.5	77	<b>50</b>	49.18	5540	4.9					
	3.7	588	<b>250</b>	240.89	8300	0.9	<b>DKM58C</b>	<b>71B5</b>	<b>7126</b>	43	
	4.5	490	<b>200</b>	200.66	8300	1.0	<b>DKB58C</b>	<b>71B5</b>	<b>7126</b>	51	
	6.0	369	<b>150</b>	151.20	8300	1.4					
	7.1	307	<b>125</b>	125.95	8300	1.6					
	9.1	242	<b>100</b>	99.22	8110	1.6					
	11.9	184	<b>75</b>	75.45	7400	1.6					
	14.4	152	<b>60</b>	62.43	6950	3.2					
	18.3	120	<b>50</b>	49.18	6420	3.2					
	15.2	147	<b>60</b>	59.04	6820	3.4	<b>DKM58B</b>	<b>71B5</b>	<b>7126</b>	42	
	18.7	120	<b>50</b>	48.18	6370	4.2	<b>DKB58B</b>	<b>71B5</b>	<b>7126</b>	50	
	4.7	465	<b>300</b>	296.10	10000	1.6	<b>DKM68C</b>	<b>71B5</b>	<b>7114</b>	45	
	5.7	383	<b>250</b>	244.29	10000	2.0	<b>DKB68C</b>	<b>71B5</b>	<b>7114</b>	53	
	6.8	324	<b>200</b>	206.29	9920	2.3					
	9.1	241	<b>150</b>	153.33	8980	3.1					
	10.8	203	<b>125</b>	129.48	8490	3.7					
	13.5	163	<b>100</b>	103.64	7880	4.0					
	3.0	723	<b>300</b>	296.10	10000	1.0	<b>DKM68C</b>	<b>71B5</b>	<b>7126</b>	45	
	3.7	596	<b>250</b>	244.29	10000	1.3	<b>DKB68C</b>	<b>71B5</b>	<b>7126</b>	53	
	4.4	503	<b>200</b>	206.29	10000	1.5					
	5.9	374	<b>150</b>	153.33	10000	2.0					
	7.0	316	<b>125</b>	129.48	9840	2.4					
	8.7	253	<b>100</b>	103.64	9130	2.6					
	11.9	184	<b>75</b>	75.55	8220	2.8					
	<b>0.37</b>	23.3	140	<b>125</b>	120.34	2990	0.9	<b>DKB28C</b>	<b>71B5/B14</b>	<b>7112</b>	37
		27.7	117	<b>100</b>	101.04	2820	0.9				
		38	87	<b>75</b>	74.62	2550	0.9				
		45	72	<b>60</b>	62.36	2400	1.8				
		53	61	<b>50</b>	52.36	2270	1.6				
48		69	<b>60</b>	58.36	2350	1.9					
57		58	<b>50</b>	48.86	2220	2.2					
70		48	<b>40</b>	40.09	2070	2.7					
95		35	<b>30</b>	29.33	1870	3.7					
24.0		138	<b>60</b>	58.36	2960	0.9	<b>DKB28B</b>	<b>71B5/B14</b>	<b>7124</b>	36	
28.7		116	<b>50</b>	48.86	2790	1.1					
35		95	<b>40</b>	40.09	2610	1.4					
48		70	<b>30</b>	29.33	2350	1.9					
58		57	<b>25</b>	24.07	2200	2.3					
69		48	<b>20</b>	20.21	2080	2.1					

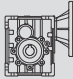
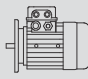
P <sub>1n</sub> [kW]	n <sub>2</sub> [r/min]	M <sub>2n</sub> [Nm]	i		F <sub>r2</sub> [N]	f <sub>s</sub>			Page	
			Nominal	Actual						
<b>0.37</b>	14.4	225	<b>60</b>	62.43	5480	1.3	<b>DKM48C</b>	<b>80B5/B14</b>	<b>8016</b>	41
	18.3	178	<b>50</b>	49.18	5060	1.4	<b>DKB48C</b>	<b>80B5/B14</b>	<b>8016</b>	49
	15.1	219	<b>60</b>	59.44	5390	1.6	<b>DKM48B</b>	<b>80B5/B14</b>	<b>8016</b>	40
	18.7	178	<b>50</b>	48.18	5030	2.0	<b>DKB48B</b>	<b>80B5/B14</b>	<b>8016</b>	48
	22.4	148	<b>40</b>	40.13	4730	2.0				
	29.8	112	<b>30</b>	30.24	4310	3.1				
	36	93	<b>25</b>	25.19	4050	3.2				
	45	73	<b>20</b>	19.84	3740	3.3				
	60	56	<b>15</b>	15.09	3410	3.6				
	9.5	343	<b>300</b>	295.18	7990	1.5	<b>DKM58C</b>	<b>71B5</b>	<b>7112</b>	43
11.6	280	<b>250</b>	240.89	7470	1.8	<b>DKB58C</b>	<b>71B5</b>	<b>7112</b>	51	
14.0	233	<b>200</b>	200.66	7030	2.1					
18.5	176	<b>150</b>	151.20	6390	2.8					
22.2	146	<b>125</b>	125.95	6010	3.3					
28.2	115	<b>100</b>	99.22	5550	3.3					
37	88	<b>75</b>	75.45	5070	3.4					
5.8	559	<b>250</b>	240.89	8300	0.9	<b>DKM58C</b>	<b>71B5</b>	<b>7124</b>	43	
7.0	466	<b>200</b>	200.66	8300	1.0	<b>DKB58C</b>	<b>71B5</b>	<b>7124</b>	51	
9.3	351	<b>150</b>	151.20	8050	1.4					
11.1	292	<b>125</b>	125.95	7580	1.6					
14.1	230	<b>100</b>	99.22	7000	1.6					
18.6	175	<b>75</b>	75.45	6390	1.7					
22.4	145	<b>60</b>	62.43	6000	3.3					
28.5	114	<b>50</b>	49.18	5540	3.3					
23.7	140	<b>60</b>	59.04	5890	3.6	<b>DKM58B</b>	<b>71B5</b>	<b>7124</b>	42	
29.1	114	<b>50</b>	48.18	5500	4.4	<b>DKB58B</b>	<b>71B5</b>	<b>7124</b>	50	
6.0	546	<b>150</b>	151.20	8300	0.9	<b>DKM58C</b>	<b>80B5/B14</b>	<b>8016</b>	43	
7.1	455	<b>125</b>	125.95	8300	1.1	<b>DKB58C</b>	<b>80B5/B14</b>	<b>8016</b>	51	
9.1	358	<b>100</b>	99.22	8110	1.1					
11.9	273	<b>75</b>	75.45	7400	1.1					
14.4	225	<b>60</b>	62.43	6950	2.1					
18.3	178	<b>50</b>	49.18	6420	2.1					
15.2	218	<b>60</b>	59.04	6820	2.3	<b>DKM58B</b>	<b>80B5/B14</b>	<b>8016</b>	42	
18.7	178	<b>50</b>	48.18	6370	2.8	<b>DKB58B</b>	<b>80B5/B14</b>	<b>8016</b>	50	
22.4	148	<b>40</b>	40.13	6000	3.2					
9.5	344	<b>300</b>	296.10	8880	2.2	<b>DKM68C</b>	<b>71B5</b>	<b>7112</b>	45	
11.5	284	<b>250</b>	244.29	8330	2.6	<b>DKB68C</b>	<b>71B5</b>	<b>7112</b>	53	
13.6	240	<b>200</b>	206.29	7870	3.1					
18.3	178	<b>150</b>	153.33	7130	4.2					
4.7	688	<b>300</b>	296.10	10000	1.1	<b>DKM68C</b>	<b>71B5</b>	<b>7124</b>	45	
5.7	567	<b>250</b>	244.29	10000	1.3	<b>DKB68C</b>	<b>71B5</b>	<b>7124</b>	53	
6.8	479	<b>200</b>	206.29	9920	1.6					
9.1	356	<b>150</b>	153.33	8980	2.1					
10.8	301	<b>125</b>	129.48	8490	2.5					
13.5	241	<b>100</b>	103.64	7880	2.7					
18.5	175	<b>75</b>	75.55	7090	3.0					
4.4	745	<b>200</b>	206.29	10000	1.0	<b>DKM68C</b>	<b>80B5</b>	<b>8016</b>	45	
5.9	554	<b>150</b>	153.33	10000	1.4	<b>DKB68C</b>	<b>80B5</b>	<b>8016</b>	53	
7.0	468	<b>125</b>	129.48	9840	1.6					
8.7	374	<b>100</b>	103.64	9130	1.7					
11.9	273	<b>75</b>	75.55	8220	1.9					
14.0	232	<b>60</b>	64.18	7780	3.2					
17.5	186	<b>50</b>	51.37	7230	3.5					
15.2	219	<b>60</b>	59.22	7580	3.4	<b>DKM68B</b>	<b>80B5</b>	<b>8016</b>	44	
18.4	180	<b>50</b>	48.86	7110	4.2	<b>DKB68B</b>	<b>80B5</b>	<b>8016</b>	52	

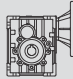
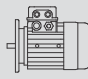
P <sub>1n</sub> [kW]	n <sub>2</sub> [r/min]	M <sub>2n</sub> [Nm]	i		F <sub>r2</sub> [N]	fs			Page	
			Nominal	Actual						
<b>0.55</b>	47	105	<b>60</b>	59.44	3690	3.3	<b>DKM48B</b>	<b>71B5</b>	<b>7122</b>	40
	58	85	<b>50</b>	48.18	3440	4.1	<b>DKB48B</b>	<b>71B5</b>	<b>7122</b>	48
	70	71	<b>40</b>	40.13	3240	4.2				
	18.6	260	<b>75</b>	75.45	5040	0.8	<b>DKM48C</b>	<b>80B5/B14</b>	<b>8014</b>	41
	22.4	215	<b>60</b>	62.43	4730	1.4	<b>DKB48C</b>	<b>80B5/B14</b>	<b>8014</b>	49
	28.5	170	<b>50</b>	49.18	4370	1.4				
	23.6	210	<b>60</b>	59.44	4660	1.7	<b>DKM48B</b>	<b>80B5/B14</b>	<b>8014</b>	40
	29.1	170	<b>50</b>	48.18	4340	2.1	<b>DKB48B</b>	<b>80B5/B14</b>	<b>8014</b>	48
	35	142	<b>40</b>	40.13	4080	2.1				
	46	107	<b>30</b>	30.24	3720	3.3				
	56	89	<b>25</b>	25.19	3500	3.4				
	71	70	<b>20</b>	19.84	3230	3.4				
	93	53	<b>15</b>	15.09	2950	3.8				
	14.4	335	<b>60</b>	62.43	5480	0.9	<b>DKM48C</b>	<b>80B5/B14</b>	<b>8026</b>	41
	18.3	264	<b>50</b>	49.18	5060	0.9	<b>DKB48C</b>	<b>80B5/B14</b>	<b>8026</b>	49
	15.1	326	<b>60</b>	59.44	5390	1.1	<b>DKM48B</b>	<b>80B5/B14</b>	<b>8026</b>	40
	18.7	264	<b>50</b>	48.18	5030	1.3	<b>DKB48B</b>	<b>80B5/B14</b>	<b>8026</b>	48
	22.4	220	<b>40</b>	40.13	4730	1.4				
	29.8	166	<b>30</b>	30.24	4310	2.1				
	36	138	<b>25</b>	25.19	4050	2.2				
	45	109	<b>20</b>	19.84	3740	2.2				
	60	83	<b>15</b>	15.09	3410	2.4				
	9.5	509	<b>300</b>	295.18	7990	1.0	<b>DKM58C</b>	<b>71B5</b>	<b>7122</b>	43
	11.6	416	<b>250</b>	240.89	7470	1.2	<b>DKB58C</b>	<b>71B5</b>	<b>7122</b>	51
	14.0	346	<b>200</b>	200.66	7030	1.4				
	18.5	261	<b>150</b>	151.20	6390	1.9				
	22.2	217	<b>125</b>	125.95	6010	2.2				
	28.2	171	<b>100</b>	99.22	5550	2.2				
	37	130	<b>75</b>	75.45	5070	2.3				
	45	108	<b>60</b>	62.43	4760	4.5				
	57	85	<b>50</b>	49.18	4390	4.5				
	9.3	522	<b>150</b>	151.20	8050	1.0	<b>DKM58C</b>	<b>80B5/B14</b>	<b>8014</b>	43
	11.1	435	<b>125</b>	125.95	7580	1.1	<b>DKB58C</b>	<b>80B5/B14</b>	<b>8014</b>	51
	14.1	342	<b>100</b>	99.22	7000	1.1				
	18.6	260	<b>75</b>	75.45	6390	1.2				
	22.4	215	<b>60</b>	62.43	6000	2.2				
	28.5	170	<b>50</b>	49.18	5540	2.2				
	23.7	208	<b>60</b>	59.04	5890	2.4	<b>DKM58B</b>	<b>80B5/B14</b>	<b>8014</b>	42
	29.1	170	<b>50</b>	48.18	5500	2.9	<b>DKB58B</b>	<b>80B5/B14</b>	<b>8014</b>	50
	35	142	<b>40</b>	40.13	5170	3.4				
	14.4	335	<b>60</b>	62.43	6950	1.4	<b>DKM58C</b>	<b>80B5/B14</b>	<b>8026</b>	43
	18.3	264	<b>50</b>	49.18	6420	1.4	<b>DKB58C</b>	<b>80B5/B14</b>	<b>8026</b>	51
	15.2	324	<b>60</b>	59.04	6820	1.5	<b>DKM58B</b>	<b>80B5/B14</b>	<b>8026</b>	42
	18.7	264	<b>50</b>	48.18	6370	1.9	<b>DKB58B</b>	<b>80B5/B14</b>	<b>8026</b>	50
	22.4	220	<b>40</b>	40.13	6000	2.2				
	29.8	166	<b>30</b>	30.24	5460	3.0				
	36	138	<b>25</b>	25.19	5130	3.5				
	45	109	<b>20</b>	19.84	4740	3.5				
60	83	<b>15</b>	15.09	4330	3.6					
9.5	511	<b>300</b>	296.10	8880	1.5	<b>DKM68C</b>	<b>71B5</b>	<b>7122</b>	45	
11.5	422	<b>250</b>	244.29	8330	1.8	<b>DKB68C</b>	<b>71B5</b>	<b>7122</b>	53	
13.6	356	<b>200</b>	206.29	7870	2.1					
18.3	265	<b>150</b>	153.33	7130	2.8					
21.6	223	<b>125</b>	129.48	6740	3.4					
27.0	179	<b>100</b>	103.64	6260	3.6					
37	130	<b>75</b>	75.55	5630	4.0					

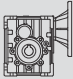
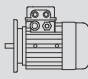
P <sub>1n</sub> [kW]	n <sub>2</sub> [r/min]	M <sub>2n</sub> [Nm]	i		F <sub>r2</sub> [N]	fs			Page	
			Nominal	Actual						
<b>0.75</b>	29.7	227	<b>30</b>	30.31	3150	0.9	<b>DKM38B</b>	<b>90B5/B14</b>	<b>90S6</b>	38
	37	183	<b>25</b>	24.44	2930	1.0	<b>DKB38B</b>	<b>90B5/B14</b>	<b>90S6</b>	46
	44	151	<b>20</b>	20.25	2760	1.0				
	61	110	<b>15</b>	14.67	2470	1.0				
	71	95	<b>12.5</b>	12.67	2360	1.9				
	86	79	<b>10</b>	10.50	2210	1.9				
	118	57	<b>7.5</b>	7.60	1990	1.9				
	18.5	356	<b>150</b>	151.20	5040	1.0	<b>DKM48C</b>	<b>80B5/B14</b>	<b>8012</b>	41
	22.2	296	<b>125</b>	125.95	4750	1.0	<b>DKB48C</b>	<b>80B5/B14</b>	<b>8012</b>	49
	28.2	234	<b>100</b>	99.22	4380	1.0				
37	178	<b>75</b>	75.45	4000	1.1					
45	147	<b>60</b>	62.43	3750	2.0					
57	116	<b>50</b>	49.18	3470	2.1					
47	143	<b>60</b>	59.44	3690	2.4	<b>DKM48B</b>	<b>80B5/B14</b>	<b>8012</b>	40	
58	116	<b>50</b>	48.18	3440	3.0	<b>DKB48B</b>	<b>80B5/B14</b>	<b>8012</b>	48	
70	96	<b>40</b>	40.13	3240	3.1					
22.4	294	<b>60</b>	62.43	4730	1.0	<b>DKM48C</b>	<b>80B5/B14</b>	<b>8024</b>	41	
28.5	231	<b>50</b>	49.18	4370	1.0	<b>DKB48C</b>	<b>80B5/B14</b>	<b>8024</b>	49	
23.6	286	<b>60</b>	59.44	4660	1.2	<b>DKM48B</b>	<b>80B5/B14</b>	<b>8024</b>	40	
29.1	232	<b>50</b>	48.18	4340	1.5	<b>DKB48B</b>	<b>80B5/B14</b>	<b>8024</b>	48	
35	193	<b>40</b>	40.13	4080	1.6					
46	145	<b>30</b>	30.24	3720	2.4					
56	121	<b>25</b>	25.19	3500	2.5					
71	95	<b>20</b>	19.84	3230	2.5					
93	73	<b>15</b>	15.09	2950	2.8					
18.7	360	<b>50</b>	48.18	5030	1.0	<b>DKM48B</b>	<b>90B5/B14</b>	<b>90S6</b>	40	
22.4	300	<b>40</b>	40.13	4730	1.0	<b>DKB48B</b>	<b>90B5/B14</b>	<b>90S6</b>	48	
29.8	226	<b>30</b>	30.24	4310	1.5					
36	188	<b>25</b>	25.19	4050	1.6					
45	148	<b>20</b>	19.84	3740	1.6					
60	113	<b>15</b>	15.09	3410	1.8					
72	93	<b>12.5</b>	12.49	3210	3.2					
91	74	<b>10</b>	9.84	2960	3.3					
120	56	<b>7.5</b>	7.48	2700	3.6					
11.6	567	<b>250</b>	240.89	7470	0.9	<b>DKM58C</b>	<b>80B5/B14</b>	<b>8012</b>	43	
14.0	472	<b>200</b>	200.66	7030	1.0	<b>DKB58C</b>	<b>80B5/B14</b>	<b>8012</b>	51	
18.5	356	<b>150</b>	151.20	6390	1.4					
22.2	296	<b>125</b>	125.95	6010	1.6					
28.2	234	<b>100</b>	99.22	5550	1.6					
37	178	<b>75</b>	75.45	5070	1.7					
45	147	<b>60</b>	62.43	4760	3.3					
57	116	<b>50</b>	49.18	4390	3.3					
47	142	<b>60</b>	59.04	4670	3.5	<b>DKM58B</b>	<b>80B5/B14</b>	<b>8012</b>	42	
58	116	<b>50</b>	48.18	4360	4.3	<b>DKB58B</b>	<b>80B5/B14</b>	<b>8012</b>	50	
22.4	294	<b>60</b>	62.43	6000	1.6	<b>DKM58C</b>	<b>80B5/B14</b>	<b>8024</b>	43	
28.5	231	<b>50</b>	49.18	5540	1.6	<b>DKB58C</b>	<b>80B5/B14</b>	<b>8024</b>	51	
23.7	284	<b>60</b>	59.04	5890	1.8	<b>DKM58B</b>	<b>80B5/B14</b>	<b>8024</b>	42	
29.1	232	<b>50</b>	48.18	5500	2.2	<b>DKB58B</b>	<b>80B5/B14</b>	<b>8024</b>	50	
35	193	<b>40</b>	40.13	5170	2.5					
46	145	<b>30</b>	30.24	4710	3.4					
56	121	<b>25</b>	25.19	4430	4.0					
71	95	<b>20</b>	19.84	4090	4.0					
93	73	<b>15</b>	15.09	3730	4.1					
14.4	457	<b>60</b>	62.43	6950	1.1	<b>DKM58C</b>	<b>90B5/B14</b>	<b>90S6</b>	43	
18.3	360	<b>50</b>	49.18	6420	1.1	<b>DKB58C</b>	<b>90B5/B14</b>	<b>90S6</b>	51	

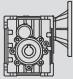
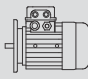


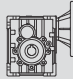
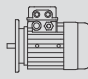
$P_{1n}$ [kW]	$n_2$ [r/min]	$M_{2n}$ [Nm]	$i$		$F_{r2}$ [N]	$f_s$			Page	
			Nominal	Actual						
<b>0.75</b>	15.2	442	<b>60</b>	59.04	6820	1.1	<b>DKM58B</b>	<b>90B5/B14</b>	<b>90S6</b>	42
	18.7	360	<b>50</b>	48.18	6370	1.4	<b>DKB58B</b>	<b>90B5/B14</b>	<b>90S6</b>	50
	22.4	300	<b>40</b>	40.13	6000	1.6				
	29.8	226	<b>30</b>	30.24	5460	2.2				
	36	188	<b>25</b>	25.19	5130	2.5				
	45	148	<b>20</b>	19.84	4740	2.6				
	60	113	<b>15</b>	15.09	4330	2.7				
	9.5	697	<b>300</b>	296.10	8880	1.1	<b>DKM68C</b>	<b>80B5</b>	<b>8012</b>	45
	11.5	575	<b>250</b>	244.29	8330	1.3	<b>DKB68C</b>	<b>80B5</b>	<b>8012</b>	53
	13.6	485	<b>200</b>	206.29	7870	1.5				
	18.3	361	<b>150</b>	153.33	7130	2.1				
	21.6	305	<b>125</b>	129.48	6740	2.5				
	27.0	244	<b>100</b>	103.64	6260	2.7				
	37	178	<b>75</b>	75.55	5630	2.9				
	9.1	722	<b>150</b>	153.33	8980	1.0	<b>DKM68C</b>	<b>80B5</b>	<b>8024</b>	45
	10.8	609	<b>125</b>	129.48	8490	1.2	<b>DKB68C</b>	<b>80B5</b>	<b>8024</b>	53
	13.5	488	<b>100</b>	103.64	7880	1.3				
	18.5	356	<b>75</b>	75.55	7090	1.5				
	21.8	302	<b>60</b>	64.18	6720	2.5				
	27.3	242	<b>50</b>	51.37	6240	2.7				
	23.6	285	<b>60</b>	59.22	6540	2.6	<b>DKM68B</b>	<b>80B5</b>	<b>8024</b>	44
	28.7	235	<b>50</b>	48.86	6130	3.2	<b>DKB68B</b>	<b>80B5</b>	<b>8024</b>	52
	34	198	<b>40</b>	41.26	5800	3.8				
	8.7	759	<b>100</b>	103.64	9130	0.9	<b>DKM68C</b>	<b>90B5</b>	<b>90S6</b>	45
	11.9	553	<b>75</b>	75.55	8220	0.9	<b>DKB68C</b>	<b>90B5</b>	<b>90S6</b>	53
	14.0	470	<b>60</b>	64.18	7780	1.6				
	17.5	376	<b>50</b>	51.37	7230	1.7				
	15.2	443	<b>60</b>	59.22	7580	1.7	<b>DKM68B</b>	<b>90B5</b>	<b>90S6</b>	44
	18.4	366	<b>50</b>	48.86	7110	2.1	<b>DKB68B</b>	<b>90B5</b>	<b>90S6</b>	52
	21.8	309	<b>40</b>	41.26	6720	2.4				
	29.3	229	<b>30</b>	30.67	6090	3.3				
	35	194	<b>25</b>	25.90	5750	3.9				
43	155	<b>20</b>	20.73	5340	4.2					
<b>1.1</b>	70	141	<b>40</b>	40.09	2070	0.9	<b>DKM28B</b>	<b>80B5/B14</b>	<b>8022</b>	36
	95	103	<b>30</b>	29.33	1870	1.3				
	116	85	<b>25</b>	24.07	1750	1.5				
	139	71	<b>20</b>	20.21	1650	1.4				
	188	53	<b>15</b>	14.92	1490	1.5				
	225	44	<b>12.5</b>	12.47	1400	3.0				
	267	37	<b>10</b>	10.47	1320	2.7				
	362	27	<b>7.5</b>	7.73	1200	2.9				
	112	88	<b>12.5</b>	12.47	1770	1.5	<b>DKM28B</b>	<b>90B5/B14</b>	<b>90S4</b>	36
	134	74	<b>10</b>	10.47	1670	1.4				
	181	55	<b>7.5</b>	7.73	1510	1.5				
	72	137	<b>12.5</b>	12.47	2050	1.0	<b>DKM28B</b>	<b>90B5/B14</b>	<b>90L6</b>	36
	86	115	<b>10</b>	10.47	1930	0.9				
	116	85	<b>7.5</b>	7.73	1750	0.9				
	46	213	<b>60</b>	60.50	2720	0.9	<b>DKM38B</b>	<b>80B5/B14</b>	<b>8022</b>	38
	57	172	<b>50</b>	48.71	2530	1.2	<b>DKB38B</b>	<b>80B5/B14</b>	<b>8022</b>	46
	71	139	<b>40</b>	39.29	2350	1.3				
	92	107	<b>30</b>	30.31	2160	1.9				
	115	86	<b>25</b>	24.44	2010	2.1				
	138	71	<b>20</b>	20.25	1890	2.1				
	191	52	<b>15</b>	14.67	1690	2.1				
	221	45	<b>12.5</b>	12.67	1610	4.0				
	267	37	<b>10</b>	10.50	1510	4.1				
	368	27	<b>7.5</b>	7.60	1360	4.1				

P <sub>1n</sub> [kW]	n <sub>2</sub> [r/min]	M <sub>2n</sub> [Nm]	i		F <sub>r2</sub> [N]	fs			Page	
			Nominal	Actual						
<b>1.1</b>	46	214	<b>30</b>	30.31	2720	0.9	<b>DKM38B</b>	<b>90B5/B14</b>	<b>90S4</b>	38
	57	172	<b>25</b>	24.44	2530	1.0	<b>DKB38B</b>	<b>90B5/B14</b>	<b>90S4</b>	46
	69	143	<b>20</b>	20.25	2380	1.1				
	95	103	<b>15</b>	14.67	2130	1.1				
	110	89	<b>12.5</b>	12.67	2030	2.0				
	133	74	<b>10</b>	10.50	1910	2.0				
	184	54	<b>7.5</b>	7.60	1710	2.1				
	71	139	<b>12.5</b>	12.67	2360	1.3	<b>DKM38B</b>	<b>90B5/B14</b>	<b>90L6</b>	38
	86	115	<b>10</b>	10.50	2210	1.3	<b>DKB38B</b>	<b>90B5/B14</b>	<b>90L6</b>	46
	118	83	<b>7.5</b>	7.60	1990	1.3				
45	215	<b>60</b>	62.43	3750	1.4	<b>DKM48C</b>	<b>80B5/B14</b>	<b>8022</b>	41	
57	170	<b>50</b>	49.18	3470	1.4	<b>DKB48C</b>	<b>80B5/B14</b>	<b>8022</b>	49	
47	210	<b>60</b>	59.44	3690	1.7	<b>DKM48B</b>	<b>80B5/B14</b>	<b>8022</b>	40	
58	170	<b>50</b>	48.18	3440	2.1	<b>DKB48B</b>	<b>80B5/B14</b>	<b>8022</b>	48	
70	142	<b>40</b>	40.13	3240	2.1					
93	107	<b>30</b>	30.24	2950	3.3					
111	89	<b>25</b>	25.19	2770	3.4					
141	70	<b>20</b>	19.84	2560	3.4					
186	53	<b>15</b>	15.09	2340	3.8					
29.1	340	<b>50</b>	48.18	4340	1.0	<b>DKM48B</b>	<b>90B5/B14</b>	<b>90S4</b>	40	
35	283	<b>40</b>	40.13	4080	1.1	<b>DKB48B</b>	<b>90B5/B14</b>	<b>90S4</b>	48	
46	213	<b>30</b>	30.24	3720	1.6					
56	178	<b>25</b>	25.19	3500	1.7					
71	140	<b>20</b>	19.84	3230	1.7					
93	106	<b>15</b>	15.09	2950	1.9					
112	88	<b>12.5</b>	12.49	2770	3.4					
142	69	<b>10</b>	9.84	2550	3.5					
187	53	<b>7.5</b>	7.48	2330	3.8					
29.8	332	<b>30</b>	30.24	4310	1.1	<b>DKM48B</b>	<b>90B5/B14</b>	<b>90L6</b>	40	
36	276	<b>25</b>	25.19	4050	1.1	<b>DKB48B</b>	<b>90B5/B14</b>	<b>90L6</b>	48	
45	218	<b>20</b>	19.84	3740	1.1					
60	166	<b>15</b>	15.09	3410	1.2					
72	137	<b>12.5</b>	12.49	3210	2.2					
91	108	<b>10</b>	9.84	2960	2.2					
120	82	<b>7.5</b>	7.48	2700	2.4					
18.5	522	<b>150</b>	151.20	6390	1.0	<b>DKM58C</b>	<b>80B5/B14</b>	<b>8022</b>	43	
22.2	435	<b>125</b>	125.95	6010	1.1	<b>DKM48C</b>	<b>80B5/B14</b>	<b>8022</b>	51	
28.2	342	<b>100</b>	99.22	5550	1.1					
37	260	<b>75</b>	75.45	5070	1.2					
45	215	<b>60</b>	62.43	4760	2.2					
57	170	<b>50</b>	49.18	4390	2.2					
47	208	<b>60</b>	59.04	4670	2.4	<b>DKM58B</b>	<b>80B5/B14</b>	<b>8022</b>	42	
58	170	<b>50</b>	48.18	4360	2.9	<b>DKM48B</b>	<b>80B5/B14</b>	<b>8022</b>	50	
70	142	<b>40</b>	40.13	4110	3.4					
22.4	431	<b>60</b>	62.43	6000	1.1	<b>DKM58C</b>	<b>90B5/B14</b>	<b>90S4</b>	43	
28.5	340	<b>50</b>	49.18	5540	1.1	<b>DKM48C</b>	<b>90B5/B14</b>	<b>90S4</b>	51	
23.7	416	<b>60</b>	59.04	5890	1.2	<b>DKM58B</b>	<b>90B5/B14</b>	<b>90S4</b>	42	
29.1	340	<b>50</b>	48.18	5500	1.5	<b>DKM48B</b>	<b>90B5/B14</b>	<b>90S4</b>	50	
35	283	<b>40</b>	40.13	5170	1.7					
46	213	<b>30</b>	30.24	4710	2.3					
56	178	<b>25</b>	25.19	4430	2.7					
71	140	<b>20</b>	19.84	4090	2.7					
93	106	<b>15</b>	15.09	3730	2.8					
18.7	529	<b>50</b>	48.18	6370	0.9	<b>DKM58B</b>	<b>90B5/B14</b>	<b>90L6</b>	42	
22.4	440	<b>40</b>	40.13	6000	1.1	<b>DKM48B</b>	<b>90B5/B14</b>	<b>90L6</b>	50	
29.8	332	<b>30</b>	30.24	5460	1.5					
36	276	<b>25</b>	25.19	5130	1.7					
45	218	<b>20</b>	19.84	4740	1.7					
60	166	<b>15</b>	15.09	4330	1.8					

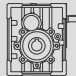
P <sub>1n</sub> [kW]	n <sub>2</sub> [r/min]	M <sub>2n</sub> [Nm]	i		F <sub>r2</sub> [N]	fs			Page	
			Nominal	Actual						
<b>1.1</b>	72	137	<b>12.5</b>	12.49	4060	3.5	<b>DKM58B</b>	<b>90B5/B14</b>	<b>90L6</b>	42
	91	108	<b>10</b>	9.84	3750	3.5	<b>DKM48B</b>	<b>90B5/B14</b>	<b>90L6</b>	50
	120	82	<b>7.5</b>	7.48	3420	3.7				
	11.5	843	<b>250</b>	244.29	8330	0.9	<b>DKM68C</b>	<b>80B5</b>	<b>8022</b>	45
	13.6	712	<b>200</b>	206.29	7870	1.1	<b>DKM68C</b>	<b>80B5</b>	<b>8022</b>	53
	18.3	529	<b>150</b>	153.33	7130	1.4				
	21.6	447	<b>125</b>	129.48	6740	1.7				
	27.0	358	<b>100</b>	103.64	6260	1.8				
	37	261	<b>75</b>	75.55	5630	2.0				
	44	222	<b>60</b>	64.18	5330	3.4				
	55	177	<b>50</b>	51.37	4950	3.7				
	47.3	209	<b>60</b>	59.22	5190	3.6	<b>DKM68B</b>	<b>80B5</b>	<b>8022</b>	44
	57	172	<b>50</b>	48.86	4870	4.4	<b>DKM68B</b>	<b>80B5</b>	<b>8022</b>	52
	13.5	715	<b>100</b>	103.64	7880	0.9	<b>DKM68C</b>	<b>90B5</b>	<b>90S4</b>	45
	18.5	522	<b>75</b>	75.55	7090	1.0	<b>DKM68C</b>	<b>90B5</b>	<b>90S4</b>	53
	21.8	443	<b>60</b>	64.18	6720	1.7				
	27.3	355	<b>50</b>	51.37	6240	1.8				
	23.6	418	<b>60</b>	59.22	6540	1.8	<b>DKM68B</b>	<b>90B5</b>	<b>90S4</b>	44
	28.7	345	<b>50</b>	48.86	6130	2.2	<b>DKM68B</b>	<b>90B5</b>	<b>90S4</b>	52
	34	291	<b>40</b>	41.26	5800	2.6				
	46	216	<b>30</b>	30.67	5250	3.5				
	54	183	<b>25</b>	25.90	4960	4.1				
	14.0	689	<b>60</b>	64.18	7780	1.1	<b>DKM68C</b>	<b>90B5</b>	<b>90L6</b>	45
	17.5	552	<b>50</b>	51.37	7230	1.2	<b>DKM68C</b>	<b>90B5</b>	<b>90L6</b>	53
	15.2	650	<b>60</b>	59.22	7580	1.2	<b>DKM68B</b>	<b>90B5</b>	<b>90L6</b>	44
	18.4	536	<b>50</b>	48.86	7110	1.4	<b>DKM68B</b>	<b>90B5</b>	<b>90L6</b>	52
	21.8	453	<b>40</b>	41.26	6720	1.7				
	29.3	337	<b>30</b>	30.67	6090	2.2				
	35	284	<b>25</b>	25.90	5750	2.6				
	43	227	<b>20</b>	20.73	5340	2.9				
60	166	<b>15</b>	15.11	4810	3.1					
<b>1.5</b>	95	141	<b>30</b>	29.33	1870	0.9	<b>DKM28B</b>	<b>90B5/B14</b>	<b>90S2</b>	36
	116	116	<b>25</b>	24.07	1750	1.1				
	139	97	<b>20</b>	20.21	1650	1.0				
	188	72	<b>15</b>	14.92	1490	1.1				
	225	60	<b>12.5</b>	12.47	1400	2.2				
	267	50	<b>10</b>	10.47	1320	2.0				
	362	37	<b>7.5</b>	7.73	1200	2.2				
	112	120	<b>12.5</b>	12.47	1770	1.1	<b>DKM28B</b>	<b>90B5/B14</b>	<b>90L4</b>	36
	134	101	<b>10</b>	10.47	1670	1.0				
	181	74	<b>7.5</b>	7.73	1510	1.1				
	57	234	<b>50</b>	48.71	2530	0.9	<b>DKM38B</b>	<b>90B5/B14</b>	<b>90S2</b>	38
	71	189	<b>40</b>	39.29	2350	1.0	<b>DKM38B</b>	<b>90B5/B14</b>	<b>90S2</b>	46
	92	146	<b>30</b>	30.31	2160	1.4				
	115	118	<b>25</b>	24.44	2010	1.5				
	138	97	<b>20</b>	20.25	1890	1.5				
	191	71	<b>15</b>	14.67	1690	1.6				
	221	61	<b>12.5</b>	12.67	1610	3.0				
	267	50	<b>10</b>	10.50	1510	3.0				
	368	37	<b>7.5</b>	7.60	1360	3.0				
	57	235	<b>25</b>	24.44	2530	0.8	<b>DKM38B</b>	<b>90B5/B14</b>	<b>90L4</b>	38
	69	195	<b>20</b>	20.25	2380	0.8	<b>DKM38B</b>	<b>90B5/B14</b>	<b>90L4</b>	46
	95	141	<b>15</b>	14.67	2130	0.8				
	110	122	<b>12.5</b>	12.67	2030	1.5				
	133	101	<b>10</b>	10.50	1910	1.5				
	184	73	<b>7.5</b>	7.60	1710	1.5				
	45	294	<b>60</b>	62.43	3750	1.0	<b>DKM48C</b>	<b>90B5/B14</b>	<b>90S2</b>	41
	57	231	<b>50</b>	49.18	3470	1.0	<b>DKM48C</b>	<b>90B5/B14</b>	<b>90S2</b>	49

P <sub>1n</sub> [kW]	n <sub>2</sub> [r/min]	M <sub>2n</sub> [Nm]	i		F <sub>r2</sub> [N]	fs			Page	
			Nominal	Actual						
<b>1.5</b>	47	286	<b>60</b>	59.44	3690	1.2	<b>DKM48B</b>	<b>90B5/B14</b>	<b>90S2</b>	40
	58	232	<b>50</b>	48.18	3440	1.5	<b>DKM48B</b>	<b>90B5/B14</b>	<b>90S2</b>	48
	70	193	<b>40</b>	40.13	3240	1.6				
	93	145	<b>30</b>	30.24	2950	2.4				
	111	121	<b>25</b>	25.19	2770	2.5				
	141	95	<b>20</b>	19.84	2560	2.5				
	186	73	<b>15</b>	15.09	2340	2.8				
	35	386	<b>40</b>	40.13	4080	0.8	<b>DKM48B</b>	<b>90B5/B14</b>	<b>90L4</b>	40
	46	291	<b>30</b>	30.24	3720	1.2	<b>DKM48B</b>	<b>90B5/B14</b>	<b>90L4</b>	48
	56	242	<b>25</b>	25.19	3500	1.2				
	71	191	<b>20</b>	19.84	3230	1.3				
	93	145	<b>15</b>	15.09	2950	1.4				
	112	120	<b>12.5</b>	12.49	2770	2.5				
	142	95	<b>10</b>	9.84	2550	2.5				
	187	72	<b>7.5</b>	7.48	2330	2.8				
	45	297	<b>20</b>	19.84	3740	0.8	<b>DKM48B</b>	<b>100B5/B14</b>	<b>100L6</b>	40
	60	226	<b>15</b>	15.09	3410	0.9	<b>DKM48B</b>	<b>100B5/B14</b>	<b>100L6</b>	48
	72	187	<b>12.5</b>	12.49	3210	1.6				
91	147	<b>10</b>	9.84	2960	1.6					
120	112	<b>7.5</b>	7.48	2700	1.8					
45	294	<b>60</b>	62.43	4760	1.6	<b>DKM58C</b>	<b>90B5/B14</b>	<b>90S2</b>	43	
57	231	<b>50</b>	49.18	4390	1.6	<b>DKM58C</b>	<b>90B5/B14</b>	<b>90S2</b>	51	
47	284	<b>60</b>	59.04	4670	1.8	<b>DKM58B</b>	<b>90B5/B14</b>	<b>90S2</b>	42	
58	232	<b>50</b>	48.18	4360	2.2	<b>DKM58B</b>	<b>90B5/B14</b>	<b>90S2</b>	50	
70	193	<b>40</b>	40.13	4110	2.5					
93	145	<b>30</b>	30.24	3740	3.4					
111	121	<b>25</b>	25.19	3520	4.0					
141	95	<b>20</b>	19.84	3250	4.0					
186	73	<b>15</b>	15.09	2960	4.1					
23.7	568	<b>60</b>	59.04	5890	0.9	<b>DKM58B</b>	<b>90B5/B14</b>	<b>90L4</b>	42	
29.1	463	<b>50</b>	48.18	5500	1.1	<b>DKM58B</b>	<b>90B5/B14</b>	<b>90L4</b>	50	
35	386	<b>40</b>	40.13	5170	1.2					
46	291	<b>30</b>	30.24	4710	1.7					
56	242	<b>25</b>	25.19	4430	2.0					
71	191	<b>20</b>	19.84	4090	2.0					
93	145	<b>15</b>	15.09	3730	2.1					
112	120	<b>12.5</b>	12.49	3510	4.0					
142	95	<b>10</b>	9.84	3240	4.0					
187	72	<b>7.5</b>	7.48	2950	4.2					
29.8	452	<b>30</b>	30.24	5460	1.1	<b>DKM58B</b>	<b>100B5/B14</b>	<b>100L6</b>	42	
36	377	<b>25</b>	25.19	5130	1.3	<b>DKM58B</b>	<b>100B5/B14</b>	<b>100L6</b>	50	
45	297	<b>20</b>	19.84	4740	1.3					
60	226	<b>15</b>	15.09	4330	1.3					
72	187	<b>12.5</b>	12.49	4060	2.6					
91	147	<b>10</b>	9.84	3750	2.6					
120	112	<b>7.5</b>	7.48	3420	2.7					
18.3	722	<b>150</b>	153.33	7130	1.0	<b>DKM68C</b>	<b>90B5</b>	<b>90S2</b>	45	
21.6	609	<b>125</b>	129.48	6740	1.2	<b>DKM68C</b>	<b>90B5</b>	<b>90S2</b>	53	
27.0	488	<b>100</b>	103.64	6260	1.3					
37	356	<b>75</b>	75.55	5630	1.5					
44	302	<b>60</b>	64.18	5330	2.5					
55	242	<b>50</b>	51.37	4950	2.7					
47	285	<b>60</b>	59.22	5190	2.6	<b>DKM68B</b>	<b>90B5</b>	<b>90S2</b>	44	
57	235	<b>50</b>	48.86	4870	3.2	<b>DKM68B</b>	<b>90B5</b>	<b>90S2</b>	52	
68	198	<b>40</b>	41.26	4600	3.8					
21.8	604	<b>60</b>	64.18	6720	1.2	<b>DKM68C</b>	<b>90B5</b>	<b>90L4</b>	45	
27.3	484	<b>50</b>	51.37	6240	1.3	<b>DKM68C</b>	<b>90B5</b>	<b>90L4</b>	53	

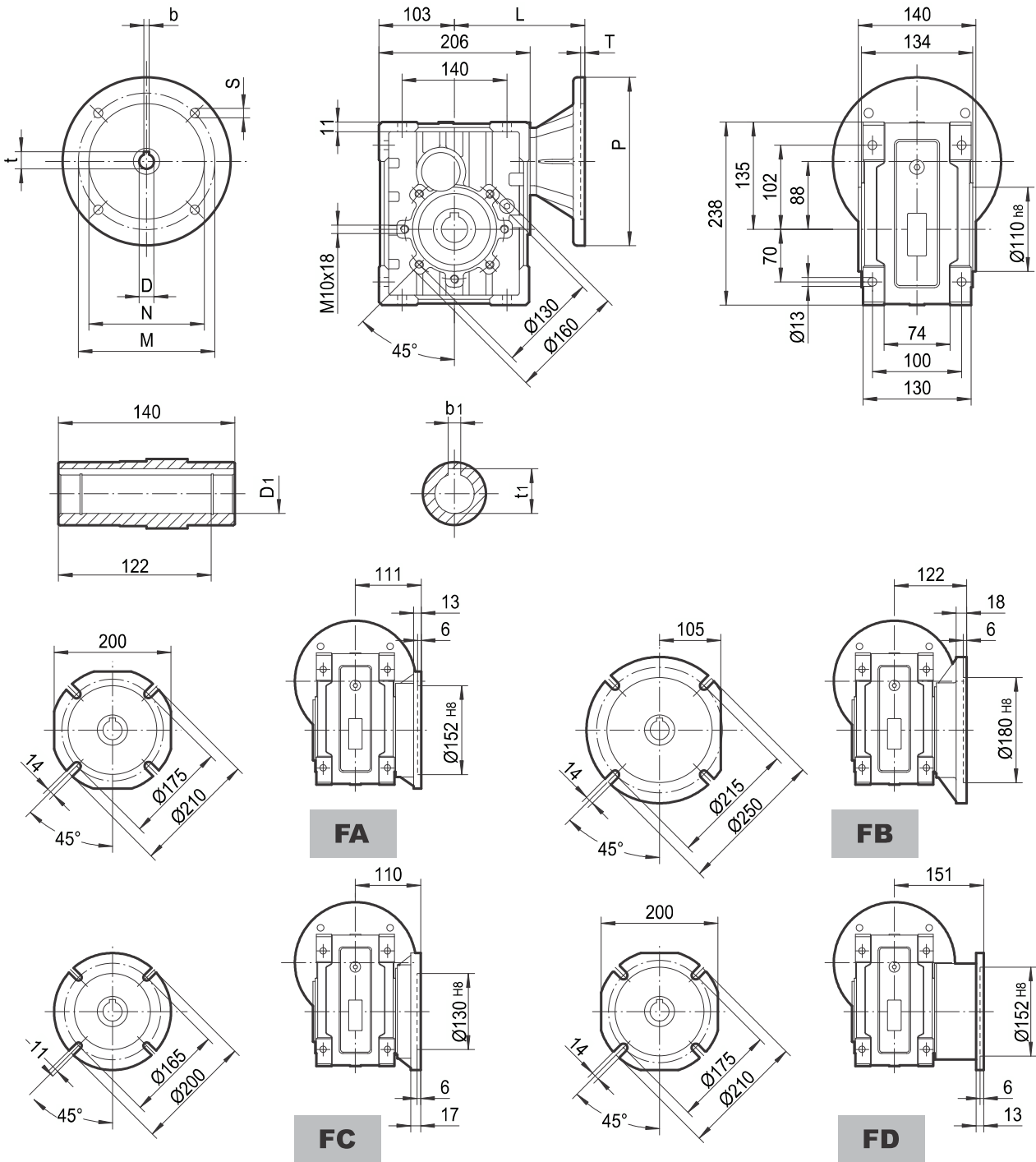
P <sub>1n</sub> [kW]	n <sub>2</sub> [r/min]	M <sub>2n</sub> [Nm]	i		F <sub>r2</sub> [N]	fs			Page	
			Nominal	Actual						
<b>2.2</b>	93	213	<b>15</b>	15.09	3730	1.4	<b>DKM58B</b>	<b>100B5/B14</b>	<b>100LA4</b>	42
	112	176	<b>12.5</b>	12.49	3510	2.7	<b>DKM58B</b>	<b>100B5/B14</b>	<b>100LA4</b>	50
	142	139	<b>10</b>	9.84	3240	2.7				
	187	106	<b>7.5</b>	7.48	2950	2.8				
	36	553	<b>25</b>	25.19	5130	0.9	<b>DKM58B</b>	<b>112B5/B14</b>	<b>112M6</b>	42
	45	435	<b>20</b>	19.84	4740	0.9	<b>DKM58B</b>	<b>112B5/B14</b>	<b>112M6</b>	50
	60	331	<b>15</b>	15.09	4330	0.9				
	72	274	<b>12.5</b>	12.49	4060	1.8				
	91	216	<b>10</b>	9.84	3750	1.8				
	120	164	<b>7.5</b>	7.48	3420	1.8				
	27.0	715	<b>100</b>	103.64	6260	0.9	<b>DKM68C</b>	<b>90B5</b>	<b>90L2</b>	45
	37	522	<b>75</b>	75.55	5630	1.0	<b>DKM68C</b>	<b>90B5</b>	<b>90L2</b>	53
	44	443	<b>60</b>	64.18	5330	1.7				
	55	355	<b>50</b>	51.37	4950	1.8				
	47	418	<b>60</b>	59.22	5190	1.8	<b>DKM68B</b>	<b>90B5</b>	<b>90L2</b>	44
	57	345	<b>50</b>	48.86	4870	2.2	<b>DKM68B</b>	<b>90B5</b>	<b>90L2</b>	52
	68	291	<b>40</b>	41.26	4600	2.6				
	91	216	<b>30</b>	30.67	4170	3.5				
	108	183	<b>25</b>	25.90	3940	4.1				
	23.6	835	<b>60</b>	59.22	6540	0.9	<b>DKM68B</b>	<b>100B5/B14</b>	<b>100LA4</b>	44
	28.7	689	<b>50</b>	48.86	6130	1.1	<b>DKM68B</b>	<b>100B5/B14</b>	<b>100LA4</b>	52
	34	582	<b>40</b>	41.26	5800	1.3				
	46	433	<b>30</b>	30.67	5250	1.7				
	54	365	<b>25</b>	25.90	4960	2.1				
	68	292	<b>20</b>	20.73	4610	2.2				
	93	213	<b>15</b>	15.11	4150	2.4				
	109	181	<b>12.5</b>	12.84	3930	4.1				
	29.3	673	<b>30</b>	30.67	6090	1.1	<b>DKM68B</b>	<b>112B5/B14</b>	<b>112M6</b>	44
	35	568	<b>25</b>	25.90	5750	1.3	<b>DKM68B</b>	<b>112B5/B14</b>	<b>112M6</b>	52
	43	455	<b>20</b>	20.73	5340	1.4				
	60	332	<b>15</b>	15.11	4810	1.6				
	70	282	<b>12.5</b>	12.84	4550	2.7				
88	225	<b>10</b>	10.27	4220	2.9					
120	164	<b>7.5</b>	7.49	3800	3.2					
<b>3.0</b>	70	386	<b>40</b>	40.13	3240	0.8	<b>DKM48B</b>	<b>100B5/B14</b>	<b>100L2</b>	40
	93	291	<b>30</b>	30.24	2950	1.2	<b>DKM48B</b>	<b>100B5/B14</b>	<b>100L2</b>	48
	111	242	<b>25</b>	25.19	2770	1.2				
	141	191	<b>20</b>	19.84	2560	1.3				
	186	145	<b>15</b>	15.09	2340	1.4				
	224	120	<b>12.5</b>	12.49	2190	2.5				
	285	95	<b>10</b>	9.84	2030	2.5				
	374	72	<b>7.5</b>	7.48	1850	2.8				
	112	240	<b>12.5</b>	12.49	2770	1.2	<b>DKM48B</b>	<b>100B5/B14</b>	<b>100LB4</b>	40
	142	189	<b>10</b>	9.84	2550	1.3	<b>DKM48B</b>	<b>100B5/B14</b>	<b>100LB4</b>	48
	187	144	<b>7.5</b>	7.48	2330	1.4				
	47	568	<b>60</b>	59.04	4670	0.9	<b>DKM58B</b>	<b>100B5/B14</b>	<b>100L2</b>	42
	58	463	<b>50</b>	48.18	4360	1.1	<b>DKM58B</b>	<b>100B5/B14</b>	<b>100L2</b>	50
	70	386	<b>40</b>	40.13	4110	1.2				
	93	291	<b>30</b>	30.24	3740	1.7				
	111	242	<b>25</b>	25.19	3520	2.0				
	141	191	<b>20</b>	19.84	3250	2.0				
	186	145	<b>15</b>	15.09	2960	2.1				
	224	120	<b>12.5</b>	12.49	2780	4.0				
	285	95	<b>10</b>	9.84	2570	4.0				
	374	72	<b>7.5</b>	7.48	2340	4.2				
	46	582	<b>30</b>	30.24	4710	0.9	<b>DKM58B</b>	<b>100B5/B14</b>	<b>100LB4</b>	42
	56	485	<b>25</b>	25.19	4430	1.0	<b>DKM58B</b>	<b>100B5/B14</b>	<b>100LB4</b>	50
	71	382	<b>20</b>	19.84	4090	1.0				
93	290	<b>15</b>	15.09	3730	1.0					

P <sub>1n</sub> [kW]	n <sub>2</sub> [r/min]	M <sub>2n</sub> [Nm]	i		F <sub>r2</sub> [N]	fs			Page	
			Nominal	Actual						
<b>3.0</b>	112	240	<b>12.5</b>	12.49	3510	2.0	<b>DKM58B</b>	<b>100B5/B14</b>	<b>100LB4</b>	42
	142	189	<b>10</b>	9.84	3240	2.0	<b>DKM58B</b>	<b>100B5/B14</b>	<b>100LB4</b>	50
	187	144	<b>7.5</b>	7.48	2950	2.1				
	44	604	<b>60</b>	64.18	5330	1.2	<b>DKM68C</b>	<b>100B5/B14</b>	<b>100L2</b>	45
	55	484	<b>50</b>	51.37	4950	1.3	<b>DKM68C</b>	<b>100B5/B14</b>	<b>100L2</b>	53
	47	570	<b>60</b>	59.22	5190	1.3	<b>DKM68B</b>	<b>100B5/B14</b>	<b>100L2</b>	44
	57	470	<b>50</b>	48.86	4870	1.6	<b>DKM68B</b>	<b>100B5/B14</b>	<b>100L2</b>	52
	68	397	<b>40</b>	41.26	4600	1.9				
	91	295	<b>30</b>	30.67	4170	2.5				
	108	249	<b>25</b>	25.90	3940	3.0				
	135	199	<b>20</b>	20.73	3660	3.3				
	185	145	<b>15</b>	15.11	3290	3.6				
	34	794	<b>40</b>	41.26	5800	0.9	<b>DKM68B</b>	<b>100B5/B14</b>	<b>100LB4</b>	44
	46	590	<b>30</b>	30.67	5250	1.3	<b>DKM68B</b>	<b>100B5/B14</b>	<b>100LB4</b>	52
	54	498	<b>25</b>	25.90	4960	1.5				
	68	399	<b>20</b>	20.73	4610	1.6				
	93	291	<b>15</b>	15.11	4150	1.8				
	109	247	<b>12.5</b>	12.84	3930	3.0				
	136	198	<b>10</b>	10.27	3650	3.3				
	187	144	<b>7.5</b>	7.49	3280	3.6				
	35	775	<b>25</b>	25.90	5750	1.0	<b>DKM68B</b>	<b>132B5</b>	<b>132S6</b>	44
	43	620	<b>20</b>	20.73	5340	1.0	<b>DKM68B</b>	<b>132B5</b>	<b>132S6</b>	52
	60	452	<b>15</b>	15.11	4810	1.2				
	70	384	<b>12.5</b>	12.84	4550	2.0				
88	307	<b>10</b>	10.27	4220	2.1					
120	224	<b>7.5</b>	7.49	3800	2.3					
<b>4.0</b>	93	388	<b>30</b>	30.24	2950	0.9	<b>DKM48B</b>	<b>112B5/B14</b>	<b>112M2</b>	40
	111	323	<b>25</b>	25.19	2770	0.9	<b>DKM48B</b>	<b>112B5/B14</b>	<b>112M2</b>	48
	141	254	<b>20</b>	19.84	2560	0.9				
	186	194	<b>15</b>	15.09	2340	1.0				
	224	160	<b>12.5</b>	12.49	2190	1.9				
	285	126	<b>10</b>	9.84	2030	1.9				
	374	96	<b>7.5</b>	7.48	1850	2.1				
	112	320	<b>12.5</b>	12.49	2770	0.9	<b>DKM48B</b>	<b>112B5/B14</b>	<b>112M4</b>	40
	142	252	<b>10</b>	9.84	2550	1.0	<b>DKM48B</b>	<b>112B5/B14</b>	<b>112M4</b>	48
	187	192	<b>7.5</b>	7.48	2330	1.0				
	70	515	<b>40</b>	40.13	4110	0.9	<b>DKM58B</b>	<b>112B5/B14</b>	<b>112M2</b>	42
	93	388	<b>30</b>	30.24	3740	1.3	<b>DKM58B</b>	<b>112B5/B14</b>	<b>112M2</b>	50
	111	323	<b>25</b>	25.19	3520	1.5				
	141	254	<b>20</b>	19.84	3250	1.5				
	186	194	<b>15</b>	15.09	2960	1.6				
	224	160	<b>12.5</b>	12.49	2780	3.0				
	285	126	<b>10</b>	9.84	2570	3.0				
	374	96	<b>7.5</b>	7.48	2340	3.1				
	112	320	<b>12.5</b>	12.49	3510	1.5	<b>DKM58B</b>	<b>112B5/B14</b>	<b>112M4</b>	42
	142	252	<b>10</b>	9.84	3240	1.5	<b>DKM58B</b>	<b>112B5/B14</b>	<b>112M4</b>	50
	187	192	<b>7.5</b>	7.48	2950	1.6				
	44	806	<b>60</b>	64.18	5330	0.9	<b>DKM68C</b>	<b>112B5/B14</b>	<b>112M2</b>	45
	55	645	<b>50</b>	51.37	4950	1.0	<b>DKM68C</b>	<b>112B5/B14</b>	<b>112M2</b>	53
	47	759	<b>60</b>	59.22	5190	1.0	<b>DKM68B</b>	<b>112B5/B14</b>	<b>112M2</b>	44
	57	627	<b>50</b>	48.86	4870	1.2	<b>DKM68B</b>	<b>112B5/B14</b>	<b>112M2</b>	52
	68	529	<b>40</b>	41.26	4600	1.4				
	91	393	<b>30</b>	30.67	4170	1.9				
	108	332	<b>25</b>	25.90	3940	2.3				
	135	266	<b>20</b>	20.73	3660	2.4				
	185	194	<b>15</b>	15.11	3290	2.7				
	46	787	<b>30</b>	30.67	5250	1.0	<b>DKM68B</b>	<b>112B5/B14</b>	<b>112M4</b>	44
	54	664	<b>25</b>	25.90	4960	1.1	<b>DKM68B</b>	<b>112B5/B14</b>	<b>112M4</b>	52
	68	532	<b>20</b>	20.73	4610	1.2				
	93	388	<b>15</b>	15.11	4150	1.3				
	109	329	<b>12.5</b>	12.84	3930	2.3				
	136	263	<b>10</b>	10.27	3650	2.5				
	187	192	<b>7.5</b>	7.49	3280	2.7				

**$n_1=1400\text{r/min}$** 

$M_{2\text{ max}}$ [Nm]	$n_2$ [r/min]	i Nominal	i Actual	$P_{1n}$ [kW]	$Fr_2$ [N]	$Fr_1$ [N]		Page
240	71	20	19.84	1.9	3230	860	<b>DKM48B...HS</b> <b>DKB48B...HS</b>	54
200	93	15	15.09	2.1	2950	860		54
300	112	12.5	12.49	3.7	2770	860		
240	142	10	9.84	3.8	2550	860		
200	187	7.5	7.48	4.2	2330	860		
500	4.7	300	295.18	0.27	8300	560	<b>DKM58C...HS</b> <b>DKB58C...HS</b>	54
500	5.8	250	240.89	0.33	8300	560		54
480	7.0	200	200.66	0.38	8300	560		
500	9.3	150	151.20	0.53	8050	560		
480	11.1	125	125.95	0.61	7580	560		
380	14.1	100	99.22	0.61	7000	560		
300	18.6	75	75.45	0.63	6390	560		
480	22	60	62.43	1.2	6000	560		
380	28	50	49.18	1.2	5540	560		
500	24	60	59.04	1.3	5890	1260	<b>DKM58B...HS</b> <b>DKB58B...HS</b>	54
500	29	50	48.18	1.6	5500	1260		54
480	35	40	40.13	1.9	5170	1260		
500	46	30	30.24	2.6	4710	1260		
480	56	25	25.19	3.0	4430	1260		
380	71	20	19.84	3.0	4090	1260		
300	93	15	15.09	3.1	3730	1260		
480	112	12.5	12.49	6.0	3510	1260		
380	142	10	9.84	6.0	3240	1260		
300	187	7.5	7.48	6.3	2950	1260		
750	4.7	300	296.10	0.40	10000	740	<b>DKM68C...HS</b> <b>DKB68C...HS</b>	54
750	5.7	250	244.29	0.49	10000	740		54
750	6.8	200	206.29	0.58	9920	740		
750	9.1	150	153.33	0.78	8980	740		
750	10.8	125	129.48	0.92	8490	740		
650	13.5	100	103.64	1.0	7880	740		
520	18.5	75	75.55	1.1	7090	740		
750	22	60	64.18	1.9	6720	740		
650	27	50	51.37	2.0	6240	740		
750	24	60	59.22	2.0	6540	1490	<b>DKM68B...HS</b> <b>DKB68B...HS</b>	54
750	29	50	48.86	2.4	6130	1490		54
750	34	40	41.26	2.8	5800	1490		
750	46	30	30.67	3.8	5250	1490		
750	54	25	25.90	4.5	4960	1490		
650	68	20	20.73	4.9	4610	1490		
520	93	15	15.11	5.4	4150	1490		
750	109	12.5	12.84	9.1	3930	1490		
650	136	10	10.27	9.9	3650	1490		
520	187	7.5	7.49	10.8	3280	1490		

### DKM58B..



IEC	D <sub>E8</sub>	b	t	P	M	N	S	T	L	D <sub>1</sub> H <sub>8</sub>	b <sub>1</sub>	t <sub>1</sub>
71B5	14	5	16.3	160	130	110	9	4	162	35	10	38.3
80B5	19	6	21.8	200	165	130	11	4	182	38*	10*	41.3*
80B14	19	6	21.8	120	100	80	7	4	182	40*	10*	43.3*
90B5	24	8	27.3	200	165	130	11	4	182	* Solo su richiesta * Only on request		
90B14	24	8	27.3	140	115	95	9	4	182			
100/112B5	28	8	31.3	250	215	180	13.5	4.5	192			
100/112B14	28	8	31.3	160	130	110	9	4.5	192			

Peso senza motore

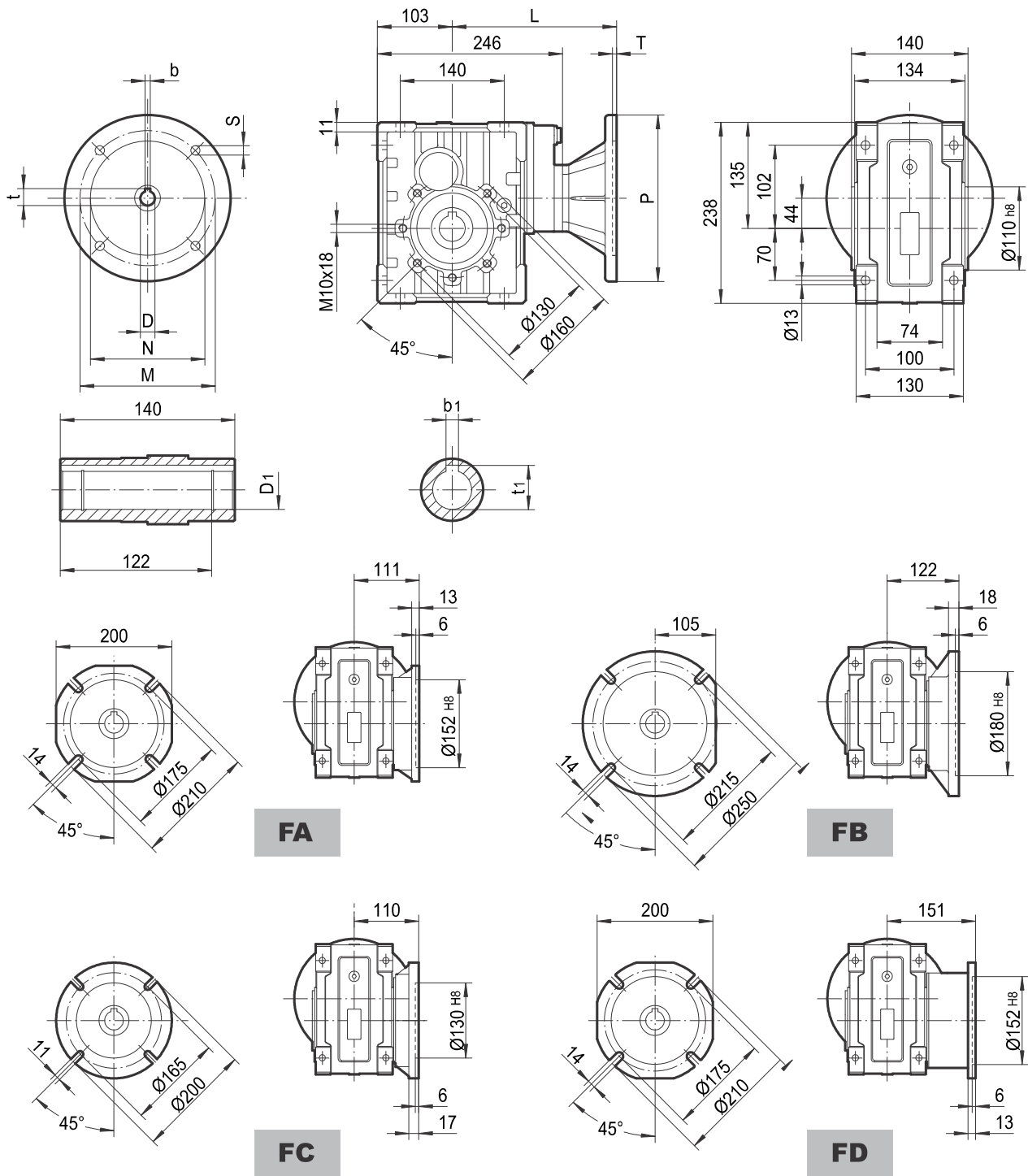
≈ 13.3 kg

Weight without motor

≈ 13.3 kg



**DKM58C..**



**FA**

**FB**

**FC**

**FD**

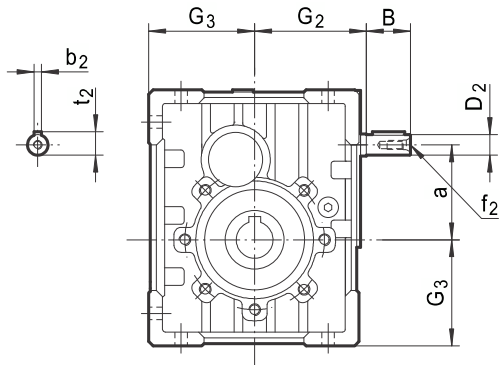
IEC	D <sub>E8</sub>	b	t	P	M	N	S	T	L	D <sub>1</sub> H <sub>8</sub>	b <sub>1</sub>	t <sub>1</sub>
63B5	11	4	12.8	140	115	95	9	4	195	35	10	38.3
71B5	14	5	16.3	160	130	110	9	4	202	38*	10*	41.3*
80B5	19	6	21.8	200	165	130	11	4	222	40*	10*	43.3*
80B14	19	6	21.8	120	100	80	7	4	222	* Solo su richiesta * Only on request		
90B5	24	8	27.3	200	165	130	11	4	222			
90B14	24	8	27.3	140	115	95	9	4	222			

Peso senza motore  
≈ 14.8 kg

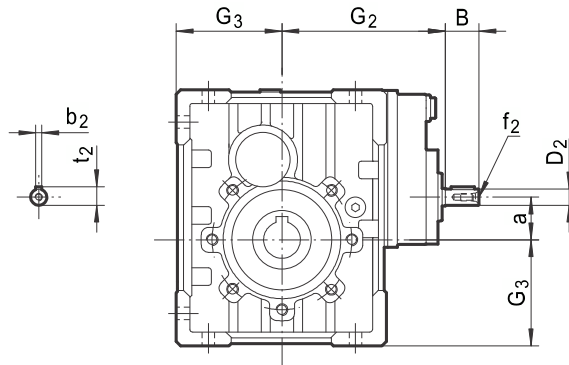
Weight without motor  
≈ 14.8 kg

## 7.3 DKM..HS Dimensioni / Outline Dimension

### DKM..B..HS



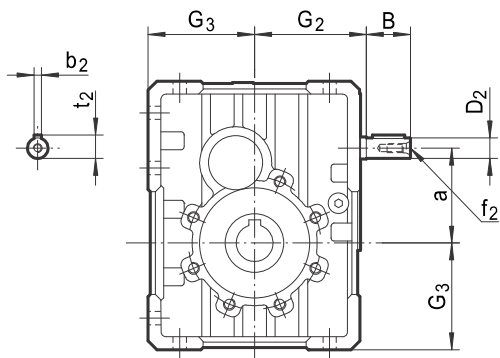
### DKM..C..HS



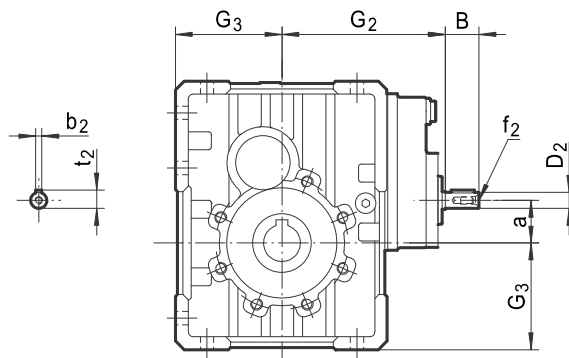
	B	D <sub>2 j6</sub>	G <sub>2</sub>	G <sub>3</sub>	a	b <sub>2</sub>	f <sub>2</sub>	t <sub>2</sub>
DKM28B	23	11	65	60	57	4	-	12.5
DKM28C	23	11	100	60	21.5	4	-	12.5
DKM38B	30	14	76	72	64.5	5	M6	16
DKM38C	23	11	111	72	29	4	-	12.5
DKM48B	40	16	91	86	74.5	5	M6	18
DKM48C	30	14	132	86	30.5	5	M6	16
DKM58B	40	19	107	103	88	6	M6	21.5
DKM58C	30	14	148	103	44	5	M6	16
DKM68B	50	24	132	127.5	108	8	M8	27
DKM68C	40	19	181	127.5	52	6	M6	21.5

## 7.4 DKB..HS Dimensioni / Outline Dimension

### DKB..B..HS



### DKB..C..HS



	B	D <sub>2 j6</sub>	G <sub>2</sub>	G <sub>3</sub>	a	b <sub>2</sub>	f <sub>2</sub>	t <sub>2</sub>
DKB38B	30	14	76	72.5	64.5	5	M6	16
DKB38C	23	11	111	72.5	29	4	-	12.5
DKB48B	40	16	91	87	74.5	5	M6	18
DKB48C	30	14	132	87	30.5	5	M6	16
DKB58B	40	19	107	100	88	6	M6	21.5
DKB58C	30	14	148	100	44	5	M6	16
DKB68B	50	24	132	125	108	8	M8	27
DKB68C	40	19	181	125	52	6	M6	21.5