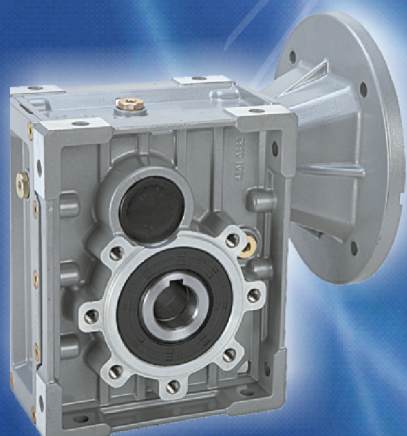


**- SERIE DKM / DKB -**

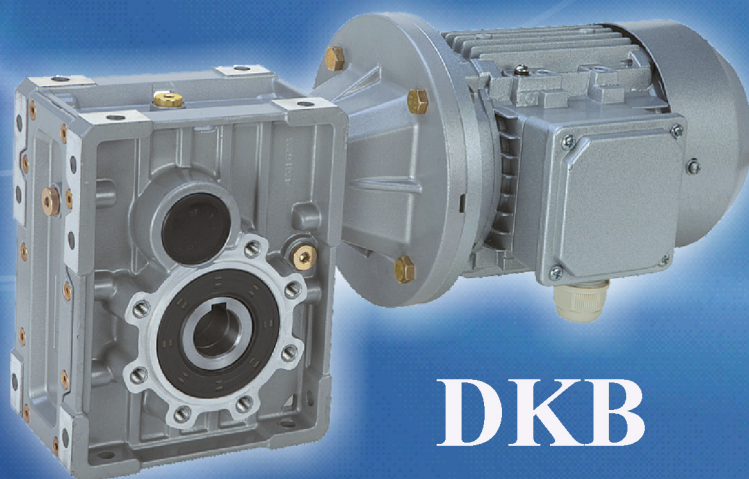
**Riduttori ad assi ortogonali**  
*Helical - Hypoid Gear Units*

**ELLE.GI SRL**

*Organi di  
Trasmissione*



**DKM**



**DKB**



## 6. TABELLA SELEZIONE RIDUTTORI / GEAR UNIT SELECTION TABLES

### 6.1 Possibili combinazioni / Possible geometrical combinations

**DKM28..**

$n_1=1400$  r/min

**130Nm**

Gear units		i Nominal	i Actual	$n_2$ [r/min]	$M_2$ max [Nm]	$F_{r2}$ [N]	63B5	71B5 71B14	80B5 80B14	90B5 90B14
<b>3 Stadio / Stage</b>										
DKM28C		300	291.79	4.8	130	4100				
DKM28C		250	244.29	5.7	130	4100				
DKM28C		200	200.44	7.0	130	4100				
DKM28C		150	146.67	9.5	130	4000				
DKM28C		125	120.34	11.6	100	3770				
DKM28C		100	101.04	13.9	80	3560				
DKM28C		75	74.62	18.8	130	3220				
DKM28C		60	62.36	22	100	3030				
DKM28C		50	52.36	27	110	2860				
<b>2 Stadio / Stage</b>										
DKM28B		60	58.36	24	130	2960				
DKM28B		50	48.86	29	130	2790				
DKM28B		40	40.09	35	130	2610				
DKM28B		30	29.33	48	130	2350				
DKM28B		25	24.07	58	130	2200				
DKM28B		20	20.21	69	100	2080				
DKM28B		15	14.92	94	80	1880				
DKM28B		12.5	12.47	112	130	1770				
DKM28B		10	10.47	134	100	1670				
DKM28B		7.5	7.73	181	80	1510				

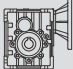
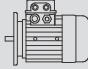
**DKM38..; DKM38..**

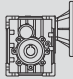
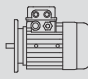
$n_1=1400$  r/min

**200Nm**

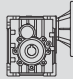
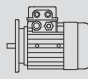
Gear units		i Nominal	i Actual	$n_2$ [r/min]	$M_2$ max [Nm]	$F_{r2}$ [N]	63B5	71B5 71B14	80B5 80B14	90B5 90B14
<b>3 Stadio / Stage</b>										
DKM38C	DKB38C	300	302.50	4.6	200	4800				
DKM38C	DKB38C	250	243.57	5.7	200	4800				
DKM38C	DKB38C	200	196.43	7.1	180	4800				
DKM38C	DKB38C	150	151.56	9.2	200	4650				
DKM38C	DKB38C	125	122.22	11.5	180	4330				
DKM38C	DKB38C	100	101.27	13.8	150	4070				
DKM38C	DKB38C	75	73.33	19.1	110	3650				
DKM38C	DKB38C	60	63.33	22	180	3480				
DKM38C	DKB38C	50	52.48	27	150	3270				
<b>2 Stadio / Stage</b>										
DKM38B	DKB38B	60	60.50	23	200	3430				
DKM38B	DKB38B	50	48.71	29	200	3190				
DKM38B	DKB38B	40	39.29	36	180	2970				
DKM38B	DKB38B	30	30.31	46	200	2720				
DKM38B	DKB38B	25	24.44	57	180	2530				
DKM38B	DKB38B	20	20.25	69	150	2380				
DKM38B	DKB38B	15	14.67	95	110	2130				
DKM38B	DKB38B	12.5	12.67	110	180	2030				
DKM38B	DKB38B	10	10.50	133	150	1910				
DKM38B	DKB38B	7.5	7.60	184	110	1710				

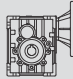
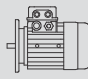
6.2 DKM.. / DKB..(IEC).. Prestazioni / Performance parameter

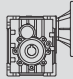
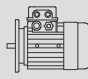
P <sub>1n</sub> [kW]	n <sub>2</sub> [r/min]	M <sub>2n</sub> [Nm]	i		F <sub>r2</sub> [N]	fs			Page	
			Nominal	Actual						
<b>0.12</b>	5.7	184	<b>250</b>	244.29	4100	0.7	<b>DKM28C</b>	<b>63B5</b>	<b>6314</b>	37
	7.0	151	<b>200</b>	200.44	4100	0.9				
	9.5	110	<b>150</b>	146.67	4000	1.2				
	11.6	91	<b>125</b>	120.34	3770	1.4				
	13.9	76	<b>100</b>	101.04	3560	1.3				
	18.8	56	<b>75</b>	74.62	3220	1.4				
	22.5	47	<b>60</b>	62.36	3030	2.8				
	26.7	39	<b>50</b>	52.36	2860	2.5				
	24.0	45	<b>60</b>	58.36	2960	2.9	<b>DKM28B</b>	<b>63B5</b>	<b>6314</b>	36
	28.7	38	<b>50</b>	48.86	2790	3.5				
	35	31	<b>40</b>	40.09	2610	4.2				
	48	23	<b>30</b>	29.33	2350	5.8				
	58	18.5	<b>25</b>	24.07	2200	7.0				
	69	15.6	<b>20</b>	20.21	2080	6.4				
	94	11.5	<b>15</b>	14.92	1880	7.0				
	112	9.6	<b>12.5</b>	12.47	1770	13.5				
	134	8.1	<b>10</b>	10.47	1670	12.4				
	181	5.9	<b>7.5</b>	7.73	1510	13.5				
4.6	228	<b>300</b>	302.50	4800	0.9	<b>DKM38C</b>	<b>63B5</b>	<b>6314</b>	39	
5.7	183	<b>250</b>	243.57	4800	1.1	<b>DKB38C</b>	<b>63B5</b>	<b>6314</b>		
7.1	148	<b>200</b>	196.43	4800	1.2				47	
9.2	114	<b>150</b>	151.56	4650	1.8					
11.5	92	<b>125</b>	122.22	4330	2.0					
13.8	76	<b>100</b>	101.27	4070	2.0					
19.1	55	<b>75</b>	73.33	3650	2.0					
22.1	48	<b>60</b>	63.33	3480	3.8					
26.7	40	<b>50</b>	52.48	3270	3.8					
23.1	47	<b>60</b>	60.50	3430	4.3	<b>DKM38B</b>	<b>63B5</b>	<b>6314</b>		
28.7	37	<b>50</b>	48.71	3190	5.3	<b>DKB38B</b>	<b>63B5</b>	<b>6314</b>		
36	30	<b>40</b>	39.29	2970	6.0					
46	23	<b>30</b>	30.31	2720	8.6					
4.7	224	<b>300</b>	297.21	6500	1.6	<b>DKM48C</b>	<b>63B5</b>	<b>6314</b>	41	
5.8	181	<b>250</b>	240.89	6500	1.9	<b>DKB48C</b>	<b>63B5</b>	<b>6314</b>		
7.0	151	<b>200</b>	200.66	6500	2.0				49	
9.3	114	<b>150</b>	151.20	6500	3.1					
11.1	95	<b>125</b>	125.95	5980	3.2					
14.1	75	<b>100</b>	99.22	5520	3.2					
18.6	57	<b>75</b>	75.45	5040	3.5					
4.7	222	<b>300</b>	295.18	8300	2.2	<b>DKM58C</b>	<b>63B5</b>	<b>6314</b>		43
5.8	181	<b>250</b>	240.89	8300	2.8	<b>DKB58C</b>	<b>63B5</b>	<b>6314</b>		
7.0	151	<b>200</b>	200.66	8300	3.2				51	
9.3	114	<b>150</b>	151.20	8050	4.4					
9.6	165	<b>300</b>	291.79	4000	0.8	<b>DKM28C</b>	<b>63B5</b>	<b>6312</b>		
<b>0.18</b>	11.5	138	<b>250</b>	244.29	3790	0.9				37
	14.0	113	<b>200</b>	200.44	3550	1.1				
	19.1	83	<b>150</b>	146.67	3200	1.6				
	23.3	68	<b>125</b>	120.34	2990	1.9				
	27.7	57	<b>100</b>	101.04	2820	1.8				
	38	42	<b>75</b>	74.62	2550	1.9				
	45	35	<b>60</b>	62.36	2400	3.7				
	53	30	<b>50</b>	52.36	2270	3.4				
	48	34	<b>60</b>	58.36	2350	3.9	<b>DKM28B</b>	<b>63B5</b>	<b>6312</b>	
	57	28	<b>50</b>	48.86	2220	4.6				
	70	23	<b>40</b>	40.09	2070	5.6				

P <sub>1n</sub> [kW]	n <sub>2</sub> [r/min]	M <sub>2n</sub> [Nm]	i		F <sub>r2</sub> [N]	fs			Page	
			Nominal	Actual						
<b>0.18</b>	95	16.9	<b>30</b>	29.33	1870	7.7	<b>DKM28B</b>	<b>63B5</b>	<b>6312</b>	36
	116	13.9	<b>25</b>	24.07	1750	9.4				
	11.6	136	<b>125</b>	120.34	3770	1.0	<b>DKM28C</b>	<b>63B5</b>	<b>6324</b>	37
	13.9	114	<b>100</b>	101.04	3560	0.9				
	18.8	84	<b>75</b>	74.62	3220	0.9				
	22.5	70	<b>60</b>	62.36	3030	1.8				
	26.7	59	<b>50</b>	52.36	2860	1.7				
	24.0	67	<b>60</b>	58.36	2960	1.9	<b>DKM28B</b>	<b>63B5</b>	<b>6324</b>	36
	28.7	56	<b>50</b>	48.86	2790	2.3				
	35	46	<b>40</b>	40.09	2610	2.8				
	48	34	<b>30</b>	29.33	2350	3.8				
	58	28	<b>25</b>	24.07	2200	4.7				
	69	23	<b>20</b>	20.21	2080	4.3				
	94	17.2	<b>15</b>	14.92	1880	4.6				
	112	14.4	<b>12.5</b>	12.47	1770	9.0				
	134	12.1	<b>10</b>	10.47	1670	8.3				
	181	8.9	<b>7.5</b>	7.73	1510	9.0				
	14.4	110	<b>60</b>	62.36	3510	1.2	<b>DKM28C</b>	<b>71B5/B14</b>	<b>7116</b>	37
	17.2	92	<b>50</b>	52.36	3310	1.1				
	15.4	105	<b>60</b>	58.36	3430	1.2	<b>DKM28B</b>	<b>71B5/B14</b>	<b>7116</b>	36
	18.4	88	<b>50</b>	48.86	3240	1.5				
	22.4	72	<b>40</b>	40.09	3030	1.8				
	31	53	<b>30</b>	29.33	2730	2.5				
	37	43	<b>25</b>	24.07	2550	3.0				
	45	36	<b>20</b>	20.21	2410	2.8				
	60	27	<b>15</b>	14.92	2180	3.0				
	72	22	<b>12.5</b>	12.47	2050	5.8				
	86	18.8	<b>10</b>	10.47	1930	5.3				
	116	13.9	<b>7.5</b>	7.73	1750	5.8				
	9.3	171	<b>300</b>	302.50	4650	1.2	<b>DKM38C</b>	<b>63B5</b>	<b>6312</b>	39
	11.5	138	<b>250</b>	243.57	4330	1.5	<b>DKB38C</b>	<b>63B5</b>	<b>6312</b>	47
	14.3	111	<b>200</b>	196.43	4030	1.6				
	18.5	86	<b>150</b>	151.56	3690	2.3				
	22.9	69	<b>125</b>	122.22	3440	2.6				
	27.6	57	<b>100</b>	101.27	3230	2.6				
	38	41	<b>75</b>	73.33	2900	2.7				
	44	36	<b>60</b>	63.33	2760	5.0				
	53	30	<b>50</b>	52.48	2590	5.1				
	7.1	222	<b>200</b>	196.43	4800	0.8	<b>DKM38C</b>	<b>63B5</b>	<b>6324</b>	39
	9.2	171	<b>150</b>	151.56	4650	1.2	<b>DKB38C</b>	<b>63B5</b>	<b>6324</b>	47
	11.5	138	<b>125</b>	122.22	4330	1.3				
	13.8	114	<b>100</b>	101.27	4070	1.3				
19.1	83	<b>75</b>	73.33	3650	1.3					
22.1	72	<b>60</b>	63.33	3480	2.5					
26.7	59	<b>50</b>	52.48	3270	2.5					
23.1	70	<b>60</b>	60.50	3430	2.9	<b>DKM38B</b>	<b>63B5</b>	<b>6324</b>	38	
28.7	56	<b>50</b>	48.71	3190	3.6	<b>DKB38B</b>	<b>63B5</b>	<b>6324</b>	46	
36	45	<b>40</b>	39.29	2970	4.0					
12.3	129	<b>75</b>	73.33	4230	0.9	<b>DKM38C</b>	<b>71B5/B14</b>	<b>7116</b>	39	
14.2	111	<b>60</b>	63.33	4030	1.6	<b>DKB38C</b>	<b>71B5/B14</b>	<b>7116</b>	47	
17.1	92	<b>50</b>	52.48	3790	1.6					
14.9	109	<b>60</b>	60.50	3970	1.8	<b>DKM38B</b>	<b>71B5/B14</b>	<b>7116</b>	38	
18.5	87	<b>50</b>	48.71	3690	2.3	<b>DKB38B</b>	<b>71B5/B14</b>	<b>7116</b>	46	
22.9	71	<b>40</b>	39.29	3440	2.6					
29.7	54	<b>30</b>	30.31	3150	3.7					
37	44	<b>25</b>	24.44	2930	4.1					
44	36	<b>20</b>	20.25	2760	4.1					
61	26	<b>15</b>	14.67	2470	4.2					

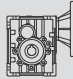
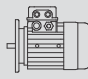


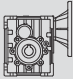
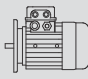
P <sub>1n</sub> [kW]	n <sub>2</sub> [r/min]	M <sub>2n</sub> [Nm]	i		F <sub>r2</sub> [N]	fs			Page	
			Nominal	Actual						
<b>0.25</b>	35	64	<b>40</b>	40.09	2610	2.0	<b>DKM28B</b>	<b>71B5/B14</b>	<b>7114</b>	36
	48	47	<b>30</b>	29.33	2350	2.8				
	58	39	<b>25</b>	24.07	2200	3.4				
	69	32	<b>20</b>	20.21	2080	3.1				
	94	24	<b>15</b>	14.92	1880	3.3				
	15.4	146	<b>60</b>	58.36	3430	0.9	<b>DKM28B</b>	<b>71B5/B14</b>	<b>7126</b>	36
	18.4	122	<b>50</b>	48.86	3240	1.1				
	22.4	100	<b>40</b>	40.09	3030	1.3				
	31	73	<b>30</b>	29.33	2730	1.8				
	37	60	<b>25</b>	24.07	2550	2.2				
	45	50	<b>20</b>	20.21	2410	2.0				
	60	37	<b>15</b>	14.92	2180	2.2				
	72	31	<b>12.5</b>	12.47	2050	4.2				
	86	26	<b>10</b>	10.47	1930	3.8				
	116	19.3	<b>7.5</b>	7.73	1750	4.2				
11.5	191	<b>250</b>	243.57	4330	1.0	<b>DKM38C</b>	<b>63B5</b>	<b>6322</b>	39	
14.3	154	<b>200</b>	196.43	4030	1.2	<b>DKB38C</b>	<b>63B5</b>	<b>6322</b>	47	
18.5	119	<b>150</b>	151.56	3690	1.7					
22.9	96	<b>125</b>	122.22	3440	1.9					
27.6	79	<b>100</b>	101.27	3230	1.9					
38	58	<b>75</b>	73.33	2900	1.9					
44	50	<b>60</b>	63.33	2760	3.6					
53	41	<b>50</b>	52.48	2590	3.6					
11.5	192	<b>125</b>	122.22	4330	0.9	<b>DKM38C</b>	<b>71B5/B14</b>	<b>7114</b>	39	
13.8	159	<b>100</b>	101.27	4070	0.9	<b>DKB38C</b>	<b>71B5/B14</b>	<b>7114</b>	47	
19.1	115	<b>75</b>	73.33	3650	1.0					
22.1	99	<b>60</b>	63.33	3480	1.8					
26.7	82	<b>50</b>	52.48	3270	1.8					
23.1	97	<b>60</b>	60.50	3430	2.1	<b>DKM38B</b>	<b>71B5/B14</b>	<b>7114</b>	38	
28.7	78	<b>50</b>	48.71	3190	2.6	<b>DKB38B</b>	<b>71B5/B14</b>	<b>7114</b>	46	
36	63	<b>40</b>	39.29	2970	2.9					
46	49	<b>30</b>	30.31	2720	4.1					
14.2	155	<b>60</b>	63.33	4030	1.2	<b>DKM38C</b>	<b>71B5/B14</b>	<b>7126</b>	39	
17.1	128	<b>50</b>	52.48	3790	1.2	<b>DKB38C</b>	<b>71B5/B14</b>	<b>7126</b>	47	
14.9	151	<b>60</b>	60.50	3970	1.3	<b>DKM38B</b>	<b>71B5/B14</b>	<b>7126</b>	38	
18.5	121	<b>50</b>	48.71	3690	1.6	<b>DKB38B</b>	<b>71B5/B14</b>	<b>7126</b>	46	
22.9	98	<b>40</b>	39.29	3440	1.8					
29.7	76	<b>30</b>	30.31	3150	2.6					
37	61	<b>25</b>	24.44	2930	3.0					
44	50	<b>20</b>	20.25	2760	3.0					
61	37	<b>15</b>	14.67	2470	3.0					
9.4	233	<b>300</b>	297.21	6320	1.5	<b>DKM48C</b>	<b>63B5</b>	<b>6322</b>	41	
11.6	189	<b>250</b>	240.89	5890	1.9	<b>DKB48C</b>	<b>63B5</b>	<b>6322</b>	49	
14.0	157	<b>200</b>	200.66	5540	1.9					
18.5	119	<b>150</b>	151.20	5040	3.0					
22.2	99	<b>125</b>	125.95	4750	3.0					
28.2	78	<b>100</b>	99.22	4380	3.1					
37	59	<b>75</b>	75.45	4000	3.4					
5.8	378	<b>250</b>	240.89	6500	0.9	<b>DKM48C</b>	<b>71B5</b>	<b>7114</b>	41	
7.0	315	<b>200</b>	200.66	6500	1.0	<b>DKB48C</b>	<b>71B5</b>	<b>7114</b>	49	
9.3	237	<b>150</b>	151.20	6500	1.5					
11.1	198	<b>125</b>	125.95	5980	1.5					
14.1	156	<b>100</b>	99.22	5520	1.5					
18.6	118	<b>75</b>	75.45	5040	1.7					
22.4	98	<b>60</b>	62.43	4730	3.1					
28.5	77	<b>50</b>	49.18	4370	3.1					
6.0	369	<b>150</b>	151.20	6500	0.9	<b>DKM48C</b>	<b>71B5</b>	<b>7126</b>	41	
7.1	307	<b>125</b>	125.95	6500	1.0	<b>DKB48C</b>	<b>71B5</b>	<b>7126</b>	49	

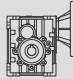
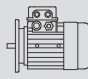
P <sub>1n</sub> [kW]	n <sub>2</sub> [r/min]	M <sub>2n</sub> [Nm]	i		F <sub>r2</sub> [N]	fs			Page	
			Nominal	Actual						
<b>0.37</b>	94	35	<b>15</b>	14.92	1880	2.3	<b>DKM28C</b>	<b>71B5/B14</b>	<b>7124</b>	36
	112	30	<b>12.5</b>	12.47	1770	4.4				
	134	25	<b>10</b>	10.47	1670	4.0				
	181	18.3	<b>7.5</b>	7.73	1510	4.4				
	22.4	148	<b>40</b>	40.09	3030	0.9	<b>DKM28C</b>	<b>80B5/B14</b>	<b>8016</b>	36
	31	108	<b>30</b>	29.33	2730	1.2				
	37	89	<b>25</b>	24.07	2550	1.5				
	45	75	<b>20</b>	20.21	2410	1.3				
	60	55	<b>15</b>	14.92	2180	1.5				
	72	46	<b>12.5</b>	12.47	2050	2.8				
	86	39	<b>10</b>	10.47	1930	2.6				
	116	29	<b>7.5</b>	7.73	1750	2.8				
	18.5	176	<b>150</b>	151.56	3690	1.1	<b>DKM38C</b>	<b>71B5/B14</b>	<b>7112</b>	39
	22.9	142	<b>125</b>	122.22	3440	1.3	<b>DKB38C</b>	<b>71B5/B14</b>	<b>7112</b>	47
	27.6	118	<b>100</b>	101.27	3230	1.3				
38	85	<b>75</b>	73.33	2900	1.3					
44	74	<b>60</b>	63.33	2760	2.4					
53	61	<b>50</b>	52.48	2590	2.5					
46	72	<b>60</b>	60.50	2720	2.8	<b>DKM38B</b>	<b>71B5/B14</b>	<b>7112</b>	38	
57	58	<b>50</b>	48.71	2530	3.5	<b>DKB38B</b>	<b>71B5/B14</b>	<b>7112</b>	46	
71	47	<b>40</b>	39.29	2350	3.9					
22.1	147	<b>60</b>	63.33	3480	1.2	<b>DKM38C</b>	<b>71B5/B14</b>	<b>7124</b>	39	
26.7	122	<b>50</b>	52.48	3270	1.2	<b>DKB38C</b>	<b>71B5/B14</b>	<b>7124</b>	47	
23.1	144	<b>60</b>	60.50	3430	1.4	<b>DKM38B</b>	<b>71B5/B14</b>	<b>7124</b>	38	
28.7	116	<b>50</b>	48.71	3190	1.7	<b>DKB38B</b>	<b>71B5/B14</b>	<b>7124</b>	46	
36	93	<b>40</b>	39.29	2970	1.9					
46	72	<b>30</b>	30.31	2720	2.8					
57	58	<b>25</b>	24.44	2530	3.1					
69	48	<b>20</b>	20.25	2380	3.1					
95	35	<b>15</b>	14.67	2130	3.2					
14.9	223	<b>60</b>	60.50	3970	0.9	<b>DKM38B</b>	<b>80B5/B14</b>	<b>8016</b>	38	
18.5	180	<b>50</b>	48.71	3690	1.1	<b>DKB38B</b>	<b>80B5/B14</b>	<b>8016</b>	46	
22.9	145	<b>40</b>	39.29	3440	1.2					
29.7	112	<b>30</b>	30.31	3150	1.8					
37	90	<b>25</b>	24.44	2930	2.0					
44	75	<b>20</b>	20.25	2760	2.0					
61	54	<b>15</b>	14.67	2470	2.0					
71	47	<b>12.5</b>	12.67	2360	3.8					
86	39	<b>10</b>	10.50	2210	3.9					
118	28	<b>7.5</b>	7.60	1990	3.9					
9.4	345	<b>300</b>	297.21	6320	1.0	<b>DKM48C</b>	<b>71B5</b>	<b>7112</b>	41	
11.6	280	<b>250</b>	240.89	5890	1.3	<b>DKB48C</b>	<b>71B5</b>	<b>7112</b>	49	
14.0	233	<b>200</b>	200.66	5540	1.3					
18.5	176	<b>150</b>	151.20	5040	2.0					
22.2	146	<b>125</b>	125.95	4750	2.1					
28.2	115	<b>100</b>	99.22	4380	2.1					
37	88	<b>75</b>	75.45	4000	2.3					
45	72	<b>60</b>	62.43	3750	4.1					
57	57	<b>50</b>	49.18	3470	4.2					
9.3	351	<b>150</b>	151.20	6500	1.0	<b>DKM48C</b>	<b>71B5</b>	<b>7124</b>	41	
11.1	292	<b>125</b>	125.95	5980	1.0	<b>DKB48C</b>	<b>71B5</b>	<b>7124</b>	49	
14.1	230	<b>100</b>	99.22	5520	1.0					
18.6	175	<b>75</b>	75.45	5040	1.1					
22.4	145	<b>60</b>	62.43	4730	2.1					
28.5	114	<b>50</b>	49.18	4370	2.1					
23.6	141	<b>60</b>	59.44	4660	2.5	<b>DKM48B</b>	<b>71B5</b>	<b>7124</b>	40	
29.1	114	<b>50</b>	48.18	4340	3.1	<b>DKB48B</b>	<b>71B5</b>	<b>7124</b>	48	
35	95	<b>40</b>	40.13	4080	3.2					

P <sub>1n</sub> [kW]	n <sub>2</sub> [r/min]	M <sub>2n</sub> [Nm]	i		F <sub>r2</sub> [N]	fs			Page	
			Nominal	Actual						
<b>0.55</b>	45	108	<b>60</b>	62.36	2400	1.2	<b>DKM28C</b>	<b>71B5/B14</b>	<b>7122</b>	37
	53	90	<b>50</b>	52.36	2270	1.1				
	48	103	<b>60</b>	58.36	2350	1.3	<b>DKM28B</b>	<b>71B5/B14</b>	<b>7122</b>	36
	57	86	<b>50</b>	48.86	2220	1.5				
	70	71	<b>40</b>	40.09	2070	1.8				
	95	52	<b>30</b>	29.33	1870	2.5				
	116	42	<b>25</b>	24.07	1750	3.1				
	139	36	<b>20</b>	20.21	1650	2.8				
	188	26	<b>15</b>	14.92	1490	3.0				
	35	141	<b>40</b>	40.09	2610	0.9	<b>DKM28B</b>	<b>80B5/B14</b>	<b>8014</b>	36
48	103	<b>30</b>	29.33	2350	1.3					
58	85	<b>25</b>	24.07	2200	1.5					
69	71	<b>20</b>	20.21	2080	1.4					
94	53	<b>15</b>	14.92	1880	1.5					
112	44	<b>12.5</b>	12.47	1770	3.0					
134	37	<b>10</b>	10.47	1670	2.7					
181	27	<b>7.5</b>	7.73	1510	2.9					
37	132	<b>25</b>	24.07	2550	1.0	<b>DKM28B</b>	<b>80B5/B14</b>	<b>8026</b>	36	
45	111	<b>20</b>	20.21	2410	0.9					
60	82	<b>15</b>	14.92	2180	1.0					
72	68	<b>12.5</b>	12.47	2050	1.9					
86	57	<b>10</b>	10.47	1930	1.7					
116	42	<b>7.5</b>	7.73	1750	1.9					
22.9	211	<b>125</b>	122.22	3440	0.9	<b>DKM38C</b>	<b>71B5/B14</b>	<b>7122</b>	39	
27.6	175	<b>100</b>	101.27	3230	0.9	<b>DKB38C</b>	<b>71B5/B14</b>	<b>7122</b>	47	
38	127	<b>75</b>	73.33	2900	0.9					
44	109	<b>60</b>	63.33	2760	1.6					
53	91	<b>50</b>	52.48	2590	1.7					
46	107	<b>60</b>	60.50	2720	1.9	<b>DKM38B</b>	<b>71B5/B14</b>	<b>7122</b>	38	
57	86	<b>50</b>	48.71	2530	2.3	<b>DKB38B</b>	<b>71B5/B14</b>	<b>7122</b>	46	
71	69	<b>40</b>	39.29	2350	2.6					
92	53	<b>30</b>	30.31	2160	3.7					
23.1	213	<b>60</b>	60.50	3430	0.9	<b>DKM38B</b>	<b>80B5/B14</b>	<b>8014</b>	38	
28.7	172	<b>50</b>	48.71	3190	1.2	<b>DKB38B</b>	<b>80B5/B14</b>	<b>8014</b>	46	
36	139	<b>40</b>	39.29	2970	1.3					
46	107	<b>30</b>	30.31	2720	1.9					
57	86	<b>25</b>	24.44	2530	2.1					
69	71	<b>20</b>	20.25	2380	2.1					
95	52	<b>15</b>	14.67	2130	2.1					
110	45	<b>12.5</b>	12.67	2030	4.0					
133	37	<b>10</b>	10.50	1910	4.1					
184	27	<b>7.5</b>	7.60	1710	4.1					
22.9	216	<b>40</b>	39.29	3440	0.8	<b>DKM38B</b>	<b>80B5/B14</b>	<b>8026</b>	38	
29.7	166	<b>30</b>	30.31	3150	1.2	<b>DKB38B</b>	<b>80B5/B14</b>	<b>8026</b>	46	
37	134	<b>25</b>	24.44	2930	1.3					
44	111	<b>20</b>	20.25	2760	1.4					
61	80	<b>15</b>	14.67	2470	1.4					
71	70	<b>12.5</b>	12.67	2360	2.6					
86	58	<b>10</b>	10.50	2210	2.6					
118	42	<b>7.5</b>	7.60	1990	2.6					
14.0	346	<b>200</b>	200.66	5540	0.9	<b>DKM48C</b>	<b>71B5</b>	<b>7122</b>	41	
18.5	261	<b>150</b>	151.20	5040	1.3	<b>DKB48C</b>	<b>71B5</b>	<b>7122</b>	49	
22.2	217	<b>125</b>	125.95	4750	1.4					
28.2	171	<b>100</b>	99.22	4380	1.4					
37	130	<b>75</b>	75.45	4000	1.5					
45	108	<b>60</b>	62.43	3750	2.8					
57	85	<b>50</b>	49.18	3470	2.8					

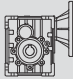
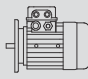


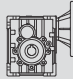
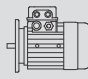
P <sub>1n</sub> [kW]	n <sub>2</sub> [r/min]	M <sub>2n</sub> [Nm]	i		F <sub>r2</sub> [N]	fs			Page	
			Nominal	Actual						
<b>0.55</b>	5.7	843	<b>250</b>	244.29	10000	0.9	<b>DKM68C</b>	<b>80B5</b>	<b>8014</b>	45
	6.8	712	<b>200</b>	206.29	9920	1.1	<b>DKB68C</b>	<b>80B5</b>	<b>8014</b>	53
	9.1	529	<b>150</b>	153.33	8980	1.4				
	10.8	447	<b>125</b>	129.48	8490	1.7				
	13.5	358	<b>100</b>	103.64	7880	1.8				
	18.5	261	<b>75</b>	75.55	7090	2.0				
	21.8	222	<b>60</b>	64.18	6720	3.4				
	27.3	177	<b>50</b>	51.37	6240	3.7				
	23.6	209	<b>60</b>	59.22	6540	3.6	<b>DKM68B</b>	<b>80B5</b>	<b>8014</b>	44
	28.7	172	<b>50</b>	48.86	6130	4.4	<b>DKB68B</b>	<b>80B5</b>	<b>8014</b>	52
	5.9	823	<b>150</b>	153.33	10000	0.9	<b>DKM68C</b>	<b>80B5</b>	<b>8026</b>	45
	7.0	695	<b>125</b>	129.48	9840	1.1	<b>DKB68C</b>	<b>80B5</b>	<b>8026</b>	53
	8.7	556	<b>100</b>	103.64	9130	1.2				
	11.9	406	<b>75</b>	75.55	8220	1.3				
	14.0	345	<b>60</b>	64.18	7780	2.2				
	17.5	276	<b>50</b>	51.37	7230	2.4				
	15.2	325	<b>60</b>	59.22	7580	2.3	<b>DKM68B</b>	<b>80B5</b>	<b>8026</b>	44
	18.4	268	<b>50</b>	48.86	7110	2.8	<b>DKB68B</b>	<b>80B5</b>	<b>8026</b>	52
	21.8	226	<b>40</b>	41.26	6720	3.3				
	<b>0.75</b>	48	140	<b>60</b>	58.36	2350	0.9	<b>DKM28B</b>	<b>80B5/B14</b>	<b>8012</b>
57		117	<b>50</b>	48.86	2220	1.1	<b>DKB28B</b>	<b>80B5/B14</b>	<b>8012</b>	36
70		96	<b>40</b>	40.09	2070	1.3				
95		71	<b>30</b>	29.33	1870	1.8				
116		58	<b>25</b>	24.07	1750	2.2				
139		49	<b>20</b>	20.21	1650	2.1				
188		36	<b>15</b>	14.92	1490	2.2				
225		30	<b>12.5</b>	12.47	1400	4.3				
267		25	<b>10</b>	10.47	1320	4.0				
362		18.6	<b>7.5</b>	7.73	1200	4.3				
48		141	<b>30</b>	29.33	2350	0.9	<b>DKM28B</b>	<b>80B5/B14</b>	<b>8024</b>	36
58		116	<b>25</b>	24.07	2200	1.1	<b>DKB28B</b>	<b>80B5/B14</b>	<b>8024</b>	36
69		97	<b>20</b>	20.21	2080	1.0				
94		72	<b>15</b>	14.92	1880	1.1				
112		60	<b>12.5</b>	12.47	1770	2.2				
134		50	<b>10</b>	10.47	1670	2.0				
181		37	<b>7.5</b>	7.73	1510	2.2				
72		93	<b>12.5</b>	12.47	2050	1.4	<b>DKM28B</b>	<b>90B5/B14</b>	<b>90S6</b>	36
86		78	<b>10</b>	10.47	1930	1.3				
116		58	<b>7.5</b>	7.73	1750	1.4				
44		149	<b>60</b>	63.33	2760	1.2	<b>DKM38C</b>	<b>80B5/B14</b>	<b>8012</b>	39
53		124	<b>50</b>	52.48	2590	1.2	<b>DKB38C</b>	<b>80B5/B14</b>	<b>8012</b>	47
46		145	<b>60</b>	60.50	2720	1.4	<b>DKM38B</b>	<b>80B5/B14</b>	<b>8012</b>	38
57		117	<b>50</b>	48.71	2530	1.7	<b>DKB38B</b>	<b>80B5/B14</b>	<b>8012</b>	46
71		94	<b>40</b>	39.29	2350	1.9				
92		73	<b>30</b>	30.31	2160	2.7				
115		59	<b>25</b>	24.44	2010	3.1				
138		49	<b>20</b>	20.25	1890	3.1				
191		35	<b>15</b>	14.67	1690	3.1				
28.7		234	<b>50</b>	48.71	3190	0.9	<b>DKM38B</b>	<b>80B5/B14</b>	<b>8024</b>	38
36	189	<b>40</b>	39.29	2970	1.0	<b>DKB38B</b>	<b>80B5/B14</b>	<b>8024</b>	46	
46	146	<b>30</b>	30.31	2720	1.4					
57	118	<b>25</b>	24.44	2530	1.5					
69	97	<b>20</b>	20.25	2380	1.5					
95	71	<b>15</b>	14.67	2130	1.6					
110	61	<b>12.5</b>	12.67	2030	3.0					
133	50	<b>10</b>	10.50	1910	3.0					
184	37	<b>7.5</b>	7.60	1710	3.0					

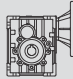
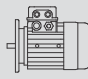
P <sub>1n</sub> [kW]	n <sub>2</sub> [r/min]	M <sub>2n</sub> [Nm]	i		F <sub>r2</sub> [N]	fs			Page	
			Nominal	Actual						
<b>0.75</b>	29.7	227	<b>30</b>	30.31	3150	0.9	<b>DKM38B</b>	<b>90B5/B14</b>	<b>90S6</b>	38
	37	183	<b>25</b>	24.44	2930	1.0	<b>DKB38B</b>	<b>90B5/B14</b>	<b>90S6</b>	46
	44	151	<b>20</b>	20.25	2760	1.0				
	61	110	<b>15</b>	14.67	2470	1.0				
	71	95	<b>12.5</b>	12.67	2360	1.9				
	86	79	<b>10</b>	10.50	2210	1.9				
	118	57	<b>7.5</b>	7.60	1990	1.9				
	18.5	356	<b>150</b>	151.20	5040	1.0	<b>DKM48C</b>	<b>80B5/B14</b>	<b>8012</b>	41
	22.2	296	<b>125</b>	125.95	4750	1.0	<b>DKB48C</b>	<b>80B5/B14</b>	<b>8012</b>	49
	28.2	234	<b>100</b>	99.22	4380	1.0				
37	178	<b>75</b>	75.45	4000	1.1					
45	147	<b>60</b>	62.43	3750	2.0					
57	116	<b>50</b>	49.18	3470	2.1					
47	143	<b>60</b>	59.44	3690	2.4	<b>DKM48B</b>	<b>80B5/B14</b>	<b>8012</b>	40	
58	116	<b>50</b>	48.18	3440	3.0	<b>DKB48B</b>	<b>80B5/B14</b>	<b>8012</b>	48	
70	96	<b>40</b>	40.13	3240	3.1					
22.4	294	<b>60</b>	62.43	4730	1.0	<b>DKM48C</b>	<b>80B5/B14</b>	<b>8024</b>	41	
28.5	231	<b>50</b>	49.18	4370	1.0	<b>DKB48C</b>	<b>80B5/B14</b>	<b>8024</b>	49	
23.6	286	<b>60</b>	59.44	4660	1.2	<b>DKM48B</b>	<b>80B5/B14</b>	<b>8024</b>	40	
29.1	232	<b>50</b>	48.18	4340	1.5	<b>DKB48B</b>	<b>80B5/B14</b>	<b>8024</b>	48	
35	193	<b>40</b>	40.13	4080	1.6					
46	145	<b>30</b>	30.24	3720	2.4					
56	121	<b>25</b>	25.19	3500	2.5					
71	95	<b>20</b>	19.84	3230	2.5					
93	73	<b>15</b>	15.09	2950	2.8					
18.7	360	<b>50</b>	48.18	5030	1.0	<b>DKM48B</b>	<b>90B5/B14</b>	<b>90S6</b>	40	
22.4	300	<b>40</b>	40.13	4730	1.0	<b>DKB48B</b>	<b>90B5/B14</b>	<b>90S6</b>	48	
29.8	226	<b>30</b>	30.24	4310	1.5					
36	188	<b>25</b>	25.19	4050	1.6					
45	148	<b>20</b>	19.84	3740	1.6					
60	113	<b>15</b>	15.09	3410	1.8					
72	93	<b>12.5</b>	12.49	3210	3.2					
91	74	<b>10</b>	9.84	2960	3.3					
120	56	<b>7.5</b>	7.48	2700	3.6					
11.6	567	<b>250</b>	240.89	7470	0.9	<b>DKM58C</b>	<b>80B5/B14</b>	<b>8012</b>	43	
14.0	472	<b>200</b>	200.66	7030	1.0	<b>DKB58C</b>	<b>80B5/B14</b>	<b>8012</b>	51	
18.5	356	<b>150</b>	151.20	6390	1.4					
22.2	296	<b>125</b>	125.95	6010	1.6					
28.2	234	<b>100</b>	99.22	5550	1.6					
37	178	<b>75</b>	75.45	5070	1.7					
45	147	<b>60</b>	62.43	4760	3.3					
57	116	<b>50</b>	49.18	4390	3.3					
47	142	<b>60</b>	59.04	4670	3.5	<b>DKM58B</b>	<b>80B5/B14</b>	<b>8012</b>	42	
58	116	<b>50</b>	48.18	4360	4.3	<b>DKB58B</b>	<b>80B5/B14</b>	<b>8012</b>	50	
22.4	294	<b>60</b>	62.43	6000	1.6	<b>DKM58C</b>	<b>80B5/B14</b>	<b>8024</b>	43	
28.5	231	<b>50</b>	49.18	5540	1.6	<b>DKB58C</b>	<b>80B5/B14</b>	<b>8024</b>	51	
23.7	284	<b>60</b>	59.04	5890	1.8	<b>DKM58B</b>	<b>80B5/B14</b>	<b>8024</b>	42	
29.1	232	<b>50</b>	48.18	5500	2.2	<b>DKB58B</b>	<b>80B5/B14</b>	<b>8024</b>	50	
35	193	<b>40</b>	40.13	5170	2.5					
46	145	<b>30</b>	30.24	4710	3.4					
56	121	<b>25</b>	25.19	4430	4.0					
71	95	<b>20</b>	19.84	4090	4.0					
93	73	<b>15</b>	15.09	3730	4.1					
14.4	457	<b>60</b>	62.43	6950	1.1	<b>DKM58C</b>	<b>90B5/B14</b>	<b>90S6</b>	43	
18.3	360	<b>50</b>	49.18	6420	1.1	<b>DKB58C</b>	<b>90B5/B14</b>	<b>90S6</b>	51	

P <sub>1n</sub> [kW]	n <sub>2</sub> [r/min]	M <sub>2n</sub> [Nm]	i		F <sub>r2</sub> [N]	fs			Page	
			Nominal	Actual						
<b>0.75</b>	15.2	442	<b>60</b>	59.04	6820	1.1	<b>DKM58B</b>	<b>90B5/B14</b>	<b>90S6</b>	42
	18.7	360	<b>50</b>	48.18	6370	1.4	<b>DKB58B</b>	<b>90B5/B14</b>	<b>90S6</b>	50
	22.4	300	<b>40</b>	40.13	6000	1.6				
	29.8	226	<b>30</b>	30.24	5460	2.2				
	36	188	<b>25</b>	25.19	5130	2.5				
	45	148	<b>20</b>	19.84	4740	2.6				
	60	113	<b>15</b>	15.09	4330	2.7				
	9.5	697	<b>300</b>	296.10	8880	1.1	<b>DKM68C</b>	<b>80B5</b>	<b>8012</b>	45
	11.5	575	<b>250</b>	244.29	8330	1.3	<b>DKB68C</b>	<b>80B5</b>	<b>8012</b>	53
	13.6	485	<b>200</b>	206.29	7870	1.5				
	18.3	361	<b>150</b>	153.33	7130	2.1				
	21.6	305	<b>125</b>	129.48	6740	2.5				
	27.0	244	<b>100</b>	103.64	6260	2.7				
	37	178	<b>75</b>	75.55	5630	2.9				
	9.1	722	<b>150</b>	153.33	8980	1.0	<b>DKM68C</b>	<b>80B5</b>	<b>8024</b>	45
	10.8	609	<b>125</b>	129.48	8490	1.2	<b>DKB68C</b>	<b>80B5</b>	<b>8024</b>	53
	13.5	488	<b>100</b>	103.64	7880	1.3				
	18.5	356	<b>75</b>	75.55	7090	1.5				
	21.8	302	<b>60</b>	64.18	6720	2.5				
	27.3	242	<b>50</b>	51.37	6240	2.7				
	23.6	285	<b>60</b>	59.22	6540	2.6	<b>DKM68B</b>	<b>80B5</b>	<b>8024</b>	44
	28.7	235	<b>50</b>	48.86	6130	3.2	<b>DKB68B</b>	<b>80B5</b>	<b>8024</b>	52
	34	198	<b>40</b>	41.26	5800	3.8				
	8.7	759	<b>100</b>	103.64	9130	0.9	<b>DKM68C</b>	<b>90B5</b>	<b>90S6</b>	45
	11.9	553	<b>75</b>	75.55	8220	0.9	<b>DKB68C</b>	<b>90B5</b>	<b>90S6</b>	53
	14.0	470	<b>60</b>	64.18	7780	1.6				
	17.5	376	<b>50</b>	51.37	7230	1.7				
	15.2	443	<b>60</b>	59.22	7580	1.7	<b>DKM68B</b>	<b>90B5</b>	<b>90S6</b>	44
	18.4	366	<b>50</b>	48.86	7110	2.1	<b>DKB68B</b>	<b>90B5</b>	<b>90S6</b>	52
	21.8	309	<b>40</b>	41.26	6720	2.4				
	29.3	229	<b>30</b>	30.67	6090	3.3				
	35	194	<b>25</b>	25.90	5750	3.9				
43	155	<b>20</b>	20.73	5340	4.2					
<b>1.1</b>	70	141	<b>40</b>	40.09	2070	0.9	<b>DKM28B</b>	<b>80B5/B14</b>	<b>8022</b>	36
	95	103	<b>30</b>	29.33	1870	1.3				
	116	85	<b>25</b>	24.07	1750	1.5				
	139	71	<b>20</b>	20.21	1650	1.4				
	188	53	<b>15</b>	14.92	1490	1.5				
	225	44	<b>12.5</b>	12.47	1400	3.0				
	267	37	<b>10</b>	10.47	1320	2.7				
	362	27	<b>7.5</b>	7.73	1200	2.9				
	112	88	<b>12.5</b>	12.47	1770	1.5	<b>DKM28B</b>	<b>90B5/B14</b>	<b>90S4</b>	36
	134	74	<b>10</b>	10.47	1670	1.4				
	181	55	<b>7.5</b>	7.73	1510	1.5				
	72	137	<b>12.5</b>	12.47	2050	1.0	<b>DKM28B</b>	<b>90B5/B14</b>	<b>90L6</b>	36
	86	115	<b>10</b>	10.47	1930	0.9				
	116	85	<b>7.5</b>	7.73	1750	0.9				
	46	213	<b>60</b>	60.50	2720	0.9	<b>DKM38B</b>	<b>80B5/B14</b>	<b>8022</b>	38
	57	172	<b>50</b>	48.71	2530	1.2	<b>DKB38B</b>	<b>80B5/B14</b>	<b>8022</b>	46
	71	139	<b>40</b>	39.29	2350	1.3				
	92	107	<b>30</b>	30.31	2160	1.9				
	115	86	<b>25</b>	24.44	2010	2.1				
	138	71	<b>20</b>	20.25	1890	2.1				
	191	52	<b>15</b>	14.67	1690	2.1				
	221	45	<b>12.5</b>	12.67	1610	4.0				
	267	37	<b>10</b>	10.50	1510	4.1				
	368	27	<b>7.5</b>	7.60	1360	4.1				



P <sub>1n</sub> [kW]	n <sub>2</sub> [r/min]	M <sub>2n</sub> [Nm]	i		F <sub>r2</sub> [N]	fs			Page	
			Nominal	Actual						
<b>1.1</b>	46	214	<b>30</b>	30.31	2720	0.9	<b>DKM38B</b>	<b>90B5/B14</b>	<b>90S4</b>	38
	57	172	<b>25</b>	24.44	2530	1.0	<b>DKB38B</b>	<b>90B5/B14</b>	<b>90S4</b>	46
	69	143	<b>20</b>	20.25	2380	1.1				
	95	103	<b>15</b>	14.67	2130	1.1				
	110	89	<b>12.5</b>	12.67	2030	2.0				
	133	74	<b>10</b>	10.50	1910	2.0				
	184	54	<b>7.5</b>	7.60	1710	2.1				
	71	139	<b>12.5</b>	12.67	2360	1.3	<b>DKM38B</b>	<b>90B5/B14</b>	<b>90L6</b>	38
	86	115	<b>10</b>	10.50	2210	1.3	<b>DKB38B</b>	<b>90B5/B14</b>	<b>90L6</b>	46
	118	83	<b>7.5</b>	7.60	1990	1.3				
45	215	<b>60</b>	62.43	3750	1.4	<b>DKM48C</b>	<b>80B5/B14</b>	<b>8022</b>	41	
57	170	<b>50</b>	49.18	3470	1.4	<b>DKB48C</b>	<b>80B5/B14</b>	<b>8022</b>	49	
47	210	<b>60</b>	59.44	3690	1.7	<b>DKM48B</b>	<b>80B5/B14</b>	<b>8022</b>	40	
58	170	<b>50</b>	48.18	3440	2.1	<b>DKB48B</b>	<b>80B5/B14</b>	<b>8022</b>	48	
70	142	<b>40</b>	40.13	3240	2.1					
93	107	<b>30</b>	30.24	2950	3.3					
111	89	<b>25</b>	25.19	2770	3.4					
141	70	<b>20</b>	19.84	2560	3.4					
186	53	<b>15</b>	15.09	2340	3.8					
29.1	340	<b>50</b>	48.18	4340	1.0	<b>DKM48B</b>	<b>90B5/B14</b>	<b>90S4</b>	40	
35	283	<b>40</b>	40.13	4080	1.1	<b>DKB48B</b>	<b>90B5/B14</b>	<b>90S4</b>	48	
46	213	<b>30</b>	30.24	3720	1.6					
56	178	<b>25</b>	25.19	3500	1.7					
71	140	<b>20</b>	19.84	3230	1.7					
93	106	<b>15</b>	15.09	2950	1.9					
112	88	<b>12.5</b>	12.49	2770	3.4					
142	69	<b>10</b>	9.84	2550	3.5					
187	53	<b>7.5</b>	7.48	2330	3.8					
29.8	332	<b>30</b>	30.24	4310	1.1	<b>DKM48B</b>	<b>90B5/B14</b>	<b>90L6</b>	40	
36	276	<b>25</b>	25.19	4050	1.1	<b>DKB48B</b>	<b>90B5/B14</b>	<b>90L6</b>	48	
45	218	<b>20</b>	19.84	3740	1.1					
60	166	<b>15</b>	15.09	3410	1.2					
72	137	<b>12.5</b>	12.49	3210	2.2					
91	108	<b>10</b>	9.84	2960	2.2					
120	82	<b>7.5</b>	7.48	2700	2.4					
18.5	522	<b>150</b>	151.20	6390	1.0	<b>DKM58C</b>	<b>80B5/B14</b>	<b>8022</b>	43	
22.2	435	<b>125</b>	125.95	6010	1.1	<b>DKM48C</b>	<b>80B5/B14</b>	<b>8022</b>	51	
28.2	342	<b>100</b>	99.22	5550	1.1					
37	260	<b>75</b>	75.45	5070	1.2					
45	215	<b>60</b>	62.43	4760	2.2					
57	170	<b>50</b>	49.18	4390	2.2					
47	208	<b>60</b>	59.04	4670	2.4	<b>DKM58B</b>	<b>80B5/B14</b>	<b>8022</b>	42	
58	170	<b>50</b>	48.18	4360	2.9	<b>DKM48B</b>	<b>80B5/B14</b>	<b>8022</b>	50	
70	142	<b>40</b>	40.13	4110	3.4					
22.4	431	<b>60</b>	62.43	6000	1.1	<b>DKM58C</b>	<b>90B5/B14</b>	<b>90S4</b>	43	
28.5	340	<b>50</b>	49.18	5540	1.1	<b>DKM48C</b>	<b>90B5/B14</b>	<b>90S4</b>	51	
23.7	416	<b>60</b>	59.04	5890	1.2	<b>DKM58B</b>	<b>90B5/B14</b>	<b>90S4</b>	42	
29.1	340	<b>50</b>	48.18	5500	1.5	<b>DKM48B</b>	<b>90B5/B14</b>	<b>90S4</b>	50	
35	283	<b>40</b>	40.13	5170	1.7					
46	213	<b>30</b>	30.24	4710	2.3					
56	178	<b>25</b>	25.19	4430	2.7					
71	140	<b>20</b>	19.84	4090	2.7					
93	106	<b>15</b>	15.09	3730	2.8					
18.7	529	<b>50</b>	48.18	6370	0.9	<b>DKM58B</b>	<b>90B5/B14</b>	<b>90L6</b>	42	
22.4	440	<b>40</b>	40.13	6000	1.1	<b>DKM48B</b>	<b>90B5/B14</b>	<b>90L6</b>	50	
29.8	332	<b>30</b>	30.24	5460	1.5					
36	276	<b>25</b>	25.19	5130	1.7					
45	218	<b>20</b>	19.84	4740	1.7					
60	166	<b>15</b>	15.09	4330	1.8					

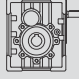
P <sub>1n</sub> [kW]	n <sub>2</sub> [r/min]	M <sub>2n</sub> [Nm]	i		F <sub>r2</sub> [N]	fs			Page	
			Nominal	Actual						
<b>1.1</b>	72	137	<b>12.5</b>	12.49	4060	3.5	<b>DKM58B</b>	<b>90B5/B14</b>	<b>90L6</b>	42
	91	108	<b>10</b>	9.84	3750	3.5	<b>DKM48B</b>	<b>90B5/B14</b>	<b>90L6</b>	50
	120	82	<b>7.5</b>	7.48	3420	3.7				
	11.5	843	<b>250</b>	244.29	8330	0.9	<b>DKM68C</b>	<b>80B5</b>	<b>8022</b>	45
	13.6	712	<b>200</b>	206.29	7870	1.1	<b>DKM68C</b>	<b>80B5</b>	<b>8022</b>	53
	18.3	529	<b>150</b>	153.33	7130	1.4				
	21.6	447	<b>125</b>	129.48	6740	1.7				
	27.0	358	<b>100</b>	103.64	6260	1.8				
	37	261	<b>75</b>	75.55	5630	2.0				
	44	222	<b>60</b>	64.18	5330	3.4				
	55	177	<b>50</b>	51.37	4950	3.7				
	47.3	209	<b>60</b>	59.22	5190	3.6	<b>DKM68B</b>	<b>80B5</b>	<b>8022</b>	44
	57	172	<b>50</b>	48.86	4870	4.4	<b>DKM68B</b>	<b>80B5</b>	<b>8022</b>	52
	13.5	715	<b>100</b>	103.64	7880	0.9	<b>DKM68C</b>	<b>90B5</b>	<b>90S4</b>	45
	18.5	522	<b>75</b>	75.55	7090	1.0	<b>DKM68C</b>	<b>90B5</b>	<b>90S4</b>	53
	21.8	443	<b>60</b>	64.18	6720	1.7				
	27.3	355	<b>50</b>	51.37	6240	1.8				
	23.6	418	<b>60</b>	59.22	6540	1.8	<b>DKM68B</b>	<b>90B5</b>	<b>90S4</b>	44
	28.7	345	<b>50</b>	48.86	6130	2.2	<b>DKM68B</b>	<b>90B5</b>	<b>90S4</b>	52
	34	291	<b>40</b>	41.26	5800	2.6				
	46	216	<b>30</b>	30.67	5250	3.5				
	54	183	<b>25</b>	25.90	4960	4.1				
	14.0	689	<b>60</b>	64.18	7780	1.1	<b>DKM68C</b>	<b>90B5</b>	<b>90L6</b>	45
	17.5	552	<b>50</b>	51.37	7230	1.2	<b>DKM68C</b>	<b>90B5</b>	<b>90L6</b>	53
	15.2	650	<b>60</b>	59.22	7580	1.2	<b>DKM68B</b>	<b>90B5</b>	<b>90L6</b>	44
	18.4	536	<b>50</b>	48.86	7110	1.4	<b>DKM68B</b>	<b>90B5</b>	<b>90L6</b>	52
	21.8	453	<b>40</b>	41.26	6720	1.7				
	29.3	337	<b>30</b>	30.67	6090	2.2				
	35	284	<b>25</b>	25.90	5750	2.6				
	43	227	<b>20</b>	20.73	5340	2.9				
60	166	<b>15</b>	15.11	4810	3.1					
<b>1.5</b>	95	141	<b>30</b>	29.33	1870	0.9	<b>DKM28B</b>	<b>90B5/B14</b>	<b>90S2</b>	36
	116	116	<b>25</b>	24.07	1750	1.1				
	139	97	<b>20</b>	20.21	1650	1.0				
	188	72	<b>15</b>	14.92	1490	1.1				
	225	60	<b>12.5</b>	12.47	1400	2.2				
	267	50	<b>10</b>	10.47	1320	2.0				
	362	37	<b>7.5</b>	7.73	1200	2.2				
	112	120	<b>12.5</b>	12.47	1770	1.1	<b>DKM28B</b>	<b>90B5/B14</b>	<b>90L4</b>	36
	134	101	<b>10</b>	10.47	1670	1.0				
	181	74	<b>7.5</b>	7.73	1510	1.1				
	57	234	<b>50</b>	48.71	2530	0.9	<b>DKM38B</b>	<b>90B5/B14</b>	<b>90S2</b>	38
	71	189	<b>40</b>	39.29	2350	1.0	<b>DKM38B</b>	<b>90B5/B14</b>	<b>90S2</b>	46
	92	146	<b>30</b>	30.31	2160	1.4				
	115	118	<b>25</b>	24.44	2010	1.5				
	138	97	<b>20</b>	20.25	1890	1.5				
	191	71	<b>15</b>	14.67	1690	1.6				
	221	61	<b>12.5</b>	12.67	1610	3.0				
	267	50	<b>10</b>	10.50	1510	3.0				
	368	37	<b>7.5</b>	7.60	1360	3.0				
	57	235	<b>25</b>	24.44	2530	0.8	<b>DKM38B</b>	<b>90B5/B14</b>	<b>90L4</b>	38
	69	195	<b>20</b>	20.25	2380	0.8	<b>DKM38B</b>	<b>90B5/B14</b>	<b>90L4</b>	46
	95	141	<b>15</b>	14.67	2130	0.8				
	110	122	<b>12.5</b>	12.67	2030	1.5				
	133	101	<b>10</b>	10.50	1910	1.5				
	184	73	<b>7.5</b>	7.60	1710	1.5				
	45	294	<b>60</b>	62.43	3750	1.0	<b>DKM48C</b>	<b>90B5/B14</b>	<b>90S2</b>	41
	57	231	<b>50</b>	49.18	3470	1.0	<b>DKM48C</b>	<b>90B5/B14</b>	<b>90S2</b>	49

P <sub>1n</sub> [kW]	n <sub>2</sub> [r/min]	M <sub>2n</sub> [Nm]	i		F <sub>r2</sub> [N]	fs			Page	
			Nominal	Actual						
<b>1.5</b>	23.6	570	<b>60</b>	59.22	6540	1.3	<b>DKM68B</b>	<b>90B5</b>	<b>90L4</b>	44
	28.7	470	<b>50</b>	48.86	6130	1.6	<b>DKM68B</b>	<b>90B5</b>	<b>90L4</b>	52
	34	397	<b>40</b>	41.26	5800	1.9				
	46	295	<b>30</b>	30.67	5250	2.5				
	54	249	<b>25</b>	25.90	4960	3.0				
	68	199	<b>20</b>	20.73	4610	3.3				
	93	145	<b>15</b>	15.11	4150	3.6				
	15.2	886	<b>60</b>	59.22	7580	0.8	<b>DKM68B</b>	<b>100B5/B14</b>	<b>100L6</b>	44
	18.4	731	<b>50</b>	48.86	7110	1.0	<b>DKM68B</b>	<b>100B5/B14</b>	<b>100L6</b>	52
	21.8	617	<b>40</b>	41.26	6720	1.2				
	29.3	459	<b>30</b>	30.67	6090	1.6				
	35	388	<b>25</b>	25.90	5750	1.9				
	43	310	<b>20</b>	20.73	5340	2.1				
	60	226	<b>15</b>	15.11	4810	2.3				
	70	192	<b>12.5</b>	12.84	4550	3.9				
	88	154	<b>10</b>	10.27	4220	4.2				
120	112	<b>7.5</b>	7.49	3800	4.6					
<b>2.2</b>	225	88	<b>12.5</b>	12.47	1400	1.5	<b>DKM28B</b>	<b>90B5/B14</b>	<b>90L2</b>	36
	267	74	<b>10</b>	10.47	1320	1.4				
	362	55	<b>7.5</b>	7.73	1200	1.5				
	92	214	<b>30</b>	30.31	2160	0.9	<b>DKM38B</b>	<b>90B5/B14</b>	<b>90L2</b>	38
	115	172	<b>25</b>	24.44	2010	1.0	<b>DKM38B</b>	<b>90B5/B14</b>	<b>90L2</b>	46
	138	143	<b>20</b>	20.25	1890	1.1				
	191	103	<b>15</b>	14.67	1690	1.1				
	221	89	<b>12.5</b>	12.67	1610	2.0				
	267	74	<b>10</b>	10.50	1510	2.0				
	368	54	<b>7.5</b>	7.60	1360	2.1				
	58	340	<b>50</b>	48.18	3440	1.0	<b>DKM48B</b>	<b>90B5/B14</b>	<b>90L2</b>	40
	70	283	<b>40</b>	40.13	3240	1.1	<b>DKM48B</b>	<b>90B5/B14</b>	<b>90L2</b>	48
	93	213	<b>30</b>	30.24	2950	1.6				
	111	178	<b>25</b>	25.19	2770	1.7				
	141	140	<b>20</b>	19.84	2560	1.7				
	186	106	<b>15</b>	15.09	2340	1.9				
	224	88	<b>12.5</b>	12.49	2190	3.4				
	285	69	<b>10</b>	9.84	2030	3.5				
	374	53	<b>7.5</b>	7.48	1850	3.8				
	56	355	<b>25</b>	25.19	3500	0.8	<b>DKM48B</b>	<b>100B5/B14</b>	<b>100LA4</b>	40
	71	280	<b>20</b>	19.84	3230	0.9	<b>DKM48B</b>	<b>100B5/B14</b>	<b>100LA4</b>	48
	93	213	<b>15</b>	15.09	2950	0.9				
	112	176	<b>12.5</b>	12.49	2770	1.7				
	142	139	<b>10</b>	9.84	2550	1.7				
	187	106	<b>7.5</b>	7.48	2330	1.9				
	72	274	<b>12.5</b>	12.49	3210	1.1	<b>DKM48B</b>	<b>112B5/B14</b>	<b>112M6</b>	40
	91	216	<b>10</b>	9.84	2960	1.1	<b>DKM48B</b>	<b>112B5/B14</b>	<b>112M6</b>	48
	120	164	<b>7.5</b>	7.48	2700	1.2				
	45	431	<b>60</b>	62.43	4760	1.1	<b>DKM58C</b>	<b>90B5/B14</b>	<b>90L2</b>	43
	57	340	<b>50</b>	49.18	4390	1.1	<b>DKM58C</b>	<b>90B5/B14</b>	<b>90L2</b>	51
	47	416	<b>60</b>	59.04	4670	1.2	<b>DKM58B</b>	<b>90B5/B14</b>	<b>90L2</b>	42
	58	340	<b>50</b>	48.18	4360	1.5	<b>DKM58B</b>	<b>90B5/B14</b>	<b>90L2</b>	50
	70	283	<b>40</b>	40.13	4110	1.7				
	93	213	<b>30</b>	30.24	3740	2.3				
	111	178	<b>25</b>	25.19	3520	2.7				
	141	140	<b>20</b>	19.84	3250	2.7				
186	106	<b>15</b>	15.09	2960	2.8					
35	566	<b>40</b>	40.13	5170	0.8	<b>DKM58B</b>	<b>100B5/B14</b>	<b>100LA4</b>	42	
46	427	<b>30</b>	30.24	4710	1.2	<b>DKM58B</b>	<b>100B5/B14</b>	<b>100LA4</b>	50	
56	355	<b>25</b>	25.19	4430	1.4					
71	280	<b>20</b>	19.84	4090	1.4					

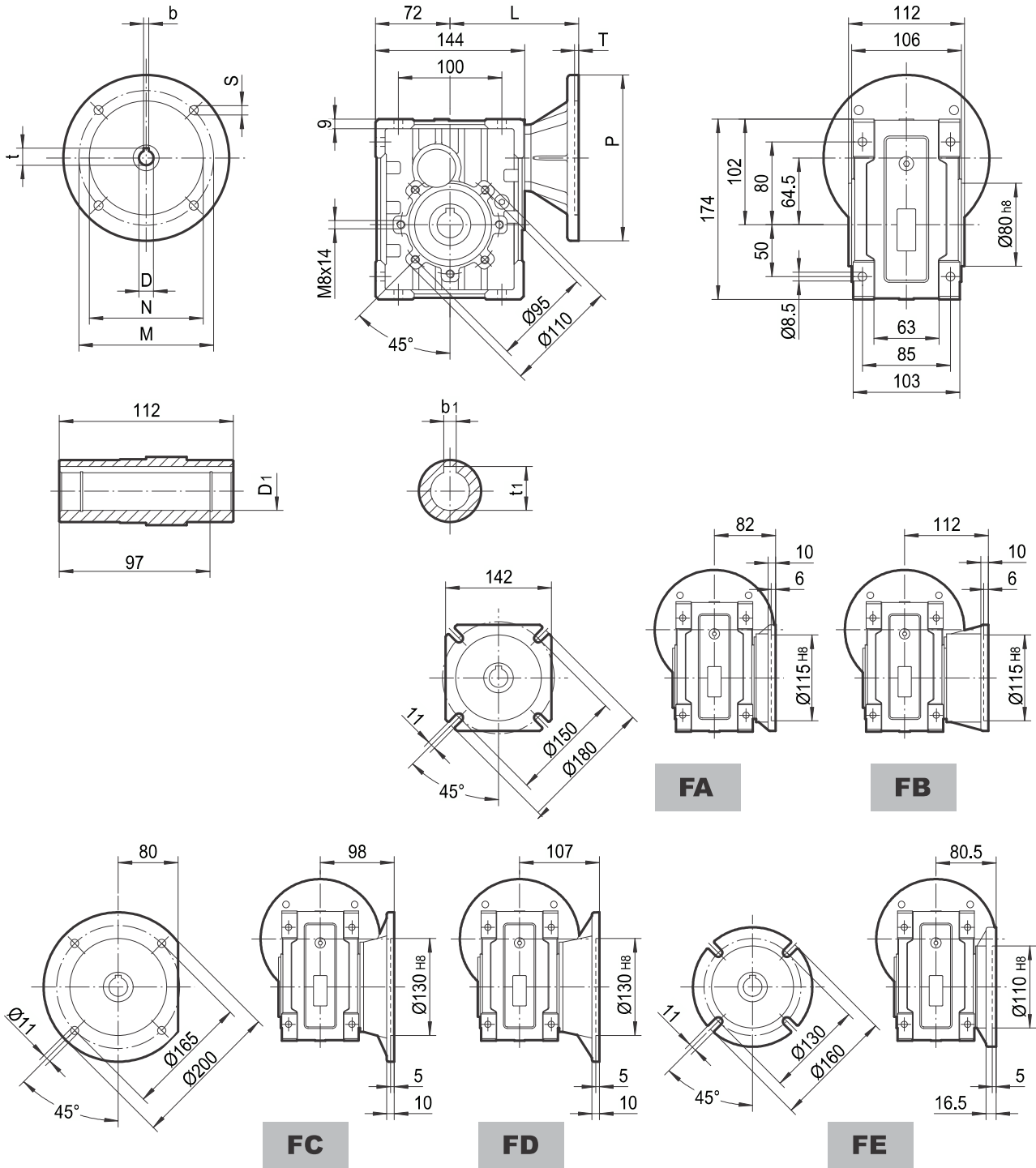


### 6.3 DKM/DKB..HS Prestazioni / Performance parameter

**$n_1=1400\text{r/min}$**

$M_{2\max}$ [Nm]	$n_2$ [r/min]	i Nominal	i Actual	$P_{1n}$ [kW]	$Fr_2$ [N]	$Fr_1$ [N]		Page
130	4.8	300	291.79	0.07	4100	400	<b>DKM28C...HS</b>	54
130	5.7	250	244.29	0.08	4100	400		
130	7.0	200	200.44	0.10	4100	400		
130	9.5	150	146.67	0.14	4000	400		
130	11.6	125	120.34	0.17	3770	400		
100	13.9	100	101.04	0.16	3560	400		
80	18.8	75	74.62	0.17	3220	400		
130	22.5	60	62.36	0.33	3030	400		
100	27	50	52.36	0.30	2860	400		
130	24	60	58.36	0.35	2960	400	<b>DKM28B...HS</b>	54
130	29	50	48.86	0.41	2790	400		
130	35	40	40.09	0.51	2610	400		
130	48	30	29.33	0.69	2350	400		
130	58	25	24.07	0.84	2200	400		
100	69	20	20.21	0.77	2080	400		
80	94	15	14.92	0.84	1880	400		
130	112	12.5	12.47	1.6	1770	400		
100	134	10	10.47	1.5	1670	400		
80	181	7.5	7.73	1.6	1510	400		
200	4.6	300	302.50	0.11	4800	400	<b>DKM38C...HS</b> <b>DKB38C...HS</b>	54
200	5.7	250	243.57	0.13	4800	400		
180	7.1	200	196.43	0.15	4800	400		
200	9.2	150	151.56	0.21	4650	400		
180	11.5	125	122.22	0.23	4330	400		
150	13.8	100	101.27	0.24	4070	400		
110	19.1	75	73.33	0.24	3650	400		
180	22	60	63.33	0.45	3480	400		
150	27	50	52.48	0.46	3270	400		
200	23	60	60.50	0.52	3430	530	<b>DKM38B...HS</b> <b>DKB38B...HS</b>	54
200	29	50	48.71	0.64	3190	530		
180	36	40	39.29	0.71	2970	530		
200	46	30	30.31	1.0	2720	530		
180	57	25	24.44	1.1	2530	530		
150	69	20	20.25	1.2	2380	530		
110	95	15	14.67	1.2	2130	530		
180	110	12.5	12.67	2.2	2030	530		
150	133	10	10.50	2.2	1910	530		
110	184	7.5	7.60	2.3	1710	530		
350	4.7	300	297.21	0.19	6500	560	<b>DKM48C...HS</b> <b>DKB48C...HS</b>	54
350	5.8	250	240.89	0.23	6500	560		
300	7.0	200	200.66	0.24	6500	560		
350	9.3	150	151.20	0.37	6500	560		
300	11.1	125	125.95	0.38	5980	560		
240	14.1	100	99.22	0.39	5520	560		
200	18.6	75	75.45	0.42	5040	560		
300	22	60	62.43	0.77	4730	560		
240	28	50	49.18	0.78	4370	560		
350	24	60	59.44	0.92	4660	860	<b>DKM48B...HS</b> <b>DKB48B...HS</b>	54
350	29	50	48.18	1.1	4340	860		
300	35	40	40.13	1.2	4080	860		
350	46	30	30.24	1.8	3720	860		
300	56	25	25.19	1.9	3500	860		

### DKM38B..



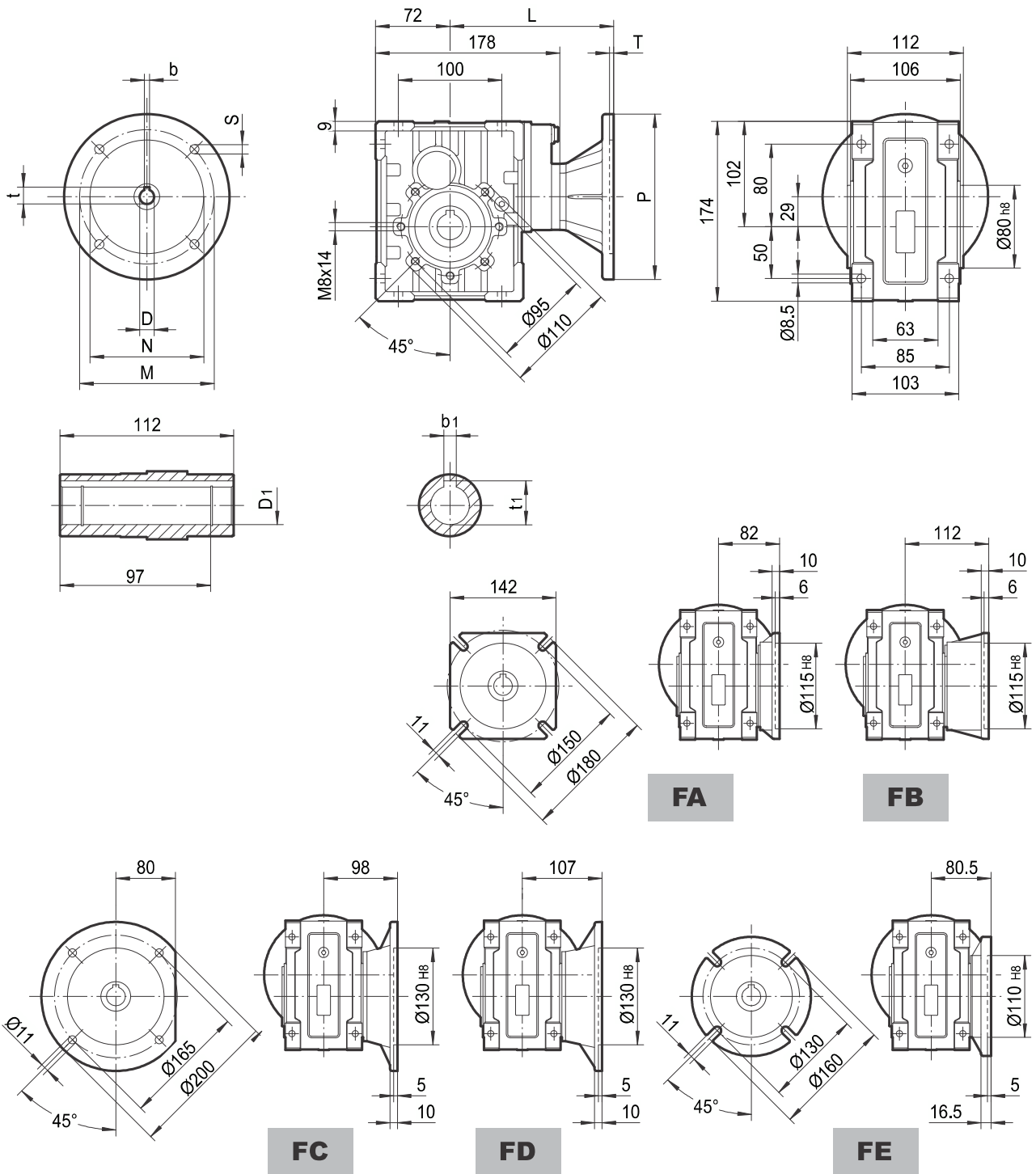
IEC	D <sub>E8</sub>	b	t	P	M	N	S	T	L	D <sub>1</sub> H <sub>8</sub>	b <sub>1</sub>	t <sub>1</sub>
63B5	11	4	12.8	140	115	95	9	4	117	25	8	28.3
71B5	14	5	16.3	160	130	110	9	4	124	28*	8	31.3
71B14	14	5	16.3	105	85	70	7	4	124	30*	8	33.3
80B5	19	6	21.8	200	165	130	11	4	144	* Solo su richiesta * Only on request		
80B14	19	6	21.8	120	100	80	7	4	144			
90B5	24	8	27.3	200	165	130	11	4	144			
90B14	24	8	27.3	140	115	95	9	4	144			

Peso senza motore

≈ 6.0 kg

Weight without motor

≈ 6.0 kg



IEC	D <sub>E8</sub>	b	t	P	M	N	S	T	L	D1 <sub>H8</sub>	b1	t1
63B5	11	4	12.8	140	115	95	9	4	151	25	8	28.3
71B5	14	5	16.3	160	130	110	9	4	158	28*	8	31.3
71B14	14	5	16.3	105	85	70	7	4	158	30*	8	33.3
80B5	19	6	21.8	200	165	130	11	4	178	* Solo su richiesta		
80B14	19	6	21.8	120	100	80	7	4	178	* Only on request		

Peso senza motore

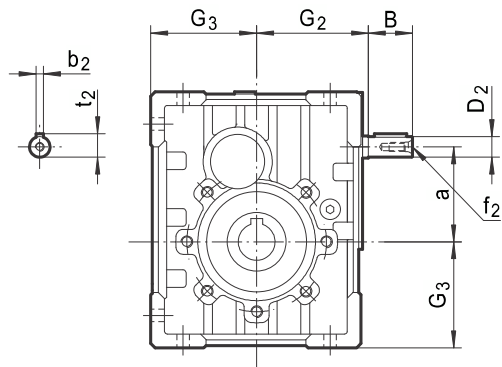
≈ 6.8 kg

Weight without motor

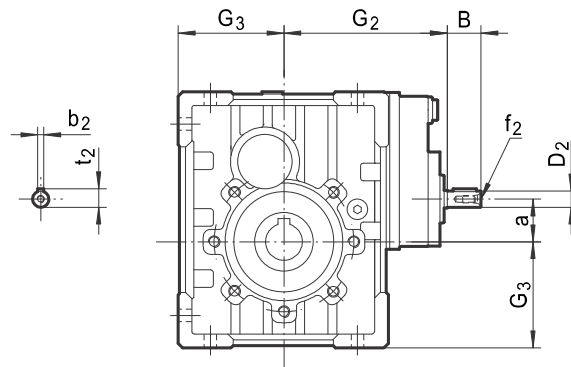
≈ 6.8 kg

### 7.3 DKM..HS Dimensioni / Outline Dimension

#### DKM..B..HS



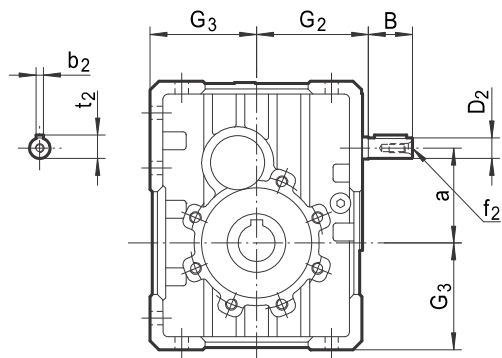
#### DKM..C..HS



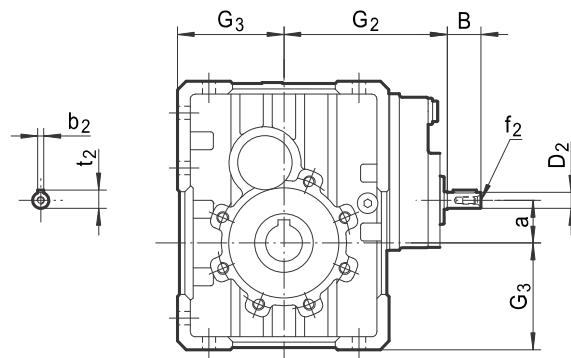
	B	D <sub>2 j6</sub>	G <sub>2</sub>	G <sub>3</sub>	a	b <sub>2</sub>	f <sub>2</sub>	t <sub>2</sub>
DKM28B	23	11	65	60	57	4	-	12.5
DKM28C	23	11	100	60	21.5	4	-	12.5
DKM38B	30	14	76	72	64.5	5	M6	16
DKM38C	23	11	111	72	29	4	-	12.5
DKM48B	40	16	91	86	74.5	5	M6	18
DKM48C	30	14	132	86	30.5	5	M6	16
DKM58B	40	19	107	103	88	6	M6	21.5
DKM58C	30	14	148	103	44	5	M6	16
DKM68B	50	24	132	127.5	108	8	M8	27
DKM68C	40	19	181	127.5	52	6	M6	21.5

### 7.4 DKB..HS Dimensioni / Outline Dimension

#### DKB..B..HS



#### DKB..C..HS



	B	D <sub>2 j6</sub>	G <sub>2</sub>	G <sub>3</sub>	a	b <sub>2</sub>	f <sub>2</sub>	t <sub>2</sub>
DKB38B	30	14	76	72.5	64.5	5	M6	16
DKB38C	23	11	111	72.5	29	4	-	12.5
DKB48B	40	16	91	87	74.5	5	M6	18
DKB48C	30	14	132	87	30.5	5	M6	16
DKB58B	40	19	107	100	88	6	M6	21.5
DKB58C	30	14	148	100	44	5	M6	16
DKB68B	50	24	132	125	108	8	M8	27
DKB68C	40	19	181	125	52	6	M6	21.5