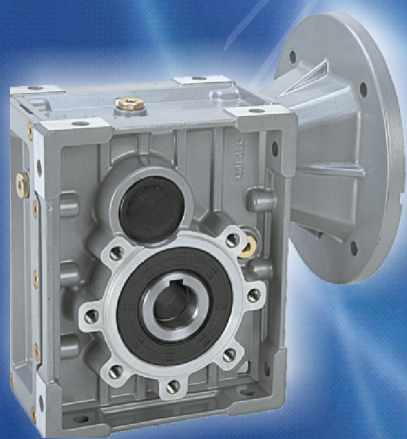


- SERIE DKM / DKB -

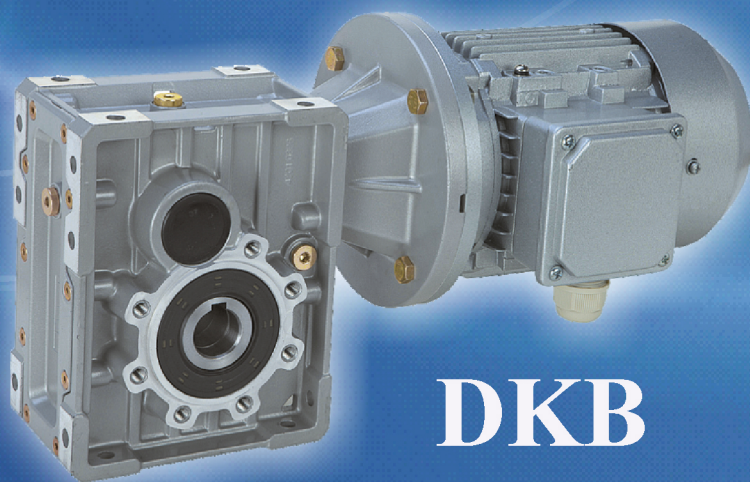
Riduttori ad assi ortogonali
Helical - Hypoid Gear Units

ELLE.GI SRL

*Organi di
Trasmissione*



DKM



DKB

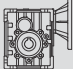
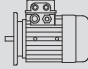
DKM48., DKB48.. $n_1=1400$ r/min **350Nm**

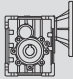
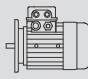
Gear units		i Nominal	i Actual	n_2 [r/min]	M_2 max [Nm]	F_{R2} [N]	63B5	71B5	80B5 80B14	90B5 90B14	100B5 100B14	112B5 112B14
3 Stadio / Stage												
DKM48C	DKB48C	300	297.21	4.7	350	6500						
DKM48C	DKB48C	250	240.89	5.8	350	6500						
DKM48C	DKB48C	200	200.66	7.0	300	6500						
DKM48C	DKB48C	150	151.20	9.3	350	6500						
DKM48C	DKB48C	125	125.95	11.1	300	5980						
DKM48C	DKB48C	100	99.22	14.1	240	5520						
DKM48C	DKB48C	75	75.45	18.6	200	5040						
DKM48C	DKB48C	60	62.43	22	300	4730						
DKM48C	DKB48C	50	49.18	28	240	4370						
2 Stadio / Stage												
DKM48B	DKB48B	60	59.44	24	350	4660						
DKM48B	DKB48B	50	48.18	29	350	4340						
DKM48B	DKB48B	40	40.13	35	300	4080						
DKM48B	DKB48B	30	30.24	46	350	3720						
DKM48B	DKB48B	25	25.19	56	300	3500						
DKM48B	DKB48B	20	19.84	71	240	3230						
DKM48B	DKB48B	15	15.09	93	200	2950						
DKM48B	DKB48B	12.5	12.49	112	300	2770						
DKM48B	DKB48B	10	9.84	142	240	2550						
DKM48B	DKB48B	7.5	7.48	187	200	2330						

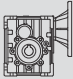
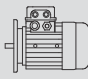
DKM58., DKB58.. $n_1=1400$ r/min **500Nm**

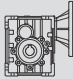
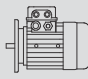
Gear units		i Nominal	i Actual	n_2 [r/min]	M_2 max [Nm]	F_{R2} [N]	63B5	71B5	80B5 80B14	90B5 90B14	100B5 100B14	112B5 112B14
3 Stadio / Stage												
DKM58C	DKB58C	300	295.18	4.7	500	8300						
DKM58C	DKB58C	250	240.89	5.8	500	8300						
DKM58C	DKB58C	200	200.66	7.0	480	8300						
DKM58C	DKB58C	150	151.20	9.3	500	8050						
DKM58C	DKB58C	125	125.95	11.1	480	7580						
DKM58C	DKB58C	100	99.22	14.1	380	7000						
DKM58C	DKB58C	75	75.45	18.6	300	6390						
DKM58C	DKB58C	60	62.43	22	480	6000						
DKM58C	DKB58C	50	49.18	28	380	5540						
2 Stadio / Stage												
DKM58B	DKB58B	60	59.04	24	500	5890						
DKM58B	DKB58B	50	48.18	29	500	5500						
DKM58B	DKB58B	40	40.13	35	480	5170						
DKM58B	DKB58B	30	30.24	46	500	4710						
DKM58B	DKB58B	25	25.19	56	480	4430						
DKM58B	DKB58B	20	19.84	71	380	4090						
DKM58B	DKB58B	15	15.09	93	300	3730						
DKM58B	DKB58B	12.5	12.49	112	480	3510						
DKM58B	DKB58B	10	9.84	142	380	3240						
DKM58B	DKB58B	7.5	7.48	187	300	2950						

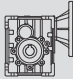
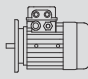
6.2 DKM.. / DKB..(IEC).. Prestazioni / Performance parameter

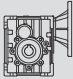
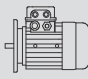
P _{1n} [kW]	n ₂ [r/min]	M _{2n} [Nm]	i		F _{r2} [N]	fs			Page				
			Nominal	Actual									
0.12	5.7	184	250	244.29	4100	0.7	DKM28C	63B5	6314	37			
	7.0	151	200	200.44	4100	0.9							
	9.5	110	150	146.67	4000	1.2							
	11.6	91	125	120.34	3770	1.4							
	13.9	76	100	101.04	3560	1.3							
	18.8	56	75	74.62	3220	1.4							
	22.5	47	60	62.36	3030	2.8							
	26.7	39	50	52.36	2860	2.5							
	24.0	45	60	58.36	2960	2.9	DKM28B	63B5	6314	36			
	28.7	38	50	48.86	2790	3.5							
	35	31	40	40.09	2610	4.2							
	48	23	30	29.33	2350	5.8							
	58	18.5	25	24.07	2200	7.0							
	69	15.6	20	20.21	2080	6.4							
	94	11.5	15	14.92	1880	7.0							
	112	9.6	12.5	12.47	1770	13.5							
	134	8.1	10	10.47	1670	12.4							
	181	5.9	7.5	7.73	1510	13.5							
4.6	228	300	302.50	4800	0.9	DKM38C	63B5	6314	39				
5.7	183	250	243.57	4800	1.1					DKB38C	63B5	6314	47
7.1	148	200	196.43	4800	1.2								
9.2	114	150	151.56	4650	1.8								
11.5	92	125	122.22	4330	2.0								
13.8	76	100	101.27	4070	2.0								
19.1	55	75	73.33	3650	2.0								
22.1	48	60	63.33	3480	3.8								
26.7	40	50	52.48	3270	3.8								
23.1	47	60	60.50	3430	4.3	DKM38B	63B5	6314	38				
28.7	37	50	48.71	3190	5.3								
36	30	40	39.29	2970	6.0								
46	23	30	30.31	2720	8.6								
4.7	224	300	297.21	6500	1.6	DKM48C	63B5	6314	41				
5.8	181	250	240.89	6500	1.9					DKB48C	63B5	6314	49
7.0	151	200	200.66	6500	2.0								
9.3	114	150	151.20	6500	3.1								
11.1	95	125	125.95	5980	3.2								
14.1	75	100	99.22	5520	3.2								
18.6	57	75	75.45	5040	3.5								
4.7	222	300	295.18	8300	2.2	DKM58C	63B5	6314	43				
5.8	181	250	240.89	8300	2.8								
7.0	151	200	200.66	8300	3.2								
9.3	114	150	151.20	8050	4.4								
0.18	9.6	165	300	291.79	4000	0.8	DKM28C	63B5	6312	37			
	11.5	138	250	244.29	3790	0.9							
	14.0	113	200	200.44	3550	1.1							
	19.1	83	150	146.67	3200	1.6							
	23.3	68	125	120.34	2990	1.9							
	27.7	57	100	101.04	2820	1.8							
	38	42	75	74.62	2550	1.9							
	45	35	60	62.36	2400	3.7							
	53	30	50	52.36	2270	3.4							
	48	34	60	58.36	2350	3.9	DKM28B	63B5	6312	36			
	57	28	50	48.86	2220	4.6							
	70	23	40	40.09	2070	5.6							

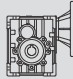
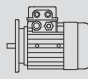
P _{1n} [kW]	n ₂ [r/min]	M _{2n} [Nm]	i		F _{r2} [N]	fs			Page	
			Nominal	Actual						
0.18	9.4	168	300	297.21	6320	2.1	DKM48C	63B5	6312	41
	11.6	136	250	240.89	5890	2.6	DKB48C	63B5	6312	49
	14.0	113	200	200.66	5540	2.6				
	18.5	85	150	151.20	5040	4.1				
	4.7	336	300	297.21	6500	1.0	DKM48C	63B5	6324	41
	5.8	272	250	240.89	6500	1.3	DKB48C	63B5	6324	49
	7.0	227	200	200.66	6500	1.3				
	9.3	171	150	151.20	6500	2.0				
	11.1	142	125	125.95	5980	2.1				
	14.1	112	100	99.22	5520	2.1				
	18.6	85	75	75.45	5040	2.3				
	4.5	353	200	200.66	6500	0.9	DKM48C	71B5	7116	41
	6.0	266	150	151.20	6500	1.3	DKB48C	71B5	7116	49
	7.1	221	125	125.95	6500	1.4				
	9.1	174	100	99.22	6400	1.4				
	11.9	133	75	75.45	5840	1.5				
	14.4	110	60	62.43	5480	2.7				
	18.3	86	50	49.18	5060	2.8				
	15.1	107	60	59.44	5390	3.3	DKM48B	71B5	7116	40
	18.7	87	50	48.18	5030	4.0	DKB48B	71B5	7116	48
	9.5	167	300	295.18	7990	3.0	DKM58C	63B5	6312	43
	11.6	136	250	240.89	7470	3.7	DKB58C	63B5	6312	51
	4.7	333	300	295.18	8300	1.5	DKM58C	63B5	6324	43
	5.8	272	250	240.89	8300	1.8	DKB58C	63B5	6324	51
	7.0	227	200	200.66	8300	2.1				
	9.3	171	150	151.20	8050	2.9				
	11.1	142	125	125.95	7580	3.4				
	14.1	112	100	99.22	7000	3.4				
18.6	85	75	75.45	6390	3.5					
3.0	519	300	295.18	8300	1.0	DKM58C	71B5	7116	43	
3.7	423	250	240.89	8300	1.2	DKB58C	71B5	7116	51	
4.5	353	200	200.66	8300	1.4					
6.0	266	150	151.20	8300	1.9					
7.1	221	125	125.95	8300	2.2					
9.1	174	100	99.22	8110	2.2					
11.9	133	75	75.45	7400	2.3					
14.4	110	60	62.43	6950	4.4					
18.3	86	50	49.18	6420	4.4					
3.0	520	300	296.10	10000	1.4	DKM68C	71B5	7116	45	
3.7	429	250	244.29	10000	1.7	DKB68C	71B5	7116	53	
4.4	362	200	206.29	10000	2.1					
5.9	269	150	153.33	10000	2.8					
7.0	228	125	129.48	9840	3.3					
8.7	182	100	103.64	9130	3.6					
11.9	133	75	75.55	8220	3.9					
0.25	19.1	115	150	146.67	3200	1.1	DKM28C	63B5	6322	37
	23.3	94	125	120.34	2990	1.4				
	27.7	79	100	101.04	2820	1.3				
	38	59	75	74.62	2550	1.4				
	45	49	60	62.36	2400	2.7				
	53	41	50	52.36	2270	2.4				
	48	47	60	58.36	2350	2.8	DKM28B	63B5	6322	36
	57	39	50	48.86	2220	3.3				
	70	32	40	40.09	2070	4.0				
	22.5	98	60	62.36	3030	1.3	DKM28C	71B5/B14	7114	37
	26.7	82	50	52.36	2860	1.2				
	24.0	94	60	58.36	2960	1.4	DKM28B	71B5/B14	7114	36
28.7	78	50	48.86	2790	1.7					

P _{1n} [kW]	n ₂ [r/min]	M _{2n} [Nm]	i		F _{r2} [N]	fs			Page		
			Nominal	Actual							
0.25	9.1	242	100	99.22	6400	1.0	DKM48C	71B5	7126	41	
	11.9	184	75	75.45	5840	1.1	DKB48C	71B5	7126	49	
	14.4	152	60	62.43	5480	2.0					
	18.3	120	50	49.18	5060	2.0					
	15.1	148	60	59.44	5390	2.4	DKM48B	71B5	7126	40	
	18.7	120	50	48.18	5030	2.9	DKB48B	71B5	7126	48	
	22.4	100	40	40.13	4730	3.0					
	9.5	232	300	295.18	7990	2.2	DKM58C	63B5	6322	43	
	11.6	189	250	240.89	7470	2.6	DKB58C	63B5	6322	51	
	14.0	157	200	200.66	7030	3.0					
	18.5	119	150	151.20	6390	4.2					
	4.7	463	300	295.18	8300	1.1	DKM58C	71B5	7114	43	
	5.8	378	250	240.89	8300	1.3	DKB58C	71B5	7114	51	
	7.0	315	200	200.66	8300	1.5					
	9.3	237	150	151.20	8050	2.1					
	11.1	198	125	125.95	7580	2.4					
	14.1	156	100	99.22	7000	2.4					
	18.6	118	75	75.45	6390	2.5					
	22.4	98	60	62.43	6000	4.9					
	28.5	77	50	49.18	5540	4.9					
	3.7	588	250	240.89	8300	0.9	DKM58C	71B5	7126	43	
	4.5	490	200	200.66	8300	1.0	DKB58C	71B5	7126	51	
	6.0	369	150	151.20	8300	1.4					
	7.1	307	125	125.95	8300	1.6					
	9.1	242	100	99.22	8110	1.6					
	11.9	184	75	75.45	7400	1.6					
	14.4	152	60	62.43	6950	3.2					
	18.3	120	50	49.18	6420	3.2					
	15.2	147	60	59.04	6820	3.4	DKM58B	71B5	7126	42	
	18.7	120	50	48.18	6370	4.2	DKB58B	71B5	7126	50	
	4.7	465	300	296.10	10000	1.6	DKM68C	71B5	7114	45	
	5.7	383	250	244.29	10000	2.0	DKB68C	71B5	7114	53	
	6.8	324	200	206.29	9920	2.3					
	9.1	241	150	153.33	8980	3.1					
	10.8	203	125	129.48	8490	3.7					
	13.5	163	100	103.64	7880	4.0					
	3.0	723	300	296.10	10000	1.0	DKM68C	71B5	7126	45	
	3.7	596	250	244.29	10000	1.3	DKB68C	71B5	7126	53	
	4.4	503	200	206.29	10000	1.5					
	5.9	374	150	153.33	10000	2.0					
	7.0	316	125	129.48	9840	2.4					
	8.7	253	100	103.64	9130	2.6					
	11.9	184	75	75.55	8220	2.8					
	0.37	23.3	140	125	120.34	2990	0.9	DKB28C	71B5/B14	7112	37
		27.7	117	100	101.04	2820	0.9				
		38	87	75	74.62	2550	0.9				
		45	72	60	62.36	2400	1.8				
		53	61	50	52.36	2270	1.6				
48		69	60	58.36	2350	1.9					
57		58	50	48.86	2220	2.2					
70		48	40	40.09	2070	2.7					
95		35	30	29.33	1870	3.7					
24.0		138	60	58.36	2960	0.9	DKB28B	71B5/B14	7124	36	
28.7		116	50	48.86	2790	1.1					
35		95	40	40.09	2610	1.4					
48		70	30	29.33	2350	1.9					
58		57	25	24.07	2200	2.3					
69		48	20	20.21	2080	2.1					

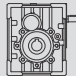
P _{1n} [kW]	n ₂ [r/min]	M _{2n} [Nm]	i		F _{r2} [N]	fs			Page	
			Nominal	Actual						
0.37	14.4	225	60	62.43	5480	1.3	DKM48C	80B5/B14	8016	41
	18.3	178	50	49.18	5060	1.4	DKB48C	80B5/B14	8016	49
	15.1	219	60	59.44	5390	1.6	DKM48B	80B5/B14	8016	40
	18.7	178	50	48.18	5030	2.0	DKB48B	80B5/B14	8016	48
	22.4	148	40	40.13	4730	2.0				
	29.8	112	30	30.24	4310	3.1				
	36	93	25	25.19	4050	3.2				
	45	73	20	19.84	3740	3.3				
	60	56	15	15.09	3410	3.6				
	9.5	343	300	295.18	7990	1.5	DKM58C	71B5	7112	43
11.6	280	250	240.89	7470	1.8	DKB58C	71B5	7112	51	
14.0	233	200	200.66	7030	2.1					
18.5	176	150	151.20	6390	2.8					
22.2	146	125	125.95	6010	3.3					
28.2	115	100	99.22	5550	3.3					
37	88	75	75.45	5070	3.4					
5.8	559	250	240.89	8300	0.9	DKM58C	71B5	7124	43	
7.0	466	200	200.66	8300	1.0	DKB58C	71B5	7124	51	
9.3	351	150	151.20	8050	1.4					
11.1	292	125	125.95	7580	1.6					
14.1	230	100	99.22	7000	1.6					
18.6	175	75	75.45	6390	1.7					
22.4	145	60	62.43	6000	3.3					
28.5	114	50	49.18	5540	3.3					
23.7	140	60	59.04	5890	3.6	DKM58B	71B5	7124	42	
29.1	114	50	48.18	5500	4.4	DKB58B	71B5	7124	50	
6.0	546	150	151.20	8300	0.9	DKM58C	80B5/B14	8016	43	
7.1	455	125	125.95	8300	1.1	DKB58C	80B5/B14	8016	51	
9.1	358	100	99.22	8110	1.1					
11.9	273	75	75.45	7400	1.1					
14.4	225	60	62.43	6950	2.1					
18.3	178	50	49.18	6420	2.1					
15.2	218	60	59.04	6820	2.3	DKM58B	80B5/B14	8016	42	
18.7	178	50	48.18	6370	2.8	DKB58B	80B5/B14	8016	50	
22.4	148	40	40.13	6000	3.2					
9.5	344	300	296.10	8880	2.2	DKM68C	71B5	7112	45	
11.5	284	250	244.29	8330	2.6	DKB68C	71B5	7112	53	
13.6	240	200	206.29	7870	3.1					
18.3	178	150	153.33	7130	4.2					
4.7	688	300	296.10	10000	1.1	DKM68C	71B5	7124	45	
5.7	567	250	244.29	10000	1.3	DKB68C	71B5	7124	53	
6.8	479	200	206.29	9920	1.6					
9.1	356	150	153.33	8980	2.1					
10.8	301	125	129.48	8490	2.5					
13.5	241	100	103.64	7880	2.7					
18.5	175	75	75.55	7090	3.0					
4.4	745	200	206.29	10000	1.0	DKM68C	80B5	8016	45	
5.9	554	150	153.33	10000	1.4	DKB68C	80B5	8016	53	
7.0	468	125	129.48	9840	1.6					
8.7	374	100	103.64	9130	1.7					
11.9	273	75	75.55	8220	1.9					
14.0	232	60	64.18	7780	3.2					
17.5	186	50	51.37	7230	3.5					
15.2	219	60	59.22	7580	3.4	DKM68B	80B5	8016	44	
18.4	180	50	48.86	7110	4.2	DKB68B	80B5	8016	52	

P _{1n} [kW]	n ₂ [r/min]	M _{2n} [Nm]	i		F _{r2} [N]	fs			Page	
			Nominal	Actual						
0.55	47	105	60	59.44	3690	3.3	DKM48B	71B5	7122	40
	58	85	50	48.18	3440	4.1	DKB48B	71B5	7122	48
	70	71	40	40.13	3240	4.2				
	18.6	260	75	75.45	5040	0.8	DKM48C	80B5/B14	8014	41
	22.4	215	60	62.43	4730	1.4	DKB48C	80B5/B14	8014	49
	28.5	170	50	49.18	4370	1.4				
	23.6	210	60	59.44	4660	1.7	DKM48B	80B5/B14	8014	40
	29.1	170	50	48.18	4340	2.1	DKB48B	80B5/B14	8014	48
	35	142	40	40.13	4080	2.1				
	46	107	30	30.24	3720	3.3				
	56	89	25	25.19	3500	3.4				
	71	70	20	19.84	3230	3.4				
	93	53	15	15.09	2950	3.8				
	14.4	335	60	62.43	5480	0.9	DKM48C	80B5/B14	8026	41
	18.3	264	50	49.18	5060	0.9	DKB48C	80B5/B14	8026	49
	15.1	326	60	59.44	5390	1.1	DKM48B	80B5/B14	8026	40
	18.7	264	50	48.18	5030	1.3	DKB48B	80B5/B14	8026	48
	22.4	220	40	40.13	4730	1.4				
	29.8	166	30	30.24	4310	2.1				
	36	138	25	25.19	4050	2.2				
	45	109	20	19.84	3740	2.2				
	60	83	15	15.09	3410	2.4				
	9.5	509	300	295.18	7990	1.0	DKM58C	71B5	7122	43
	11.6	416	250	240.89	7470	1.2	DKB58C	71B5	7122	51
	14.0	346	200	200.66	7030	1.4				
	18.5	261	150	151.20	6390	1.9				
	22.2	217	125	125.95	6010	2.2				
	28.2	171	100	99.22	5550	2.2				
	37	130	75	75.45	5070	2.3				
	45	108	60	62.43	4760	4.5				
	57	85	50	49.18	4390	4.5				
	9.3	522	150	151.20	8050	1.0	DKM58C	80B5/B14	8014	43
	11.1	435	125	125.95	7580	1.1	DKB58C	80B5/B14	8014	51
	14.1	342	100	99.22	7000	1.1				
	18.6	260	75	75.45	6390	1.2				
	22.4	215	60	62.43	6000	2.2				
	28.5	170	50	49.18	5540	2.2				
	23.7	208	60	59.04	5890	2.4	DKM58B	80B5/B14	8014	42
	29.1	170	50	48.18	5500	2.9	DKB58B	80B5/B14	8014	50
	35	142	40	40.13	5170	3.4				
	14.4	335	60	62.43	6950	1.4	DKM58C	80B5/B14	8026	43
	18.3	264	50	49.18	6420	1.4	DKB58C	80B5/B14	8026	51
	15.2	324	60	59.04	6820	1.5	DKM58B	80B5/B14	8026	42
	18.7	264	50	48.18	6370	1.9	DKB58B	80B5/B14	8026	50
	22.4	220	40	40.13	6000	2.2				
	29.8	166	30	30.24	5460	3.0				
	36	138	25	25.19	5130	3.5				
	45	109	20	19.84	4740	3.5				
60	83	15	15.09	4330	3.6					
9.5	511	300	296.10	8880	1.5	DKM68C	71B5	7122	45	
11.5	422	250	244.29	8330	1.8	DKB68C	71B5	7122	53	
13.6	356	200	206.29	7870	2.1					
18.3	265	150	153.33	7130	2.8					
21.6	223	125	129.48	6740	3.4					
27.0	179	100	103.64	6260	3.6					
37	130	75	75.55	5630	4.0					

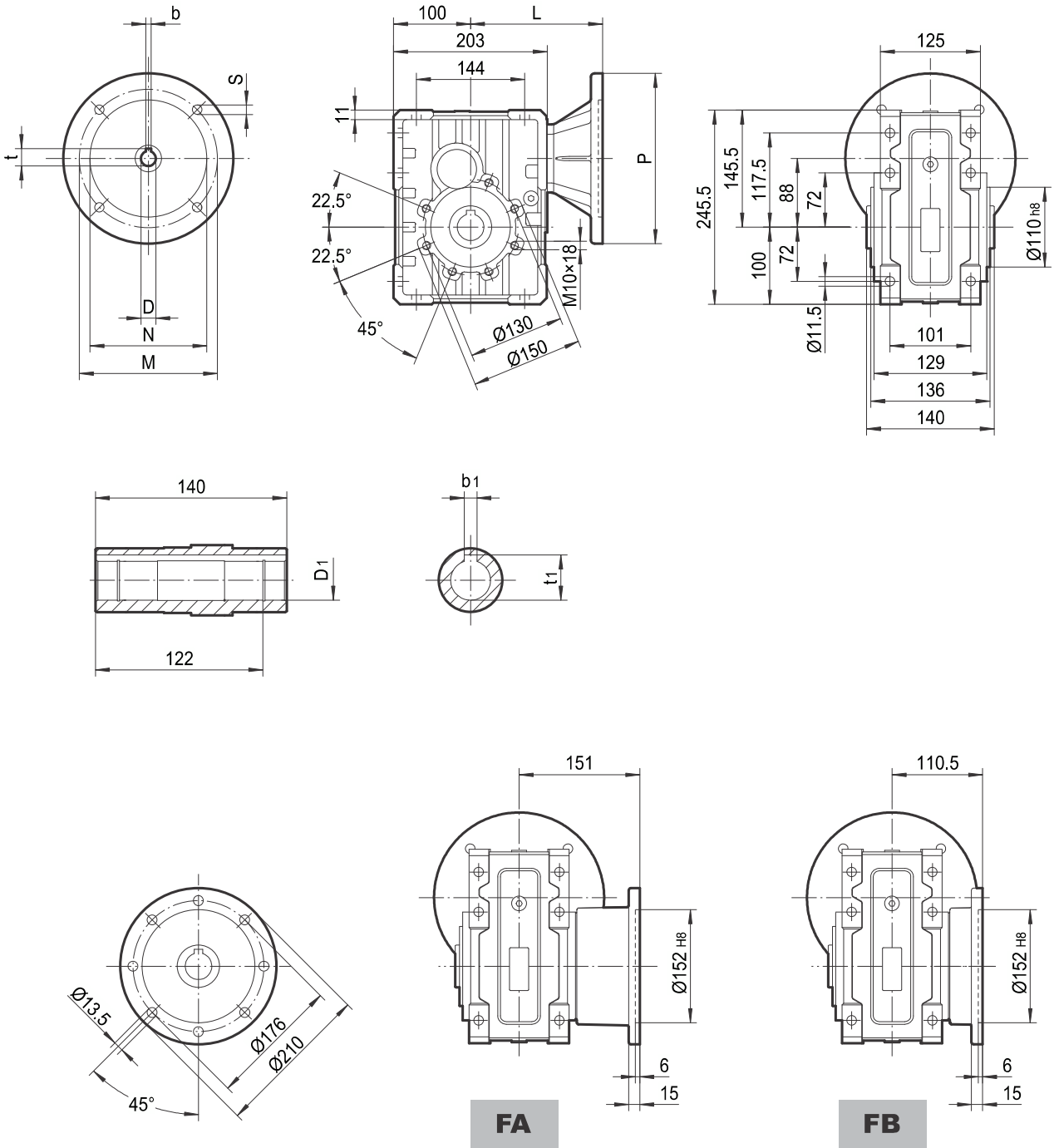
P _{1n} [kW]	n ₂ [r/min]	M _{2n} [Nm]	i		F _{r2} [N]	fs			Page	
			Nominal	Actual						
0.75	29.7	227	30	30.31	3150	0.9	DKM38B	90B5/B14	90S6	38
	37	183	25	24.44	2930	1.0	DKB38B	90B5/B14	90S6	46
	44	151	20	20.25	2760	1.0				
	61	110	15	14.67	2470	1.0				
	71	95	12.5	12.67	2360	1.9				
	86	79	10	10.50	2210	1.9				
	118	57	7.5	7.60	1990	1.9				
	18.5	356	150	151.20	5040	1.0	DKM48C	80B5/B14	8012	41
	22.2	296	125	125.95	4750	1.0	DKB48C	80B5/B14	8012	49
	28.2	234	100	99.22	4380	1.0				
37	178	75	75.45	4000	1.1					
45	147	60	62.43	3750	2.0					
57	116	50	49.18	3470	2.1					
47	143	60	59.44	3690	2.4	DKM48B	80B5/B14	8012	40	
58	116	50	48.18	3440	3.0	DKB48B	80B5/B14	8012	48	
70	96	40	40.13	3240	3.1					
22.4	294	60	62.43	4730	1.0	DKM48C	80B5/B14	8024	41	
28.5	231	50	49.18	4370	1.0	DKB48C	80B5/B14	8024	49	
23.6	286	60	59.44	4660	1.2	DKM48B	80B5/B14	8024	40	
29.1	232	50	48.18	4340	1.5	DKB48B	80B5/B14	8024	48	
35	193	40	40.13	4080	1.6					
46	145	30	30.24	3720	2.4					
56	121	25	25.19	3500	2.5					
71	95	20	19.84	3230	2.5					
93	73	15	15.09	2950	2.8					
18.7	360	50	48.18	5030	1.0	DKM48B	90B5/B14	90S6	40	
22.4	300	40	40.13	4730	1.0	DKB48B	90B5/B14	90S6	48	
29.8	226	30	30.24	4310	1.5					
36	188	25	25.19	4050	1.6					
45	148	20	19.84	3740	1.6					
60	113	15	15.09	3410	1.8					
72	93	12.5	12.49	3210	3.2					
91	74	10	9.84	2960	3.3					
120	56	7.5	7.48	2700	3.6					
11.6	567	250	240.89	7470	0.9	DKM58C	80B5/B14	8012	43	
14.0	472	200	200.66	7030	1.0	DKB58C	80B5/B14	8012	51	
18.5	356	150	151.20	6390	1.4					
22.2	296	125	125.95	6010	1.6					
28.2	234	100	99.22	5550	1.6					
37	178	75	75.45	5070	1.7					
45	147	60	62.43	4760	3.3					
57	116	50	49.18	4390	3.3					
47	142	60	59.04	4670	3.5	DKM58B	80B5/B14	8012	42	
58	116	50	48.18	4360	4.3	DKB58B	80B5/B14	8012	50	
22.4	294	60	62.43	6000	1.6	DKM58C	80B5/B14	8024	43	
28.5	231	50	49.18	5540	1.6	DKB58C	80B5/B14	8024	51	
23.7	284	60	59.04	5890	1.8	DKM58B	80B5/B14	8024	42	
29.1	232	50	48.18	5500	2.2	DKB58B	80B5/B14	8024	50	
35	193	40	40.13	5170	2.5					
46	145	30	30.24	4710	3.4					
56	121	25	25.19	4430	4.0					
71	95	20	19.84	4090	4.0					
93	73	15	15.09	3730	4.1					
14.4	457	60	62.43	6950	1.1	DKM58C	90B5/B14	90S6	43	
18.3	360	50	49.18	6420	1.1	DKB58C	90B5/B14	90S6	51	

P _{1n} [kW]	n ₂ [r/min]	M _{2n} [Nm]	i		F _{r2} [N]	fs			Page	
			Nominal	Actual						
0.75	15.2	442	60	59.04	6820	1.1	DKM58B	90B5/B14	90S6	42
	18.7	360	50	48.18	6370	1.4	DKB58B	90B5/B14	90S6	50
	22.4	300	40	40.13	6000	1.6				
	29.8	226	30	30.24	5460	2.2				
	36	188	25	25.19	5130	2.5				
	45	148	20	19.84	4740	2.6				
	60	113	15	15.09	4330	2.7				
	9.5	697	300	296.10	8880	1.1	DKM68C	80B5	8012	45
	11.5	575	250	244.29	8330	1.3	DKB68C	80B5	8012	53
	13.6	485	200	206.29	7870	1.5				
	18.3	361	150	153.33	7130	2.1				
	21.6	305	125	129.48	6740	2.5				
	27.0	244	100	103.64	6260	2.7				
	37	178	75	75.55	5630	2.9				
	9.1	722	150	153.33	8980	1.0	DKM68C	80B5	8024	45
	10.8	609	125	129.48	8490	1.2	DKB68C	80B5	8024	53
	13.5	488	100	103.64	7880	1.3				
	18.5	356	75	75.55	7090	1.5				
	21.8	302	60	64.18	6720	2.5				
	27.3	242	50	51.37	6240	2.7				
	23.6	285	60	59.22	6540	2.6	DKM68B	80B5	8024	44
	28.7	235	50	48.86	6130	3.2	DKB68B	80B5	8024	52
	34	198	40	41.26	5800	3.8				
	8.7	759	100	103.64	9130	0.9	DKM68C	90B5	90S6	45
	11.9	553	75	75.55	8220	0.9	DKB68C	90B5	90S6	53
	14.0	470	60	64.18	7780	1.6				
	17.5	376	50	51.37	7230	1.7				
	15.2	443	60	59.22	7580	1.7	DKM68B	90B5	90S6	44
	18.4	366	50	48.86	7110	2.1	DKB68B	90B5	90S6	52
	21.8	309	40	41.26	6720	2.4				
	29.3	229	30	30.67	6090	3.3				
	35	194	25	25.90	5750	3.9				
43	155	20	20.73	5340	4.2					
1.1	70	141	40	40.09	2070	0.9	DKM28B	80B5/B14	8022	36
	95	103	30	29.33	1870	1.3				
	116	85	25	24.07	1750	1.5				
	139	71	20	20.21	1650	1.4				
	188	53	15	14.92	1490	1.5				
	225	44	12.5	12.47	1400	3.0				
	267	37	10	10.47	1320	2.7				
	362	27	7.5	7.73	1200	2.9				
	112	88	12.5	12.47	1770	1.5	DKM28B	90B5/B14	90S4	36
	134	74	10	10.47	1670	1.4				
	181	55	7.5	7.73	1510	1.5				
	72	137	12.5	12.47	2050	1.0	DKM28B	90B5/B14	90L6	36
	86	115	10	10.47	1930	0.9				
	116	85	7.5	7.73	1750	0.9				
	46	213	60	60.50	2720	0.9	DKM38B	80B5/B14	8022	38
	57	172	50	48.71	2530	1.2	DKB38B	80B5/B14	8022	46
	71	139	40	39.29	2350	1.3				
	92	107	30	30.31	2160	1.9				
	115	86	25	24.44	2010	2.1				
	138	71	20	20.25	1890	2.1				
	191	52	15	14.67	1690	2.1				
	221	45	12.5	12.67	1610	4.0				
267	37	10	10.50	1510	4.1					
368	27	7.5	7.60	1360	4.1					

$n_1=1400\text{r/min}$

$M_{2\text{ max}}$ [Nm]	n_2 [r/min]	i Nominal	i Actual	P_{1n} [kW]	Fr_2 [N]	Fr_1 [N]		Page
240	71	20	19.84	1.9	3230	860	DKM48B...HS DKB48B...HS	54
200	93	15	15.09	2.1	2950	860		54
300	112	12.5	12.49	3.7	2770	860		
240	142	10	9.84	3.8	2550	860		
200	187	7.5	7.48	4.2	2330	860		
500	4.7	300	295.18	0.27	8300	560	DKM58C...HS DKB58C...HS	54
500	5.8	250	240.89	0.33	8300	560		54
480	7.0	200	200.66	0.38	8300	560		
500	9.3	150	151.20	0.53	8050	560		
480	11.1	125	125.95	0.61	7580	560		
380	14.1	100	99.22	0.61	7000	560		
300	18.6	75	75.45	0.63	6390	560		
480	22	60	62.43	1.2	6000	560		
380	28	50	49.18	1.2	5540	560		
500	24	60	59.04	1.3	5890	1260	DKM58B...HS DKB58B...HS	54
500	29	50	48.18	1.6	5500	1260		54
480	35	40	40.13	1.9	5170	1260		
500	46	30	30.24	2.6	4710	1260		
480	56	25	25.19	3.0	4430	1260		
380	71	20	19.84	3.0	4090	1260		
300	93	15	15.09	3.1	3730	1260		
480	112	12.5	12.49	6.0	3510	1260		
380	142	10	9.84	6.0	3240	1260		
300	187	7.5	7.48	6.3	2950	1260		
750	4.7	300	296.10	0.40	10000	740	DKM68C...HS DKB68C...HS	54
750	5.7	250	244.29	0.49	10000	740		54
750	6.8	200	206.29	0.58	9920	740		
750	9.1	150	153.33	0.78	8980	740		
750	10.8	125	129.48	0.92	8490	740		
650	13.5	100	103.64	1.0	7880	740		
520	18.5	75	75.55	1.1	7090	740		
750	22	60	64.18	1.9	6720	740		
650	27	50	51.37	2.0	6240	740		
750	24	60	59.22	2.0	6540	1490	DKM68B...HS DKB68B...HS	54
750	29	50	48.86	2.4	6130	1490		54
750	34	40	41.26	2.8	5800	1490		
750	46	30	30.67	3.8	5250	1490		
750	54	25	25.90	4.5	4960	1490		
650	68	20	20.73	4.9	4610	1490		
520	93	15	15.11	5.4	4150	1490		
750	109	12.5	12.84	9.1	3930	1490		
650	136	10	10.27	9.9	3650	1490		
520	187	7.5	7.49	10.8	3280	1490		

DKB58C..



IEC	D _{E8}	b	t	P	M	N	S	T	L	D1 _{H8}	b1	t1
71B5	14	5	16.3	160	130	110	9	4	162	35	10	38.3
80B5	19	6	21.8	200	165	130	11	4	182	38*	10*	41.3*
80B14	19	6	21.8	120	100	80	7	4	182	40*	10*	43.3*
90B5	24	8	27.3	200	165	130	11	4	182	* Solo su richiesta * Only on request		
90B14	24	8	27.3	140	115	95	9	4	182			
100/112B5	28	8	31.3	250	215	180	13.5	4.5	192			
100/112B14	28	8	31.3	160	130	110	9	4.5	192			

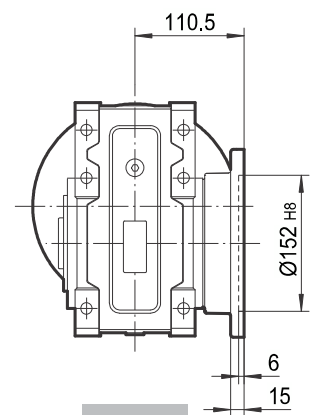
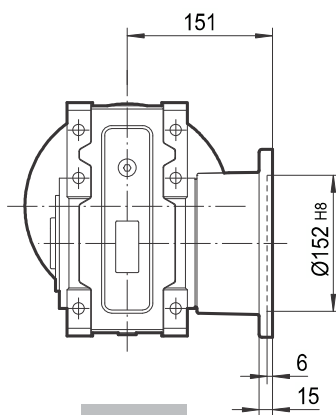
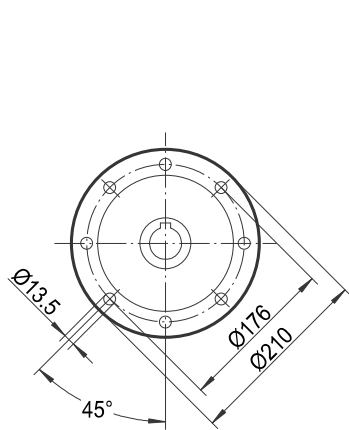
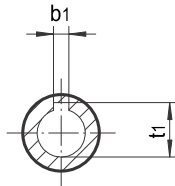
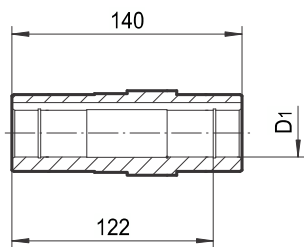
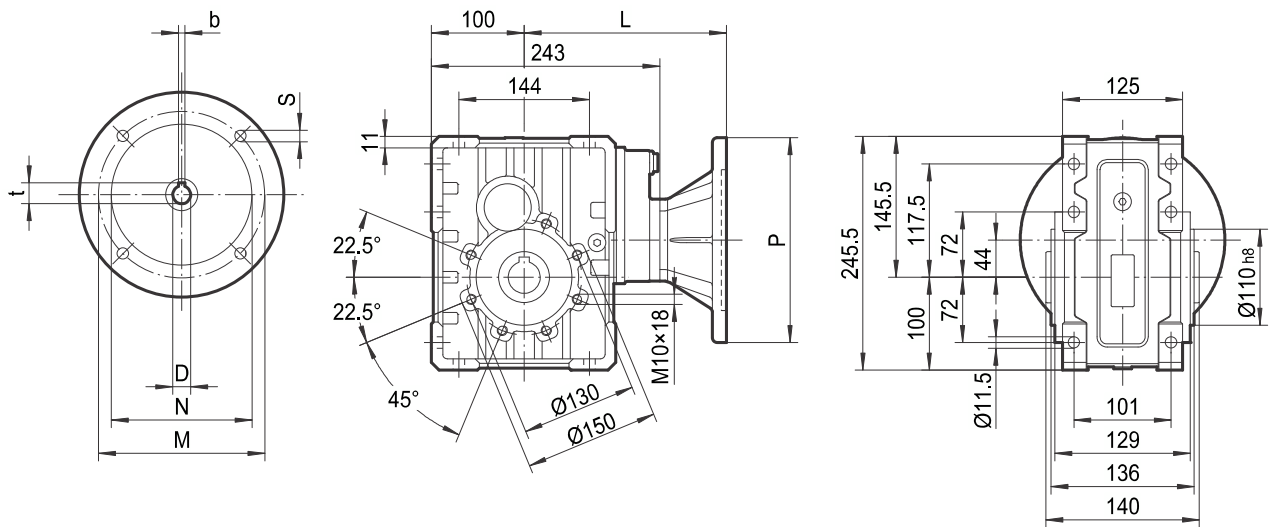
Peso senza motore

≈ 13.5 kg

Weight without motor

≈ 13.5 kg

DKB58C..



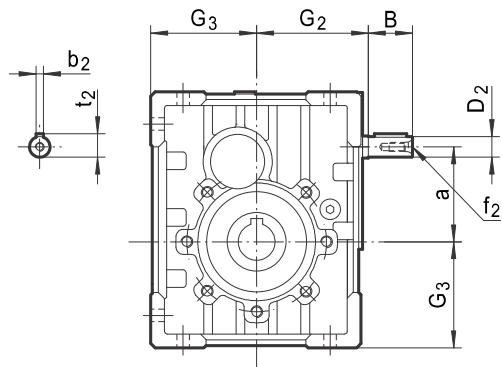
IEC	D _{E8}	b	t	P	M	N	S	T	L	D1 _{H8}	b1	t1
63B5	11	4	12.8	140	115	95	9	4	195	35	10	38.3
71B5	14	5	16.3	160	130	110	9	4	202	38*	10*	41.3*
80B5	19	6	21.8	200	165	130	11	4	222	40*	10*	43.3*
80B14	19	6	21.8	120	100	80	7	4	222	* Solo su richiesta * Only on request		
90B5	24	8	27.3	200	165	130	11	4	222			
90B14	24	8	27.3	140	115	95	9	4	222			

Peso senza motore
≈ 14.8 kg

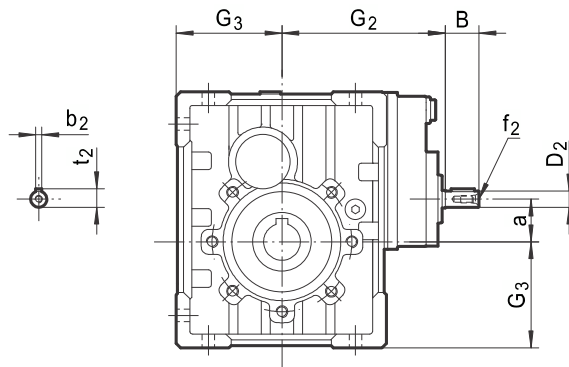
Weight without motor
≈ 14.8 kg

7.3 DKM..HS Dimensioni / Outline Dimension

DKM..B..HS



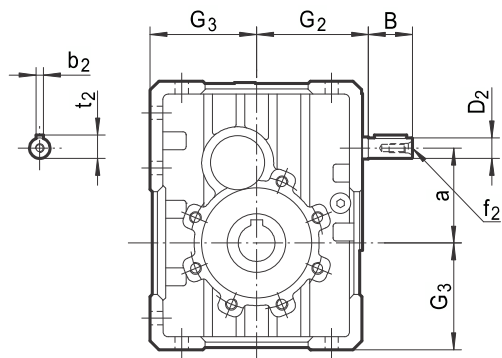
DKM..C..HS



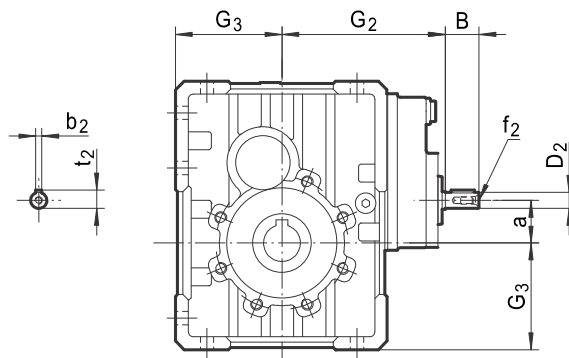
	B	D _{2 j6}	G ₂	G ₃	a	b ₂	f ₂	t ₂
DKM28B	23	11	65	60	57	4	-	12.5
DKM28C	23	11	100	60	21.5	4	-	12.5
DKM38B	30	14	76	72	64.5	5	M6	16
DKM38C	23	11	111	72	29	4	-	12.5
DKM48B	40	16	91	86	74.5	5	M6	18
DKM48C	30	14	132	86	30.5	5	M6	16
DKM58B	40	19	107	103	88	6	M6	21.5
DKM58C	30	14	148	103	44	5	M6	16
DKM68B	50	24	132	127.5	108	8	M8	27
DKM68C	40	19	181	127.5	52	6	M6	21.5

7.4 DKB..HS Dimensioni / Outline Dimension

DKB..B..HS



DKB..C..HS



	B	D _{2 j6}	G ₂	G ₃	a	b ₂	f ₂	t ₂
DKB38B	30	14	76	72.5	64.5	5	M6	16
DKB38C	23	11	111	72.5	29	4	-	12.5
DKB48B	40	16	91	87	74.5	5	M6	18
DKB48C	30	14	132	87	30.5	5	M6	16
DKB58B	40	19	107	100	88	6	M6	21.5
DKB58C	30	14	148	100	44	5	M6	16
DKB68B	50	24	132	125	108	8	M8	27
DKB68C	40	19	181	125	52	6	M6	21.5