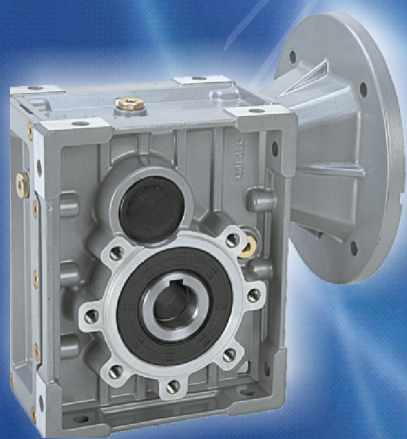


- SERIE DKM / DKB -

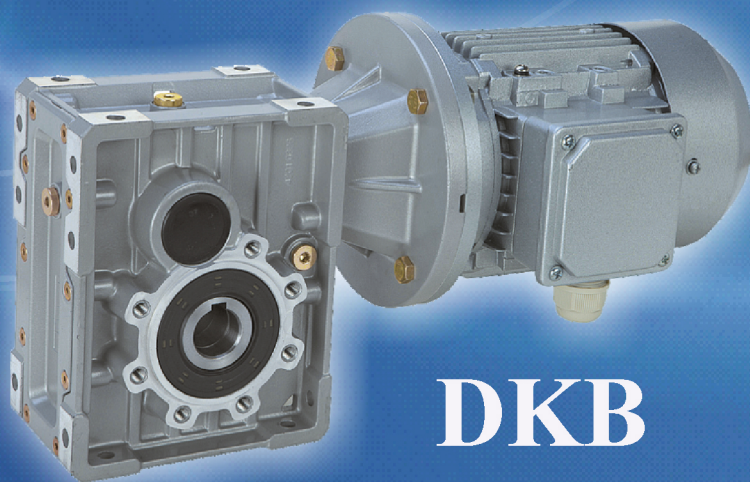
Riduttori ad assi ortogonali
Helical - Hypoid Gear Units

ELLE.GI SRL

*Organi di
Trasmissione*



DKM



DKB

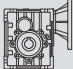
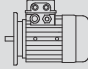
DKM48., DKB48.. $n_1=1400$ r/min **350Nm**

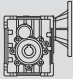
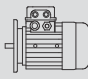
Gear units		i Nominal	i Actual	n_2 [r/min]	M_2 max [Nm]	F_{R2} [N]	63B5	71B5	80B5 80B14	90B5 90B14	100B5 100B14	112B5 112B14
3 Stadio / Stage												
DKM48C	DKB48C	300	297.21	4.7	350	6500						
DKM48C	DKB48C	250	240.89	5.8	350	6500						
DKM48C	DKB48C	200	200.66	7.0	300	6500						
DKM48C	DKB48C	150	151.20	9.3	350	6500						
DKM48C	DKB48C	125	125.95	11.1	300	5980						
DKM48C	DKB48C	100	99.22	14.1	240	5520						
DKM48C	DKB48C	75	75.45	18.6	200	5040						
DKM48C	DKB48C	60	62.43	22	300	4730						
DKM48C	DKB48C	50	49.18	28	240	4370						
2 Stadio / Stage												
DKM48B	DKB48B	60	59.44	24	350	4660						
DKM48B	DKB48B	50	48.18	29	350	4340						
DKM48B	DKB48B	40	40.13	35	300	4080						
DKM48B	DKB48B	30	30.24	46	350	3720						
DKM48B	DKB48B	25	25.19	56	300	3500						
DKM48B	DKB48B	20	19.84	71	240	3230						
DKM48B	DKB48B	15	15.09	93	200	2950						
DKM48B	DKB48B	12.5	12.49	112	300	2770						
DKM48B	DKB48B	10	9.84	142	240	2550						
DKM48B	DKB48B	7.5	7.48	187	200	2330						

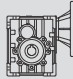
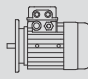
DKM58., DKB58.. $n_1=1400$ r/min **500Nm**

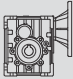
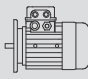
Gear units		i Nominal	i Actual	n_2 [r/min]	M_2 max [Nm]	F_{R2} [N]	63B5	71B5	80B5 80B14	90B5 90B14	100B5 100B14	112B5 112B14
3 Stadio / Stage												
DKM58C	DKB58C	300	295.18	4.7	500	8300						
DKM58C	DKB58C	250	240.89	5.8	500	8300						
DKM58C	DKB58C	200	200.66	7.0	480	8300						
DKM58C	DKB58C	150	151.20	9.3	500	8050						
DKM58C	DKB58C	125	125.95	11.1	480	7580						
DKM58C	DKB58C	100	99.22	14.1	380	7000						
DKM58C	DKB58C	75	75.45	18.6	300	6390						
DKM58C	DKB58C	60	62.43	22	480	6000						
DKM58C	DKB58C	50	49.18	28	380	5540						
2 Stadio / Stage												
DKM58B	DKB58B	60	59.04	24	500	5890						
DKM58B	DKB58B	50	48.18	29	500	5500						
DKM58B	DKB58B	40	40.13	35	480	5170						
DKM58B	DKB58B	30	30.24	46	500	4710						
DKM58B	DKB58B	25	25.19	56	480	4430						
DKM58B	DKB58B	20	19.84	71	380	4090						
DKM58B	DKB58B	15	15.09	93	300	3730						
DKM58B	DKB58B	12.5	12.49	112	480	3510						
DKM58B	DKB58B	10	9.84	142	380	3240						
DKM58B	DKB58B	7.5	7.48	187	300	2950						

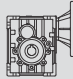
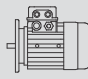
6.2 DKM.. / DKB..(IEC).. Prestazioni / Performance parameter

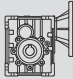
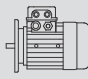
P _{1n} [kW]	n ₂ [r/min]	M _{2n} [Nm]	i		F _{r2} [N]	fs			Page								
			Nominal	Actual													
0.12	5.7	184	250	244.29	4100	0.7	DKM28C	63B5	6314	37							
	7.0	151	200	200.44	4100	0.9											
	9.5	110	150	146.67	4000	1.2											
	11.6	91	125	120.34	3770	1.4											
	13.9	76	100	101.04	3560	1.3											
	18.8	56	75	74.62	3220	1.4											
	22.5	47	60	62.36	3030	2.8											
	26.7	39	50	52.36	2860	2.5											
	24.0	45	60	58.36	2960	2.9	DKM28B	63B5	6314	36							
	28.7	38	50	48.86	2790	3.5											
	35	31	40	40.09	2610	4.2											
	48	23	30	29.33	2350	5.8											
	58	18.5	25	24.07	2200	7.0											
	69	15.6	20	20.21	2080	6.4											
	94	11.5	15	14.92	1880	7.0											
	112	9.6	12.5	12.47	1770	13.5											
	134	8.1	10	10.47	1670	12.4											
	181	5.9	7.5	7.73	1510	13.5											
4.6	228	300	302.50	4800	0.9	DKM38C	63B5	6314	39								
5.7	183	250	243.57	4800	1.1					DKB38C	63B5	6314	47				
7.1	148	200	196.43	4800	1.2												
9.2	114	150	151.56	4650	1.8												
11.5	92	125	122.22	4330	2.0												
13.8	76	100	101.27	4070	2.0												
19.1	55	75	73.33	3650	2.0												
22.1	48	60	63.33	3480	3.8												
26.7	40	50	52.48	3270	3.8												
23.1	47	60	60.50	3430	4.3	DKM38B	63B5	6314	38								
28.7	37	50	48.71	3190	5.3									DKB38B	63B5	6314	46
36	30	40	39.29	2970	6.0												
46	23	30	30.31	2720	8.6												
4.7	224	300	297.21	6500	1.6	DKM48C	63B5	6314	41								
5.8	181	250	240.89	6500	1.9												
7.0	151	200	200.66	6500	2.0												
9.3	114	150	151.20	6500	3.1												
11.1	95	125	125.95	5980	3.2												
14.1	75	100	99.22	5520	3.2												
18.6	57	75	75.45	5040	3.5												
4.7	222	300	295.18	8300	2.2	DKM58C	63B5	6314	43								
5.8	181	250	240.89	8300	2.8					DKB58C	63B5	6314	51				
7.0	151	200	200.66	8300	3.2												
9.3	114	150	151.20	8050	4.4												
9.6	165	300	291.79	4000	0.8	DKM28C	63B5	6312	37								
11.5	138	250	244.29	3790	0.9												
14.0	113	200	200.44	3550	1.1												
19.1	83	150	146.67	3200	1.6												
23.3	68	125	120.34	2990	1.9												
27.7	57	100	101.04	2820	1.8												
38	42	75	74.62	2550	1.9												
45	35	60	62.36	2400	3.7												
53	30	50	52.36	2270	3.4												
48	34	60	58.36	2350	3.9					DKM28B	63B5	6312	36				
57	28	50	48.86	2220	4.6												
70	23	40	40.09	2070	5.6												

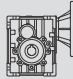
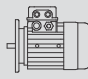
P _{1n} [kW]	n ₂ [r/min]	M _{2n} [Nm]	i		F _{r2} [N]	fs			Page	
			Nominal	Actual						
0.18	9.4	168	300	297.21	6320	2.1	DKM48C	63B5	6312	41
	11.6	136	250	240.89	5890	2.6	DKB48C	63B5	6312	49
	14.0	113	200	200.66	5540	2.6				
	18.5	85	150	151.20	5040	4.1				
	4.7	336	300	297.21	6500	1.0	DKM48C	63B5	6324	41
	5.8	272	250	240.89	6500	1.3	DKB48C	63B5	6324	49
	7.0	227	200	200.66	6500	1.3				
	9.3	171	150	151.20	6500	2.0				
	11.1	142	125	125.95	5980	2.1				
	14.1	112	100	99.22	5520	2.1				
	18.6	85	75	75.45	5040	2.3				
	4.5	353	200	200.66	6500	0.9	DKM48C	71B5	7116	41
6.0	266	150	151.20	6500	1.3	DKB48C	71B5	7116	49	
7.1	221	125	125.95	6500	1.4					
9.1	174	100	99.22	6400	1.4					
11.9	133	75	75.45	5840	1.5					
14.4	110	60	62.43	5480	2.7					
18.3	86	50	49.18	5060	2.8					
15.1	107	60	59.44	5390	3.3	DKM48B	71B5	7116	40	
18.7	87	50	48.18	5030	4.0	DKB48B	71B5	7116	48	
9.5	167	300	295.18	7990	3.0	DKM58C	63B5	6312	43	
11.6	136	250	240.89	7470	3.7	DKB58C	63B5	6312	51	
4.7	333	300	295.18	8300	1.5	DKM58C	63B5	6324	43	
5.8	272	250	240.89	8300	1.8	DKB58C	63B5	6324	51	
7.0	227	200	200.66	8300	2.1					
9.3	171	150	151.20	8050	2.9					
11.1	142	125	125.95	7580	3.4					
14.1	112	100	99.22	7000	3.4					
18.6	85	75	75.45	6390	3.5					
3.0	519	300	295.18	8300	1.0	DKM58C	71B5	7116	43	
3.7	423	250	240.89	8300	1.2	DKB58C	71B5	7116	51	
4.5	353	200	200.66	8300	1.4					
6.0	266	150	151.20	8300	1.9					
7.1	221	125	125.95	8300	2.2					
9.1	174	100	99.22	8110	2.2					
11.9	133	75	75.45	7400	2.3					
14.4	110	60	62.43	6950	4.4					
18.3	86	50	49.18	6420	4.4					
3.0	520	300	296.10	10000	1.4	DKM68C	71B5	7116	45	
3.7	429	250	244.29	10000	1.7	DKB68C	71B5	7116	53	
4.4	362	200	206.29	10000	2.1					
5.9	269	150	153.33	10000	2.8					
7.0	228	125	129.48	9840	3.3					
8.7	182	100	103.64	9130	3.6					
11.9	133	75	75.55	8220	3.9					
0.25	19.1	115	150	146.67	3200	1.1	DKM28C	63B5	6322	37
	23.3	94	125	120.34	2990	1.4				
	27.7	79	100	101.04	2820	1.3				
	38	59	75	74.62	2550	1.4				
	45	49	60	62.36	2400	2.7				
	53	41	50	52.36	2270	2.4				
	48	47	60	58.36	2350	2.8	DKM28B	63B5	6322	36
	57	39	50	48.86	2220	3.3				
	70	32	40	40.09	2070	4.0				
	22.5	98	60	62.36	3030	1.3	DKM28C	71B5/B14	7114	37
	26.7	82	50	52.36	2860	1.2				
	24.0	94	60	58.36	2960	1.4	DKM28B	71B5/B14	7114	36
	28.7	78	50	48.86	2790	1.7				

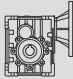
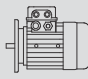
P _{1n} [kW]	n ₂ [r/min]	M _{2n} [Nm]	i		F _{r2} [N]	fs			Page	
			Nominal	Actual						
0.25	35	64	40	40.09	2610	2.0	DKM28B	71B5/B14	7114	36
	48	47	30	29.33	2350	2.8				
	58	39	25	24.07	2200	3.4				
	69	32	20	20.21	2080	3.1				
	94	24	15	14.92	1880	3.3				
	15.4	146	60	58.36	3430	0.9	DKM28B	71B5/B14	7126	36
	18.4	122	50	48.86	3240	1.1				
	22.4	100	40	40.09	3030	1.3				
	31	73	30	29.33	2730	1.8				
	37	60	25	24.07	2550	2.2				
45	50	20	20.21	2410	2.0					
60	37	15	14.92	2180	2.2					
72	31	12.5	12.47	2050	4.2					
86	26	10	10.47	1930	3.8					
116	19.3	7.5	7.73	1750	4.2					
11.5	191	250	243.57	4330	1.0	DKM38C	63B5	6322	39	
14.3	154	200	196.43	4030	1.2	DKB38C	63B5	6322	47	
18.5	119	150	151.56	3690	1.7					
22.9	96	125	122.22	3440	1.9					
27.6	79	100	101.27	3230	1.9					
38	58	75	73.33	2900	1.9					
44	50	60	63.33	2760	3.6					
53	41	50	52.48	2590	3.6					
11.5	192	125	122.22	4330	0.9	DKM38C	71B5/B14	7114	39	
13.8	159	100	101.27	4070	0.9	DKB38C	71B5/B14	7114	47	
19.1	115	75	73.33	3650	1.0					
22.1	99	60	63.33	3480	1.8					
26.7	82	50	52.48	3270	1.8					
23.1	97	60	60.50	3430	2.1	DKM38B	71B5/B14	7114	38	
28.7	78	50	48.71	3190	2.6	DKB38B	71B5/B14	7114	46	
36	63	40	39.29	2970	2.9					
46	49	30	30.31	2720	4.1					
14.2	155	60	63.33	4030	1.2	DKM38C	71B5/B14	7126	39	
17.1	128	50	52.48	3790	1.2	DKB38C	71B5/B14	7126	47	
14.9	151	60	60.50	3970	1.3	DKM38B	71B5/B14	7126	38	
18.5	121	50	48.71	3690	1.6	DKB38B	71B5/B14	7126	46	
22.9	98	40	39.29	3440	1.8					
29.7	76	30	30.31	3150	2.6					
37	61	25	24.44	2930	3.0					
44	50	20	20.25	2760	3.0					
61	37	15	14.67	2470	3.0					
9.4	233	300	297.21	6320	1.5	DKM48C	63B5	6322	41	
11.6	189	250	240.89	5890	1.9	DKB48C	63B5	6322	49	
14.0	157	200	200.66	5540	1.9					
18.5	119	150	151.20	5040	3.0					
22.2	99	125	125.95	4750	3.0					
28.2	78	100	99.22	4380	3.1					
37	59	75	75.45	4000	3.4					
5.8	378	250	240.89	6500	0.9	DKM48C	71B5	7114	41	
7.0	315	200	200.66	6500	1.0	DKB48C	71B5	7114	49	
9.3	237	150	151.20	6500	1.5					
11.1	198	125	125.95	5980	1.5					
14.1	156	100	99.22	5520	1.5					
18.6	118	75	75.45	5040	1.7					
22.4	98	60	62.43	4730	3.1					
28.5	77	50	49.18	4370	3.1					
6.0	369	150	151.20	6500	0.9	DKM48C	71B5	7126	41	
7.1	307	125	125.95	6500	1.0	DKB48C	71B5	7126	49	

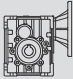
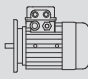
P _{1n} [kW]	n ₂ [r/min]	M _{2n} [Nm]	i		F _{r2} [N]	fs			Page		
			Nominal	Actual							
0.25	9.1	242	100	99.22	6400	1.0	DKM48C	71B5	7126	41	
	11.9	184	75	75.45	5840	1.1	DKB48C	71B5	7126	49	
	14.4	152	60	62.43	5480	2.0					
	18.3	120	50	49.18	5060	2.0					
	15.1	148	60	59.44	5390	2.4	DKM48B	71B5	7126	40	
	18.7	120	50	48.18	5030	2.9	DKB48B	71B5	7126	48	
	22.4	100	40	40.13	4730	3.0					
	9.5	232	300	295.18	7990	2.2	DKM58C	63B5	6322	43	
	11.6	189	250	240.89	7470	2.6	DKB58C	63B5	6322	51	
	14.0	157	200	200.66	7030	3.0					
	18.5	119	150	151.20	6390	4.2					
	4.7	463	300	295.18	8300	1.1	DKM58C	71B5	7114	43	
	5.8	378	250	240.89	8300	1.3	DKB58C	71B5	7114	51	
	7.0	315	200	200.66	8300	1.5					
	9.3	237	150	151.20	8050	2.1					
	11.1	198	125	125.95	7580	2.4					
	14.1	156	100	99.22	7000	2.4					
	18.6	118	75	75.45	6390	2.5					
	22.4	98	60	62.43	6000	4.9					
	28.5	77	50	49.18	5540	4.9					
	3.7	588	250	240.89	8300	0.9	DKM58C	71B5	7126	43	
	4.5	490	200	200.66	8300	1.0	DKB58C	71B5	7126	51	
	6.0	369	150	151.20	8300	1.4					
	7.1	307	125	125.95	8300	1.6					
	9.1	242	100	99.22	8110	1.6					
	11.9	184	75	75.45	7400	1.6					
	14.4	152	60	62.43	6950	3.2					
	18.3	120	50	49.18	6420	3.2					
	15.2	147	60	59.04	6820	3.4	DKM58B	71B5	7126	42	
	18.7	120	50	48.18	6370	4.2	DKB58B	71B5	7126	50	
	4.7	465	300	296.10	10000	1.6	DKM68C	71B5	7114	45	
	5.7	383	250	244.29	10000	2.0	DKB68C	71B5	7114	53	
	6.8	324	200	206.29	9920	2.3					
	9.1	241	150	153.33	8980	3.1					
	10.8	203	125	129.48	8490	3.7					
	13.5	163	100	103.64	7880	4.0					
	3.0	723	300	296.10	10000	1.0	DKM68C	71B5	7126	45	
	3.7	596	250	244.29	10000	1.3	DKB68C	71B5	7126	53	
	4.4	503	200	206.29	10000	1.5					
	5.9	374	150	153.33	10000	2.0					
	7.0	316	125	129.48	9840	2.4					
	8.7	253	100	103.64	9130	2.6					
	11.9	184	75	75.55	8220	2.8					
	0.37	23.3	140	125	120.34	2990	0.9	DKB28C	71B5/B14	7112	37
		27.7	117	100	101.04	2820	0.9				
		38	87	75	74.62	2550	0.9				
		45	72	60	62.36	2400	1.8				
		53	61	50	52.36	2270	1.6				
48		69	60	58.36	2350	1.9					
57		58	50	48.86	2220	2.2					
70		48	40	40.09	2070	2.7					
95		35	30	29.33	1870	3.7					
24.0		138	60	58.36	2960	0.9	DKB28B	71B5/B14	7124	36	
28.7		116	50	48.86	2790	1.1					
35		95	40	40.09	2610	1.4					
48		70	30	29.33	2350	1.9					
58		57	25	24.07	2200	2.3					
69		48	20	20.21	2080	2.1					

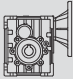
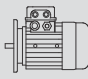
P _{1n} [kW]	n ₂ [r/min]	M _{2n} [Nm]	i		F _{r2} [N]	fs			Page	
			Nominal	Actual						
0.37	94	35	15	14.92	1880	2.3	DKM28C	71B5/B14	7124	36
	112	30	12.5	12.47	1770	4.4				
	134	25	10	10.47	1670	4.0				
	181	18.3	7.5	7.73	1510	4.4				
	22.4	148	40	40.09	3030	0.9	DKM28C	80B5/B14	8016	36
	31	108	30	29.33	2730	1.2				
	37	89	25	24.07	2550	1.5				
	45	75	20	20.21	2410	1.3				
	60	55	15	14.92	2180	1.5				
	72	46	12.5	12.47	2050	2.8				
86	39	10	10.47	1930	2.6					
116	29	7.5	7.73	1750	2.8					
18.5	176	150	151.56	3690	1.1	DKM38C	71B5/B14	7112	39	
22.9	142	125	122.22	3440	1.3	DKB38C	71B5/B14	7112	47	
27.6	118	100	101.27	3230	1.3					
38	85	75	73.33	2900	1.3					
44	74	60	63.33	2760	2.4					
53	61	50	52.48	2590	2.5					
46	72	60	60.50	2720	2.8	DKM38B	71B5/B14	7112	38	
57	58	50	48.71	2530	3.5	DKB38B	71B5/B14	7112	46	
71	47	40	39.29	2350	3.9					
22.1	147	60	63.33	3480	1.2	DKM38C	71B5/B14	7124	39	
26.7	122	50	52.48	3270	1.2	DKB38C	71B5/B14	7124	47	
23.1	144	60	60.50	3430	1.4	DKM38B	71B5/B14	7124	38	
28.7	116	50	48.71	3190	1.7	DKB38B	71B5/B14	7124	46	
36	93	40	39.29	2970	1.9					
46	72	30	30.31	2720	2.8					
57	58	25	24.44	2530	3.1					
69	48	20	20.25	2380	3.1					
95	35	15	14.67	2130	3.2					
14.9	223	60	60.50	3970	0.9	DKM38B	80B5/B14	8016	38	
18.5	180	50	48.71	3690	1.1	DKB38B	80B5/B14	8016	46	
22.9	145	40	39.29	3440	1.2					
29.7	112	30	30.31	3150	1.8					
37	90	25	24.44	2930	2.0					
44	75	20	20.25	2760	2.0					
61	54	15	14.67	2470	2.0					
71	47	12.5	12.67	2360	3.8					
86	39	10	10.50	2210	3.9					
118	28	7.5	7.60	1990	3.9					
9.4	345	300	297.21	6320	1.0	DKM48C	71B5	7112	41	
11.6	280	250	240.89	5890	1.3	DKB48C	71B5	7112	49	
14.0	233	200	200.66	5540	1.3					
18.5	176	150	151.20	5040	2.0					
22.2	146	125	125.95	4750	2.1					
28.2	115	100	99.22	4380	2.1					
37	88	75	75.45	4000	2.3					
45	72	60	62.43	3750	4.1					
57	57	50	49.18	3470	4.2					
9.3	351	150	151.20	6500	1.0	DKM48C	71B5	7124	41	
11.1	292	125	125.95	5980	1.0	DKB48C	71B5	7124	49	
14.1	230	100	99.22	5520	1.0					
18.6	175	75	75.45	5040	1.1					
22.4	145	60	62.43	4730	2.1					
28.5	114	50	49.18	4370	2.1					
23.6	141	60	59.44	4660	2.5	DKM48B	71B5	7124	40	
29.1	114	50	48.18	4340	3.1	DKB48B	71B5	7124	48	
35	95	40	40.13	4080	3.2					

P _{1n} [kW]	n ₂ [r/min]	M _{2n} [Nm]	i		F _{r2} [N]	f _s			Page	
			Nominal	Actual						
0.37	14.4	225	60	62.43	5480	1.3	DKM48C	80B5/B14	8016	41
	18.3	178	50	49.18	5060	1.4	DKB48C	80B5/B14	8016	49
	15.1	219	60	59.44	5390	1.6	DKM48B	80B5/B14	8016	40
	18.7	178	50	48.18	5030	2.0	DKB48B	80B5/B14	8016	48
	22.4	148	40	40.13	4730	2.0				
	29.8	112	30	30.24	4310	3.1				
	36	93	25	25.19	4050	3.2				
	45	73	20	19.84	3740	3.3				
	60	56	15	15.09	3410	3.6				
	9.5	343	300	295.18	7990	1.5	DKM58C	71B5	7112	43
11.6	280	250	240.89	7470	1.8	DKB58C	71B5	7112	51	
14.0	233	200	200.66	7030	2.1					
18.5	176	150	151.20	6390	2.8					
22.2	146	125	125.95	6010	3.3					
28.2	115	100	99.22	5550	3.3					
37	88	75	75.45	5070	3.4					
5.8	559	250	240.89	8300	0.9	DKM58C	71B5	7124	43	
7.0	466	200	200.66	8300	1.0	DKB58C	71B5	7124	51	
9.3	351	150	151.20	8050	1.4					
11.1	292	125	125.95	7580	1.6					
14.1	230	100	99.22	7000	1.6					
18.6	175	75	75.45	6390	1.7					
22.4	145	60	62.43	6000	3.3					
28.5	114	50	49.18	5540	3.3					
23.7	140	60	59.04	5890	3.6	DKM58B	71B5	7124	42	
29.1	114	50	48.18	5500	4.4	DKB58B	71B5	7124	50	
6.0	546	150	151.20	8300	0.9	DKM58C	80B5/B14	8016	43	
7.1	455	125	125.95	8300	1.1	DKB58C	80B5/B14	8016	51	
9.1	358	100	99.22	8110	1.1					
11.9	273	75	75.45	7400	1.1					
14.4	225	60	62.43	6950	2.1					
18.3	178	50	49.18	6420	2.1					
15.2	218	60	59.04	6820	2.3	DKM58B	80B5/B14	8016	42	
18.7	178	50	48.18	6370	2.8	DKB58B	80B5/B14	8016	50	
22.4	148	40	40.13	6000	3.2					
9.5	344	300	296.10	8880	2.2	DKM68C	71B5	7112	45	
11.5	284	250	244.29	8330	2.6	DKB68C	71B5	7112	53	
13.6	240	200	206.29	7870	3.1					
18.3	178	150	153.33	7130	4.2					
4.7	688	300	296.10	10000	1.1	DKM68C	71B5	7124	45	
5.7	567	250	244.29	10000	1.3	DKB68C	71B5	7124	53	
6.8	479	200	206.29	9920	1.6					
9.1	356	150	153.33	8980	2.1					
10.8	301	125	129.48	8490	2.5					
13.5	241	100	103.64	7880	2.7					
18.5	175	75	75.55	7090	3.0					
4.4	745	200	206.29	10000	1.0	DKM68C	80B5	8016	45	
5.9	554	150	153.33	10000	1.4	DKB68C	80B5	8016	53	
7.0	468	125	129.48	9840	1.6					
8.7	374	100	103.64	9130	1.7					
11.9	273	75	75.55	8220	1.9					
14.0	232	60	64.18	7780	3.2					
17.5	186	50	51.37	7230	3.5					
15.2	219	60	59.22	7580	3.4	DKM68B	80B5	8016	44	
18.4	180	50	48.86	7110	4.2	DKB68B	80B5	8016	52	

P _{1n} [kW]	n ₂ [r/min]	M _{2n} [Nm]	i		F _{r2} [N]	fs			Page	
			Nominal	Actual						
0.55	45	108	60	62.36	2400	1.2	DKM28C	71B5/B14	7122	37
	53	90	50	52.36	2270	1.1				
	48	103	60	58.36	2350	1.3	DKM28B	71B5/B14	7122	36
	57	86	50	48.86	2220	1.5				
	70	71	40	40.09	2070	1.8				
	95	52	30	29.33	1870	2.5				
	116	42	25	24.07	1750	3.1				
	139	36	20	20.21	1650	2.8				
	188	26	15	14.92	1490	3.0				
	35	141	40	40.09	2610	0.9	DKM28B	80B5/B14	8014	36
48	103	30	29.33	2350	1.3					
58	85	25	24.07	2200	1.5					
69	71	20	20.21	2080	1.4					
94	53	15	14.92	1880	1.5					
112	44	12.5	12.47	1770	3.0					
134	37	10	10.47	1670	2.7					
181	27	7.5	7.73	1510	2.9					
37	132	25	24.07	2550	1.0	DKM28B	80B5/B14	8026	36	
45	111	20	20.21	2410	0.9					
60	82	15	14.92	2180	1.0					
72	68	12.5	12.47	2050	1.9					
86	57	10	10.47	1930	1.7					
116	42	7.5	7.73	1750	1.9					
22.9	211	125	122.22	3440	0.9	DKM38C	71B5/B14	7122	39	
27.6	175	100	101.27	3230	0.9	DKB38C	71B5/B14	7122	47	
38	127	75	73.33	2900	0.9					
44	109	60	63.33	2760	1.6					
53	91	50	52.48	2590	1.7					
46	107	60	60.50	2720	1.9	DKM38B	71B5/B14	7122	38	
57	86	50	48.71	2530	2.3	DKB38B	71B5/B14	7122	46	
71	69	40	39.29	2350	2.6					
92	53	30	30.31	2160	3.7					
23.1	213	60	60.50	3430	0.9	DKM38B	80B5/B14	8014	38	
28.7	172	50	48.71	3190	1.2	DKB38B	80B5/B14	8014	46	
36	139	40	39.29	2970	1.3					
46	107	30	30.31	2720	1.9					
57	86	25	24.44	2530	2.1					
69	71	20	20.25	2380	2.1					
95	52	15	14.67	2130	2.1					
110	45	12.5	12.67	2030	4.0					
133	37	10	10.50	1910	4.1					
184	27	7.5	7.60	1710	4.1					
22.9	216	40	39.29	3440	0.8	DKM38B	80B5/B14	8026	38	
29.7	166	30	30.31	3150	1.2	DKB38B	80B5/B14	8026	46	
37	134	25	24.44	2930	1.3					
44	111	20	20.25	2760	1.4					
61	80	15	14.67	2470	1.4					
71	70	12.5	12.67	2360	2.6					
86	58	10	10.50	2210	2.6					
118	42	7.5	7.60	1990	2.6					
14.0	346	200	200.66	5540	0.9	DKM48C	71B5	7122	41	
18.5	261	150	151.20	5040	1.3	DKB48C	71B5	7122	49	
22.2	217	125	125.95	4750	1.4					
28.2	171	100	99.22	4380	1.4					
37	130	75	75.45	4000	1.5					
45	108	60	62.43	3750	2.8					
57	85	50	49.18	3470	2.8					

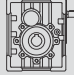
P _{1n} [kW]	n ₂ [r/min]	M _{2n} [Nm]	i		F _{r2} [N]	fs			Page	
			Nominal	Actual						
0.55	47	105	60	59.44	3690	3.3	DKM48B	71B5	7122	40
	58	85	50	48.18	3440	4.1	DKB48B	71B5	7122	48
	70	71	40	40.13	3240	4.2				
	18.6	260	75	75.45	5040	0.8	DKM48C	80B5/B14	8014	41
	22.4	215	60	62.43	4730	1.4	DKB48C	80B5/B14	8014	49
	28.5	170	50	49.18	4370	1.4				
	23.6	210	60	59.44	4660	1.7	DKM48B	80B5/B14	8014	40
	29.1	170	50	48.18	4340	2.1	DKB48B	80B5/B14	8014	48
	35	142	40	40.13	4080	2.1				
	46	107	30	30.24	3720	3.3				
	56	89	25	25.19	3500	3.4				
	71	70	20	19.84	3230	3.4				
	93	53	15	15.09	2950	3.8				
	14.4	335	60	62.43	5480	0.9	DKM48C	80B5/B14	8026	41
	18.3	264	50	49.18	5060	0.9	DKB48C	80B5/B14	8026	49
	15.1	326	60	59.44	5390	1.1	DKM48B	80B5/B14	8026	40
	18.7	264	50	48.18	5030	1.3	DKB48B	80B5/B14	8026	48
	22.4	220	40	40.13	4730	1.4				
	29.8	166	30	30.24	4310	2.1				
	36	138	25	25.19	4050	2.2				
	45	109	20	19.84	3740	2.2				
	60	83	15	15.09	3410	2.4				
	9.5	509	300	295.18	7990	1.0	DKM58C	71B5	7122	43
	11.6	416	250	240.89	7470	1.2	DKB58C	71B5	7122	51
	14.0	346	200	200.66	7030	1.4				
	18.5	261	150	151.20	6390	1.9				
	22.2	217	125	125.95	6010	2.2				
	28.2	171	100	99.22	5550	2.2				
	37	130	75	75.45	5070	2.3				
	45	108	60	62.43	4760	4.5				
	57	85	50	49.18	4390	4.5				
	9.3	522	150	151.20	8050	1.0	DKM58C	80B5/B14	8014	43
	11.1	435	125	125.95	7580	1.1	DKB58C	80B5/B14	8014	51
	14.1	342	100	99.22	7000	1.1				
	18.6	260	75	75.45	6390	1.2				
	22.4	215	60	62.43	6000	2.2				
	28.5	170	50	49.18	5540	2.2				
	23.7	208	60	59.04	5890	2.4	DKM58B	80B5/B14	8014	42
	29.1	170	50	48.18	5500	2.9	DKB58B	80B5/B14	8014	50
	35	142	40	40.13	5170	3.4				
	14.4	335	60	62.43	6950	1.4	DKM58C	80B5/B14	8026	43
	18.3	264	50	49.18	6420	1.4	DKB58C	80B5/B14	8026	51
	15.2	324	60	59.04	6820	1.5	DKM58B	80B5/B14	8026	42
	18.7	264	50	48.18	6370	1.9	DKB58B	80B5/B14	8026	50
	22.4	220	40	40.13	6000	2.2				
	29.8	166	30	30.24	5460	3.0				
	36	138	25	25.19	5130	3.5				
	45	109	20	19.84	4740	3.5				
60	83	15	15.09	4330	3.6					
9.5	511	300	296.10	8880	1.5	DKM68C	71B5	7122	45	
11.5	422	250	244.29	8330	1.8	DKB68C	71B5	7122	53	
13.6	356	200	206.29	7870	2.1					
18.3	265	150	153.33	7130	2.8					
21.6	223	125	129.48	6740	3.4					
27.0	179	100	103.64	6260	3.6					
37	130	75	75.55	5630	4.0					

P _{1n} [kW]	n ₂ [r/min]	M _{2n} [Nm]	i		F _{r2} [N]	fs			Page	
			Nominal	Actual						
0.75	29.7	227	30	30.31	3150	0.9	DKM38B	90B5/B14	90S6	38
	37	183	25	24.44	2930	1.0	DKB38B	90B5/B14	90S6	46
	44	151	20	20.25	2760	1.0				
	61	110	15	14.67	2470	1.0				
	71	95	12.5	12.67	2360	1.9				
	86	79	10	10.50	2210	1.9				
	118	57	7.5	7.60	1990	1.9				
	18.5	356	150	151.20	5040	1.0	DKM48C	80B5/B14	8012	41
	22.2	296	125	125.95	4750	1.0	DKB48C	80B5/B14	8012	49
	28.2	234	100	99.22	4380	1.0				
37	178	75	75.45	4000	1.1					
45	147	60	62.43	3750	2.0					
57	116	50	49.18	3470	2.1					
47	143	60	59.44	3690	2.4	DKM48B	80B5/B14	8012	40	
58	116	50	48.18	3440	3.0	DKB48B	80B5/B14	8012	48	
70	96	40	40.13	3240	3.1					
22.4	294	60	62.43	4730	1.0	DKM48C	80B5/B14	8024	41	
28.5	231	50	49.18	4370	1.0	DKB48C	80B5/B14	8024	49	
23.6	286	60	59.44	4660	1.2	DKM48B	80B5/B14	8024	40	
29.1	232	50	48.18	4340	1.5	DKB48B	80B5/B14	8024	48	
35	193	40	40.13	4080	1.6					
46	145	30	30.24	3720	2.4					
56	121	25	25.19	3500	2.5					
71	95	20	19.84	3230	2.5					
93	73	15	15.09	2950	2.8					
18.7	360	50	48.18	5030	1.0	DKM48B	90B5/B14	90S6	40	
22.4	300	40	40.13	4730	1.0	DKB48B	90B5/B14	90S6	48	
29.8	226	30	30.24	4310	1.5					
36	188	25	25.19	4050	1.6					
45	148	20	19.84	3740	1.6					
60	113	15	15.09	3410	1.8					
72	93	12.5	12.49	3210	3.2					
91	74	10	9.84	2960	3.3					
120	56	7.5	7.48	2700	3.6					
11.6	567	250	240.89	7470	0.9	DKM58C	80B5/B14	8012	43	
14.0	472	200	200.66	7030	1.0	DKB58C	80B5/B14	8012	51	
18.5	356	150	151.20	6390	1.4					
22.2	296	125	125.95	6010	1.6					
28.2	234	100	99.22	5550	1.6					
37	178	75	75.45	5070	1.7					
45	147	60	62.43	4760	3.3					
57	116	50	49.18	4390	3.3					
47	142	60	59.04	4670	3.5	DKM58B	80B5/B14	8012	42	
58	116	50	48.18	4360	4.3	DKB58B	80B5/B14	8012	50	
22.4	294	60	62.43	6000	1.6	DKM58C	80B5/B14	8024	43	
28.5	231	50	49.18	5540	1.6	DKB58C	80B5/B14	8024	51	
23.7	284	60	59.04	5890	1.8	DKM58B	80B5/B14	8024	42	
29.1	232	50	48.18	5500	2.2	DKB58B	80B5/B14	8024	50	
35	193	40	40.13	5170	2.5					
46	145	30	30.24	4710	3.4					
56	121	25	25.19	4430	4.0					
71	95	20	19.84	4090	4.0					
93	73	15	15.09	3730	4.1					
14.4	457	60	62.43	6950	1.1	DKM58C	90B5/B14	90S6	43	
18.3	360	50	49.18	6420	1.1	DKB58C	90B5/B14	90S6	51	

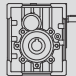
P _{1n} [kW]	n ₂ [r/min]	M _{2n} [Nm]	i		F _{r2} [N]	fs			Page	
			Nominal	Actual						
1.1	46	214	30	30.31	2720	0.9	DKM38B	90B5/B14	90S4	38
	57	172	25	24.44	2530	1.0	DKB38B	90B5/B14	90S4	46
	69	143	20	20.25	2380	1.1				
	95	103	15	14.67	2130	1.1				
	110	89	12.5	12.67	2030	2.0				
	133	74	10	10.50	1910	2.0				
	184	54	7.5	7.60	1710	2.1				
	71	139	12.5	12.67	2360	1.3	DKM38B	90B5/B14	90L6	38
	86	115	10	10.50	2210	1.3	DKB38B	90B5/B14	90L6	46
	118	83	7.5	7.60	1990	1.3				
45	215	60	62.43	3750	1.4	DKM48C	80B5/B14	8022	41	
57	170	50	49.18	3470	1.4	DKB48C	80B5/B14	8022	49	
47	210	60	59.44	3690	1.7	DKM48B	80B5/B14	8022	40	
58	170	50	48.18	3440	2.1	DKB48B	80B5/B14	8022	48	
70	142	40	40.13	3240	2.1					
93	107	30	30.24	2950	3.3					
111	89	25	25.19	2770	3.4					
141	70	20	19.84	2560	3.4					
186	53	15	15.09	2340	3.8					
29.1	340	50	48.18	4340	1.0	DKM48B	90B5/B14	90S4	40	
35	283	40	40.13	4080	1.1	DKB48B	90B5/B14	90S4	48	
46	213	30	30.24	3720	1.6					
56	178	25	25.19	3500	1.7					
71	140	20	19.84	3230	1.7					
93	106	15	15.09	2950	1.9					
112	88	12.5	12.49	2770	3.4					
142	69	10	9.84	2550	3.5					
187	53	7.5	7.48	2330	3.8					
29.8	332	30	30.24	4310	1.1	DKM48B	90B5/B14	90L6	40	
36	276	25	25.19	4050	1.1	DKB48B	90B5/B14	90L6	48	
45	218	20	19.84	3740	1.1					
60	166	15	15.09	3410	1.2					
72	137	12.5	12.49	3210	2.2					
91	108	10	9.84	2960	2.2					
120	82	7.5	7.48	2700	2.4					
18.5	522	150	151.20	6390	1.0	DKM58C	80B5/B14	8022	43	
22.2	435	125	125.95	6010	1.1	DKM48C	80B5/B14	8022	51	
28.2	342	100	99.22	5550	1.1					
37	260	75	75.45	5070	1.2					
45	215	60	62.43	4760	2.2					
57	170	50	49.18	4390	2.2					
47	208	60	59.04	4670	2.4	DKM58B	80B5/B14	8022	42	
58	170	50	48.18	4360	2.9	DKM48B	80B5/B14	8022	50	
70	142	40	40.13	4110	3.4					
22.4	431	60	62.43	6000	1.1	DKM58C	90B5/B14	90S4	43	
28.5	340	50	49.18	5540	1.1	DKM48C	90B5/B14	90S4	51	
23.7	416	60	59.04	5890	1.2	DKM58B	90B5/B14	90S4	42	
29.1	340	50	48.18	5500	1.5	DKM48B	90B5/B14	90S4	50	
35	283	40	40.13	5170	1.7					
46	213	30	30.24	4710	2.3					
56	178	25	25.19	4430	2.7					
71	140	20	19.84	4090	2.7					
93	106	15	15.09	3730	2.8					
18.7	529	50	48.18	6370	0.9	DKM58B	90B5/B14	90L6	42	
22.4	440	40	40.13	6000	1.1	DKM48B	90B5/B14	90L6	50	
29.8	332	30	30.24	5460	1.5					
36	276	25	25.19	5130	1.7					
45	218	20	19.84	4740	1.7					
60	166	15	15.09	4330	1.8					

6.3 DKM/DKB.. HS Prestazioni / Performance parameter

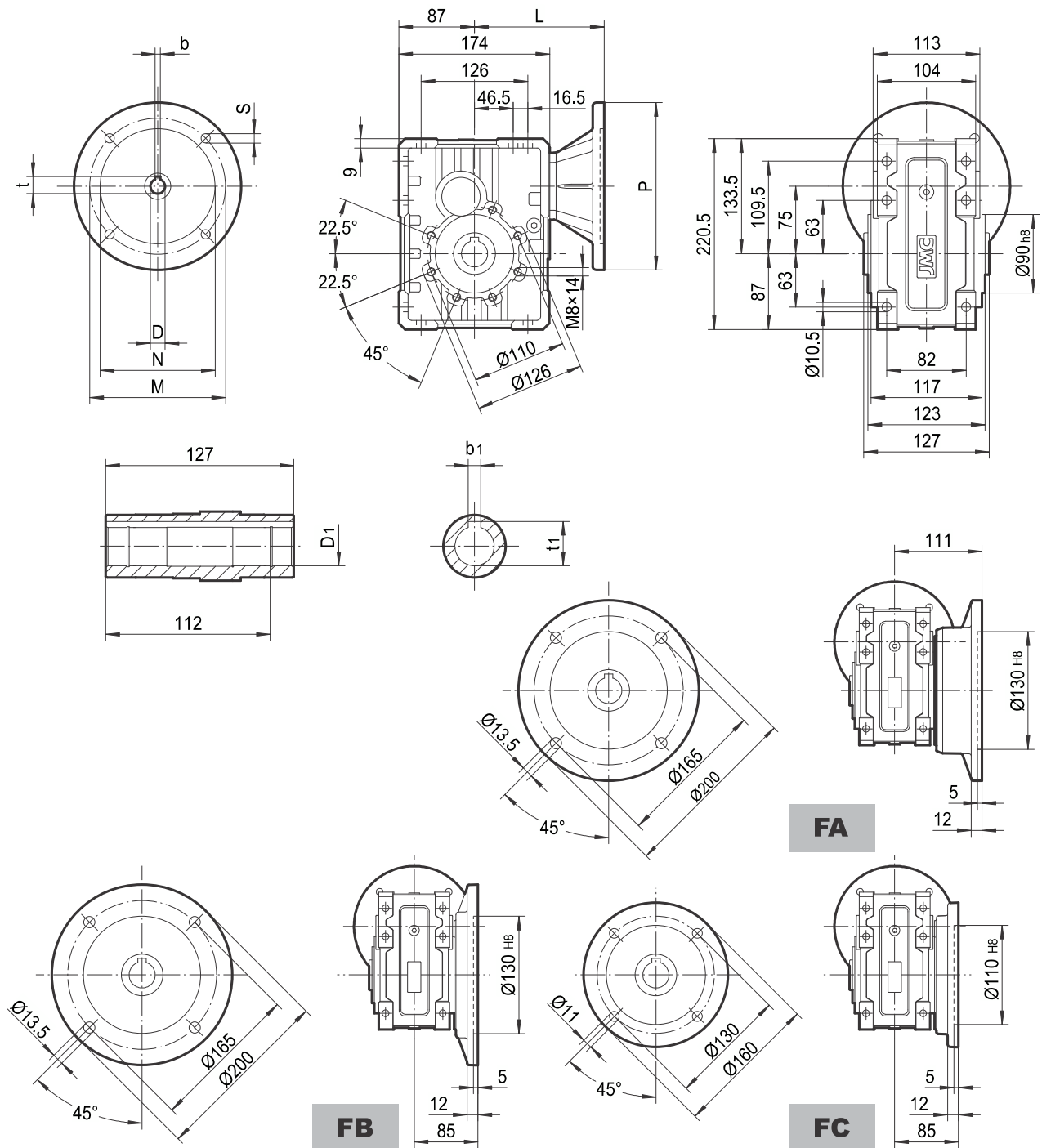
$n_1=1400\text{r/min}$

$M_{2\text{max}}$ [Nm]	n_2 [r/min]	i Nominal	i Actual	P_{1n} [kW]	Fr_2 [N]	Fr_1 [N]		Page
130	4.8	300	291.79	0.07	4100	400	DKM28C...HS	54
130	5.7	250	244.29	0.08	4100	400		
130	7.0	200	200.44	0.10	4100	400		
130	9.5	150	146.67	0.14	4000	400		
130	11.6	125	120.34	0.17	3770	400		
100	13.9	100	101.04	0.16	3560	400		
80	18.8	75	74.62	0.17	3220	400		
130	22.5	60	62.36	0.33	3030	400		
100	27	50	52.36	0.30	2860	400		
130	24	60	58.36	0.35	2960	400	DKM28B...HS	54
130	29	50	48.86	0.41	2790	400		
130	35	40	40.09	0.51	2610	400		
130	48	30	29.33	0.69	2350	400		
130	58	25	24.07	0.84	2200	400		
100	69	20	20.21	0.77	2080	400		
80	94	15	14.92	0.84	1880	400		
130	112	12.5	12.47	1.6	1770	400		
100	134	10	10.47	1.5	1670	400		
80	181	7.5	7.73	1.6	1510	400		
200	4.6	300	302.50	0.11	4800	400	DKM38C...HS DKB38C...HS	54
200	5.7	250	243.57	0.13	4800	400		
180	7.1	200	196.43	0.15	4800	400		
200	9.2	150	151.56	0.21	4650	400		
180	11.5	125	122.22	0.23	4330	400		
150	13.8	100	101.27	0.24	4070	400		
110	19.1	75	73.33	0.24	3650	400		
180	22	60	63.33	0.45	3480	400		
150	27	50	52.48	0.46	3270	400		
200	23	60	60.50	0.52	3430	530	DKM38B...HS DKB38B...HS	54
200	29	50	48.71	0.64	3190	530		
180	36	40	39.29	0.71	2970	530		
200	46	30	30.31	1.0	2720	530		
180	57	25	24.44	1.1	2530	530		
150	69	20	20.25	1.2	2380	530		
110	95	15	14.67	1.2	2130	530		
180	110	12.5	12.67	2.2	2030	530		
150	133	10	10.50	2.2	1910	530		
110	184	7.5	7.60	2.3	1710	530		
350	4.7	300	297.21	0.19	6500	560	DKM48C...HS DKB48C...HS	54
350	5.8	250	240.89	0.23	6500	560		
300	7.0	200	200.66	0.24	6500	560		
350	9.3	150	151.20	0.37	6500	560		
300	11.1	125	125.95	0.38	5980	560		
240	14.1	100	99.22	0.39	5520	560		
200	18.6	75	75.45	0.42	5040	560		
300	22	60	62.43	0.77	4730	560		
240	28	50	49.18	0.78	4370	560		
350	24	60	59.44	0.92	4660	860	DKM48B...HS DKB48B...HS	54
350	29	50	48.18	1.1	4340	860		
300	35	40	40.13	1.2	4080	860		
350	46	30	30.24	1.8	3720	860		
300	56	25	25.19	1.9	3500	860		

$n_1=1400\text{r/min}$

$M_{2\text{ max}}$ [Nm]	n_2 [r/min]	i Nominal	i Actual	P_{1n} [kW]	Fr_2 [N]	Fr_1 [N]		Page
240	71	20	19.84	1.9	3230	860	DKM48B...HS DKB48B...HS	54
200	93	15	15.09	2.1	2950	860		54
300	112	12.5	12.49	3.7	2770	860		
240	142	10	9.84	3.8	2550	860		
200	187	7.5	7.48	4.2	2330	860		
500	4.7	300	295.18	0.27	8300	560	DKM58C...HS DKB58C...HS	54
500	5.8	250	240.89	0.33	8300	560		54
480	7.0	200	200.66	0.38	8300	560		
500	9.3	150	151.20	0.53	8050	560		
480	11.1	125	125.95	0.61	7580	560		
380	14.1	100	99.22	0.61	7000	560		
300	18.6	75	75.45	0.63	6390	560		
480	22	60	62.43	1.2	6000	560		
380	28	50	49.18	1.2	5540	560		
500	24	60	59.04	1.3	5890	1260	DKM58B...HS DKB58B...HS	54
500	29	50	48.18	1.6	5500	1260		54
480	35	40	40.13	1.9	5170	1260		
500	46	30	30.24	2.6	4710	1260		
480	56	25	25.19	3.0	4430	1260		
380	71	20	19.84	3.0	4090	1260		
300	93	15	15.09	3.1	3730	1260		
480	112	12.5	12.49	6.0	3510	1260		
380	142	10	9.84	6.0	3240	1260		
300	187	7.5	7.48	6.3	2950	1260		
750	4.7	300	296.10	0.40	10000	740	DKM68C...HS DKB68C...HS	54
750	5.7	250	244.29	0.49	10000	740		54
750	6.8	200	206.29	0.58	9920	740		
750	9.1	150	153.33	0.78	8980	740		
750	10.8	125	129.48	0.92	8490	740		
650	13.5	100	103.64	1.0	7880	740		
520	18.5	75	75.55	1.1	7090	740		
750	22	60	64.18	1.9	6720	740		
650	27	50	51.37	2.0	6240	740		
750	24	60	59.22	2.0	6540	1490	DKM68B...HS DKB68B...HS	54
750	29	50	48.86	2.4	6130	1490		54
750	34	40	41.26	2.8	5800	1490		
750	46	30	30.67	3.8	5250	1490		
750	54	25	25.90	4.5	4960	1490		
650	68	20	20.73	4.9	4610	1490		
520	93	15	15.11	5.4	4150	1490		
750	109	12.5	12.84	9.1	3930	1490		
650	136	10	10.27	9.9	3650	1490		
520	187	7.5	7.49	10.8	3280	1490		

DKB48B..



IEC	D _{E8}	b	t	P	M	N	S	T	L	D ₁ H8	b ₁	t ₁
71B5	14	5	16.3	160	130	110	9	4	146	28*	8*	31.3*
80B5	19	6	21.8	200	165	130	11	4	166	30	8	33.3
80B14	19	6	21.8	120	100	80	7	4	166	35*	10*	38.3*
90B5	24	8	27.3	200	165	130	11	4	166	* Solo su richiesta * Only on request		
90B14	24	8	27.3	140	115	95	9	4	166			
100/112B5	28	8	31.3	250	215	180	13.5	4.5	176			
100/112B14	28	8	31.3	160	130	110	9	4.5	176			

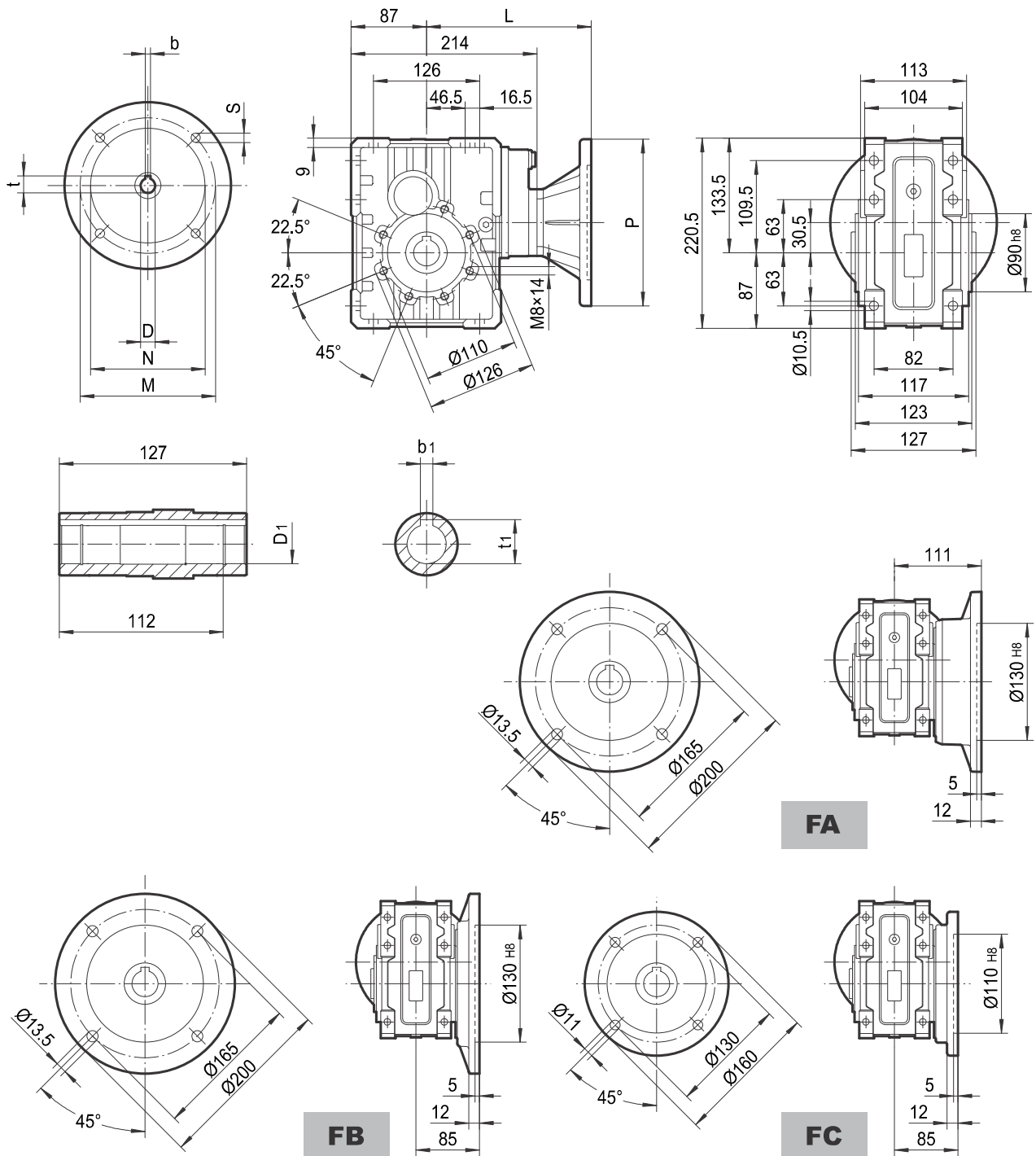
Peso senza motore

≈ 9.5 kg

Weight without motor

≈ 9.5 kg

DKB48C..



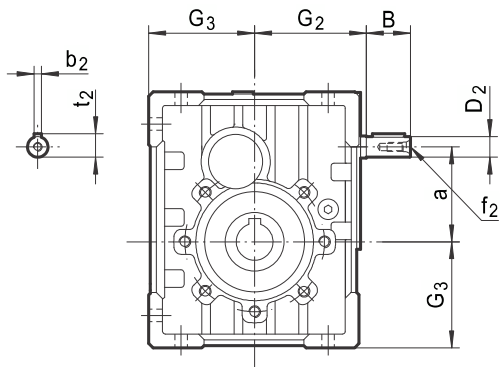
IEC	D _{E8}	b	t	P	M	N	S	T	L	D1 _{H8}	b1	t1
63B5	11	4	12.8	140	115	95	9	4	179	28*	8*	31.3*
71B5	14	5	16.3	160	130	110	9	4	186	30	8	33.3
80B5	19	6	21.8	200	165	130	11	4	206	35*	10*	38.3*
80B14	19	6	21.8	120	100	80	7	4	206	* Solo su richiesta * Only on request		
90B5	24	8	27.3	200	165	130	11	4	206			
90B14	24	8	27.3	140	115	95	9	4	206			

Peso senza motore
≈ 10.8 kg

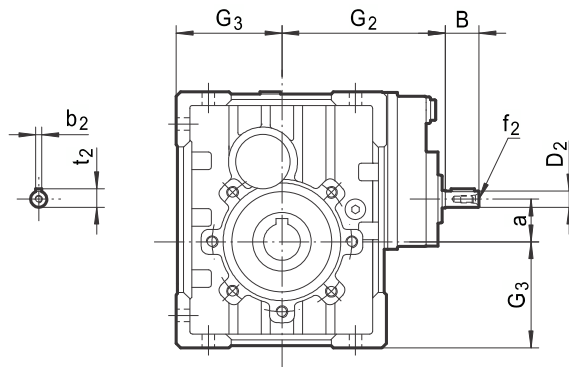
Weight without motor
≈ 10.8 kg

7.3 DKM..HS Dimensioni / Outline Dimension

DKM..B..HS



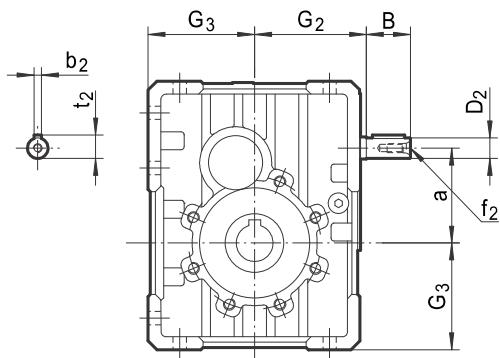
DKM..C..HS



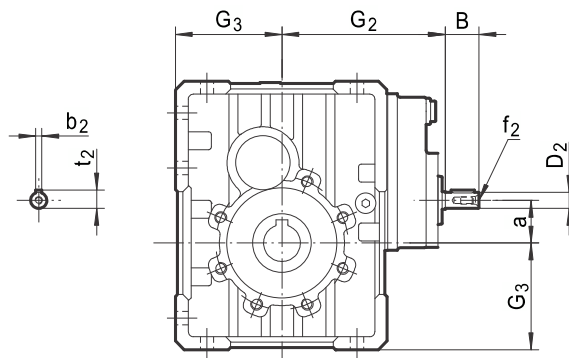
	B	D _{2 j6}	G ₂	G ₃	a	b ₂	f ₂	t ₂
DKM28B	23	11	65	60	57	4	-	12.5
DKM28C	23	11	100	60	21.5	4	-	12.5
DKM38B	30	14	76	72	64.5	5	M6	16
DKM38C	23	11	111	72	29	4	-	12.5
DKM48B	40	16	91	86	74.5	5	M6	18
DKM48C	30	14	132	86	30.5	5	M6	16
DKM58B	40	19	107	103	88	6	M6	21.5
DKM58C	30	14	148	103	44	5	M6	16
DKM68B	50	24	132	127.5	108	8	M8	27
DKM68C	40	19	181	127.5	52	6	M6	21.5

7.4 DKB..HS Dimensioni / Outline Dimension

DKB..B..HS



DKB..C..HS



	B	D _{2 j6}	G ₂	G ₃	a	b ₂	f ₂	t ₂
DKB38B	30	14	76	72.5	64.5	5	M6	16
DKB38C	23	11	111	72.5	29	4	-	12.5
DKB48B	40	16	91	87	74.5	5	M6	18
DKB48C	30	14	132	87	30.5	5	M6	16
DKB58B	40	19	107	100	88	6	M6	21.5
DKB58C	30	14	148	100	44	5	M6	16
DKB68B	50	24	132	125	108	8	M8	27
DKB68C	40	19	181	125	52	6	M6	21.5