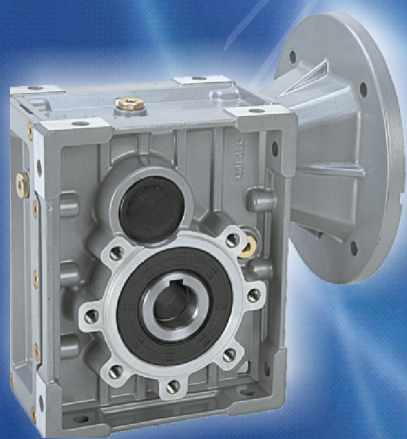


- SERIE DKM / DKB -

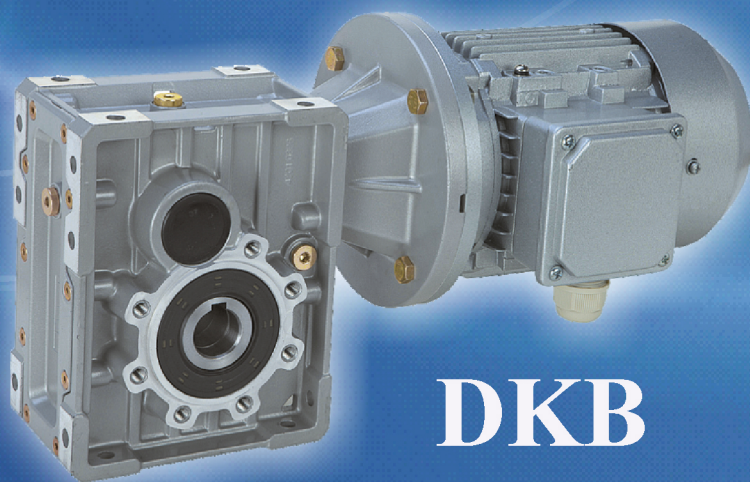
Riduttori ad assi ortogonali
Helical - Hypoid Gear Units

ELLE.GI SRL

*Organi di
Trasmissione*



DKM



DKB

6. TABELLA SELEZIONE RIDUTTORI / GEAR UNIT SELECTION TABLES

6.1 Possibili combinazioni / Possible geometrical combinations

DKM28..

$n_1=1400$ r/min

130Nm

Gear units		i Nominal	i Actual	n_2 [r/min]	M_2 max [Nm]	F_{r2} [N]	63B5	71B5 71B14	80B5 80B14	90B5 90B14
3 Stadio / Stage										
DKM28C		300	291.79	4.8	130	4100				
DKM28C		250	244.29	5.7	130	4100				
DKM28C		200	200.44	7.0	130	4100				
DKM28C		150	146.67	9.5	130	4000				
DKM28C		125	120.34	11.6	100	3770				
DKM28C		100	101.04	13.9	80	3560				
DKM28C		75	74.62	18.8	130	3220				
DKM28C		60	62.36	22	100	3030				
DKM28C		50	52.36	27	110	2860				
2 Stadio / Stage										
DKM28B		60	58.36	24	130	2960				
DKM28B		50	48.86	29	130	2790				
DKM28B		40	40.09	35	130	2610				
DKM28B		30	29.33	48	130	2350				
DKM28B		25	24.07	58	130	2200				
DKM28B		20	20.21	69	100	2080				
DKM28B		15	14.92	94	80	1880				
DKM28B		12.5	12.47	112	130	1770				
DKM28B		10	10.47	134	100	1670				
DKM28B		7.5	7.73	181	80	1510				

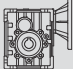
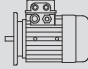
DKM38..; DKM38..

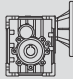
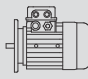
$n_1=1400$ r/min

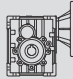
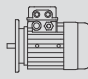
200Nm

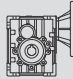
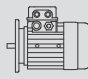
Gear units		i Nominal	i Actual	n_2 [r/min]	M_2 max [Nm]	F_{r2} [N]	63B5	71B5 71B14	80B5 80B14	90B5 90B14
3 Stadio / Stage										
DKM38C	DKB38C	300	302.50	4.6	200	4800				
DKM38C	DKB38C	250	243.57	5.7	200	4800				
DKM38C	DKB38C	200	196.43	7.1	180	4800				
DKM38C	DKB38C	150	151.56	9.2	200	4650				
DKM38C	DKB38C	125	122.22	11.5	180	4330				
DKM38C	DKB38C	100	101.27	13.8	150	4070				
DKM38C	DKB38C	75	73.33	19.1	110	3650				
DKM38C	DKB38C	60	63.33	22	180	3480				
DKM38C	DKB38C	50	52.48	27	150	3270				
2 Stadio / Stage										
DKM38B	DKB38B	60	60.50	23	200	3430				
DKM38B	DKB38B	50	48.71	29	200	3190				
DKM38B	DKB38B	40	39.29	36	180	2970				
DKM38B	DKB38B	30	30.31	46	200	2720				
DKM38B	DKB38B	25	24.44	57	180	2530				
DKM38B	DKB38B	20	20.25	69	150	2380				
DKM38B	DKB38B	15	14.67	95	110	2130				
DKM38B	DKB38B	12.5	12.67	110	180	2030				
DKM38B	DKB38B	10	10.50	133	150	1910				
DKM38B	DKB38B	7.5	7.60	184	110	1710				

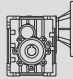
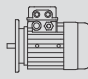
6.2 DKM.. / DKB..(IEC).. Prestazioni / Performance parameter

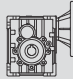
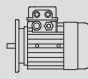
P _{1n} [kW]	n ₂ [r/min]	M _{2n} [Nm]	i		F _{r2} [N]	fs			Page								
			Nominal	Actual													
0.12	5.7	184	250	244.29	4100	0.7	DKM28C	63B5	6314	37							
	7.0	151	200	200.44	4100	0.9											
	9.5	110	150	146.67	4000	1.2											
	11.6	91	125	120.34	3770	1.4											
	13.9	76	100	101.04	3560	1.3											
	18.8	56	75	74.62	3220	1.4											
	22.5	47	60	62.36	3030	2.8											
	26.7	39	50	52.36	2860	2.5											
	24.0	45	60	58.36	2960	2.9	DKM28B	63B5	6314	36							
	28.7	38	50	48.86	2790	3.5											
	35	31	40	40.09	2610	4.2											
	48	23	30	29.33	2350	5.8											
	58	18.5	25	24.07	2200	7.0											
	69	15.6	20	20.21	2080	6.4											
	94	11.5	15	14.92	1880	7.0											
	112	9.6	12.5	12.47	1770	13.5											
	134	8.1	10	10.47	1670	12.4											
	181	5.9	7.5	7.73	1510	13.5											
4.6	228	300	302.50	4800	0.9	DKM38C	63B5	6314	39								
5.7	183	250	243.57	4800	1.1					DKB38C	63B5	6314	47				
7.1	148	200	196.43	4800	1.2												
9.2	114	150	151.56	4650	1.8												
11.5	92	125	122.22	4330	2.0												
13.8	76	100	101.27	4070	2.0												
19.1	55	75	73.33	3650	2.0												
22.1	48	60	63.33	3480	3.8												
26.7	40	50	52.48	3270	3.8												
23.1	47	60	60.50	3430	4.3	DKM38B	63B5	6314	38								
28.7	37	50	48.71	3190	5.3									DKB38B	63B5	6314	46
36	30	40	39.29	2970	6.0												
46	23	30	30.31	2720	8.6												
4.7	224	300	297.21	6500	1.6	DKM48C	63B5	6314	41								
5.8	181	250	240.89	6500	1.9												
7.0	151	200	200.66	6500	2.0												
9.3	114	150	151.20	6500	3.1												
11.1	95	125	125.95	5980	3.2												
14.1	75	100	99.22	5520	3.2												
18.6	57	75	75.45	5040	3.5												
4.7	222	300	295.18	8300	2.2	DKM58C	63B5	6314	43								
5.8	181	250	240.89	8300	2.8					DKB58C	63B5	6314	51				
7.0	151	200	200.66	8300	3.2												
9.3	114	150	151.20	8050	4.4												
0.18	9.6	165	300	291.79	4000	0.8	DKM28C	63B5	6312					37			
	11.5	138	250	244.29	3790	0.9											
	14.0	113	200	200.44	3550	1.1											
	19.1	83	150	146.67	3200	1.6											
	23.3	68	125	120.34	2990	1.9											
	27.7	57	100	101.04	2820	1.8											
	38	42	75	74.62	2550	1.9											
	45	35	60	62.36	2400	3.7											
	53	30	50	52.36	2270	3.4											
	48	34	60	58.36	2350	3.9	DKM28B	63B5	6312	36							
	57	28	50	48.86	2220	4.6											
	70	23	40	40.09	2070	5.6											

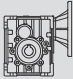
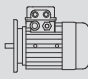
P _{1n} [kW]	n ₂ [r/min]	M _{2n} [Nm]	i		F _{r2} [N]	fs			Page	
			Nominal	Actual						
0.18	95	16.9	30	29.33	1870	7.7	DKM28B	63B5	6312	36
	116	13.9	25	24.07	1750	9.4				
	11.6	136	125	120.34	3770	1.0	DKM28C	63B5	6324	37
	13.9	114	100	101.04	3560	0.9				
	18.8	84	75	74.62	3220	0.9				
	22.5	70	60	62.36	3030	1.8				
	26.7	59	50	52.36	2860	1.7				
	24.0	67	60	58.36	2960	1.9	DKM28B	63B5	6324	36
	28.7	56	50	48.86	2790	2.3				
	35	46	40	40.09	2610	2.8				
	48	34	30	29.33	2350	3.8				
	58	28	25	24.07	2200	4.7				
	69	23	20	20.21	2080	4.3				
	94	17.2	15	14.92	1880	4.6				
	112	14.4	12.5	12.47	1770	9.0				
	134	12.1	10	10.47	1670	8.3				
	181	8.9	7.5	7.73	1510	9.0				
	14.4	110	60	62.36	3510	1.2	DKM28C	71B5/B14	7116	37
	17.2	92	50	52.36	3310	1.1				
	15.4	105	60	58.36	3430	1.2	DKM28B	71B5/B14	7116	36
	18.4	88	50	48.86	3240	1.5				
	22.4	72	40	40.09	3030	1.8				
	31	53	30	29.33	2730	2.5				
	37	43	25	24.07	2550	3.0				
	45	36	20	20.21	2410	2.8				
	60	27	15	14.92	2180	3.0				
	72	22	12.5	12.47	2050	5.8				
	86	18.8	10	10.47	1930	5.3				
	116	13.9	7.5	7.73	1750	5.8				
	9.3	171	300	302.50	4650	1.2	DKM38C	63B5	6312	39
	11.5	138	250	243.57	4330	1.5	DKB38C	63B5	6312	47
	14.3	111	200	196.43	4030	1.6				
	18.5	86	150	151.56	3690	2.3				
	22.9	69	125	122.22	3440	2.6				
	27.6	57	100	101.27	3230	2.6				
	38	41	75	73.33	2900	2.7				
	44	36	60	63.33	2760	5.0				
	53	30	50	52.48	2590	5.1				
	7.1	222	200	196.43	4800	0.8	DKM38C	63B5	6324	39
	9.2	171	150	151.56	4650	1.2	DKB38C	63B5	6324	47
	11.5	138	125	122.22	4330	1.3				
	13.8	114	100	101.27	4070	1.3				
19.1	83	75	73.33	3650	1.3					
22.1	72	60	63.33	3480	2.5					
26.7	59	50	52.48	3270	2.5					
23.1	70	60	60.50	3430	2.9	DKM38B	63B5	6324	38	
28.7	56	50	48.71	3190	3.6	DKB38B	63B5	6324	46	
36	45	40	39.29	2970	4.0					
12.3	129	75	73.33	4230	0.9	DKM38C	71B5/B14	7116	39	
14.2	111	60	63.33	4030	1.6	DKB38C	71B5/B14	7116	47	
17.1	92	50	52.48	3790	1.6					
14.9	109	60	60.50	3970	1.8	DKM38B	71B5/B14	7116	38	
18.5	87	50	48.71	3690	2.3	DKB38B	71B5/B14	7116	46	
22.9	71	40	39.29	3440	2.6					
29.7	54	30	30.31	3150	3.7					
37	44	25	24.44	2930	4.1					
44	36	20	20.25	2760	4.1					
61	26	15	14.67	2470	4.2					

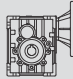
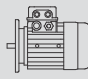
P _{1n} [kW]	n ₂ [r/min]	M _{2n} [Nm]	i		F _{r2} [N]	fs			Page	
			Nominal	Actual						
0.25	35	64	40	40.09	2610	2.0	DKM28B	71B5/B14	7114	36
	48	47	30	29.33	2350	2.8				
	58	39	25	24.07	2200	3.4				
	69	32	20	20.21	2080	3.1				
	94	24	15	14.92	1880	3.3				
	15.4	146	60	58.36	3430	0.9	DKM28B	71B5/B14	7126	36
	18.4	122	50	48.86	3240	1.1				
	22.4	100	40	40.09	3030	1.3				
	31	73	30	29.33	2730	1.8				
	37	60	25	24.07	2550	2.2				
45	50	20	20.21	2410	2.0					
60	37	15	14.92	2180	2.2					
72	31	12.5	12.47	2050	4.2					
86	26	10	10.47	1930	3.8					
116	19.3	7.5	7.73	1750	4.2					
11.5	191	250	243.57	4330	1.0	DKM38C	63B5	6322	39	
14.3	154	200	196.43	4030	1.2	DKB38C	63B5	6322	47	
18.5	119	150	151.56	3690	1.7					
22.9	96	125	122.22	3440	1.9					
27.6	79	100	101.27	3230	1.9					
38	58	75	73.33	2900	1.9					
44	50	60	63.33	2760	3.6					
53	41	50	52.48	2590	3.6					
11.5	192	125	122.22	4330	0.9	DKM38C	71B5/B14	7114	39	
13.8	159	100	101.27	4070	0.9	DKB38C	71B5/B14	7114	47	
19.1	115	75	73.33	3650	1.0					
22.1	99	60	63.33	3480	1.8					
26.7	82	50	52.48	3270	1.8					
23.1	97	60	60.50	3430	2.1	DKM38B	71B5/B14	7114	38	
28.7	78	50	48.71	3190	2.6	DKB38B	71B5/B14	7114	46	
36	63	40	39.29	2970	2.9					
46	49	30	30.31	2720	4.1					
14.2	155	60	63.33	4030	1.2	DKM38C	71B5/B14	7126	39	
17.1	128	50	52.48	3790	1.2	DKB38C	71B5/B14	7126	47	
14.9	151	60	60.50	3970	1.3	DKM38B	71B5/B14	7126	38	
18.5	121	50	48.71	3690	1.6	DKB38B	71B5/B14	7126	46	
22.9	98	40	39.29	3440	1.8					
29.7	76	30	30.31	3150	2.6					
37	61	25	24.44	2930	3.0					
44	50	20	20.25	2760	3.0					
61	37	15	14.67	2470	3.0					
9.4	233	300	297.21	6320	1.5	DKM48C	63B5	6322	41	
11.6	189	250	240.89	5890	1.9	DKB48C	63B5	6322	49	
14.0	157	200	200.66	5540	1.9					
18.5	119	150	151.20	5040	3.0					
22.2	99	125	125.95	4750	3.0					
28.2	78	100	99.22	4380	3.1					
37	59	75	75.45	4000	3.4					
5.8	378	250	240.89	6500	0.9	DKM48C	71B5	7114	41	
7.0	315	200	200.66	6500	1.0	DKB48C	71B5	7114	49	
9.3	237	150	151.20	6500	1.5					
11.1	198	125	125.95	5980	1.5					
14.1	156	100	99.22	5520	1.5					
18.6	118	75	75.45	5040	1.7					
22.4	98	60	62.43	4730	3.1					
28.5	77	50	49.18	4370	3.1					
6.0	369	150	151.20	6500	0.9	DKM48C	71B5	7126	41	
7.1	307	125	125.95	6500	1.0	DKB48C	71B5	7126	49	

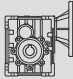
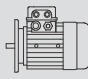
P _{1n} [kW]	n ₂ [r/min]	M _{2n} [Nm]	i		F _{r2} [N]	fs			Page	
			Nominal	Actual						
0.37	94	35	15	14.92	1880	2.3	DKM28C	71B5/B14	7124	36
	112	30	12.5	12.47	1770	4.4				
	134	25	10	10.47	1670	4.0				
	181	18.3	7.5	7.73	1510	4.4				
	22.4	148	40	40.09	3030	0.9	DKM28C	80B5/B14	8016	36
	31	108	30	29.33	2730	1.2				
	37	89	25	24.07	2550	1.5				
	45	75	20	20.21	2410	1.3				
	60	55	15	14.92	2180	1.5				
	72	46	12.5	12.47	2050	2.8				
86	39	10	10.47	1930	2.6					
116	29	7.5	7.73	1750	2.8					
18.5	176	150	151.56	3690	1.1	DKM38C	71B5/B14	7112	39	
22.9	142	125	122.22	3440	1.3	DKB38C	71B5/B14	7112	47	
27.6	118	100	101.27	3230	1.3					
38	85	75	73.33	2900	1.3					
44	74	60	63.33	2760	2.4					
53	61	50	52.48	2590	2.5					
46	72	60	60.50	2720	2.8	DKM38B	71B5/B14	7112	38	
57	58	50	48.71	2530	3.5	DKB38B	71B5/B14	7112	46	
71	47	40	39.29	2350	3.9					
22.1	147	60	63.33	3480	1.2	DKM38C	71B5/B14	7124	39	
26.7	122	50	52.48	3270	1.2	DKB38C	71B5/B14	7124	47	
23.1	144	60	60.50	3430	1.4	DKM38B	71B5/B14	7124	38	
28.7	116	50	48.71	3190	1.7	DKB38B	71B5/B14	7124	46	
36	93	40	39.29	2970	1.9					
46	72	30	30.31	2720	2.8					
57	58	25	24.44	2530	3.1					
69	48	20	20.25	2380	3.1					
95	35	15	14.67	2130	3.2					
14.9	223	60	60.50	3970	0.9	DKM38B	80B5/B14	8016	38	
18.5	180	50	48.71	3690	1.1	DKB38B	80B5/B14	8016	46	
22.9	145	40	39.29	3440	1.2					
29.7	112	30	30.31	3150	1.8					
37	90	25	24.44	2930	2.0					
44	75	20	20.25	2760	2.0					
61	54	15	14.67	2470	2.0					
71	47	12.5	12.67	2360	3.8					
86	39	10	10.50	2210	3.9					
118	28	7.5	7.60	1990	3.9					
9.4	345	300	297.21	6320	1.0	DKM48C	71B5	7112	41	
11.6	280	250	240.89	5890	1.3	DKB48C	71B5	7112	49	
14.0	233	200	200.66	5540	1.3					
18.5	176	150	151.20	5040	2.0					
22.2	146	125	125.95	4750	2.1					
28.2	115	100	99.22	4380	2.1					
37	88	75	75.45	4000	2.3					
45	72	60	62.43	3750	4.1					
57	57	50	49.18	3470	4.2					
9.3	351	150	151.20	6500	1.0	DKM48C	71B5	7124	41	
11.1	292	125	125.95	5980	1.0	DKB48C	71B5	7124	49	
14.1	230	100	99.22	5520	1.0					
18.6	175	75	75.45	5040	1.1					
22.4	145	60	62.43	4730	2.1					
28.5	114	50	49.18	4370	2.1					
23.6	141	60	59.44	4660	2.5	DKM48B	71B5	7124	40	
29.1	114	50	48.18	4340	3.1	DKB48B	71B5	7124	48	
35	95	40	40.13	4080	3.2					

P _{1n} [kW]	n ₂ [r/min]	M _{2n} [Nm]	i		F _{r2} [N]	fs			Page	
			Nominal	Actual						
0.55	45	108	60	62.36	2400	1.2	DKM28C	71B5/B14	7122	37
	53	90	50	52.36	2270	1.1				
	48	103	60	58.36	2350	1.3	DKM28B	71B5/B14	7122	36
	57	86	50	48.86	2220	1.5				
	70	71	40	40.09	2070	1.8				
	95	52	30	29.33	1870	2.5				
	116	42	25	24.07	1750	3.1				
	139	36	20	20.21	1650	2.8				
	188	26	15	14.92	1490	3.0				
	35	141	40	40.09	2610	0.9	DKM28B	80B5/B14	8014	36
48	103	30	29.33	2350	1.3					
58	85	25	24.07	2200	1.5					
69	71	20	20.21	2080	1.4					
94	53	15	14.92	1880	1.5					
112	44	12.5	12.47	1770	3.0					
134	37	10	10.47	1670	2.7					
181	27	7.5	7.73	1510	2.9					
37	132	25	24.07	2550	1.0	DKM28B	80B5/B14	8026	36	
45	111	20	20.21	2410	0.9					
60	82	15	14.92	2180	1.0					
72	68	12.5	12.47	2050	1.9					
86	57	10	10.47	1930	1.7					
116	42	7.5	7.73	1750	1.9					
22.9	211	125	122.22	3440	0.9	DKM38C	71B5/B14	7122	39	
27.6	175	100	101.27	3230	0.9	DKB38C	71B5/B14	7122	47	
38	127	75	73.33	2900	0.9					
44	109	60	63.33	2760	1.6					
53	91	50	52.48	2590	1.7					
46	107	60	60.50	2720	1.9	DKM38B	71B5/B14	7122	38	
57	86	50	48.71	2530	2.3	DKB38B	71B5/B14	7122	46	
71	69	40	39.29	2350	2.6					
92	53	30	30.31	2160	3.7					
23.1	213	60	60.50	3430	0.9	DKM38B	80B5/B14	8014	38	
28.7	172	50	48.71	3190	1.2	DKB38B	80B5/B14	8014	46	
36	139	40	39.29	2970	1.3					
46	107	30	30.31	2720	1.9					
57	86	25	24.44	2530	2.1					
69	71	20	20.25	2380	2.1					
95	52	15	14.67	2130	2.1					
110	45	12.5	12.67	2030	4.0					
133	37	10	10.50	1910	4.1					
184	27	7.5	7.60	1710	4.1					
22.9	216	40	39.29	3440	0.8	DKM38B	80B5/B14	8026	38	
29.7	166	30	30.31	3150	1.2	DKB38B	80B5/B14	8026	46	
37	134	25	24.44	2930	1.3					
44	111	20	20.25	2760	1.4					
61	80	15	14.67	2470	1.4					
71	70	12.5	12.67	2360	2.6					
86	58	10	10.50	2210	2.6					
118	42	7.5	7.60	1990	2.6					
14.0	346	200	200.66	5540	0.9	DKM48C	71B5	7122	41	
18.5	261	150	151.20	5040	1.3	DKB48C	71B5	7122	49	
22.2	217	125	125.95	4750	1.4					
28.2	171	100	99.22	4380	1.4					
37	130	75	75.45	4000	1.5					
45	108	60	62.43	3750	2.8					
57	85	50	49.18	3470	2.8					

P _{1n} [kW]	n ₂ [r/min]	M _{2n} [Nm]	i		F _{r2} [N]	fs			Page	
			Nominal	Actual						
0.55	5.7	843	250	244.29	10000	0.9	DKM68C	80B5	8014	45
	6.8	712	200	206.29	9920	1.1	DKB68C	80B5	8014	53
	9.1	529	150	153.33	8980	1.4				
	10.8	447	125	129.48	8490	1.7				
	13.5	358	100	103.64	7880	1.8				
	18.5	261	75	75.55	7090	2.0				
	21.8	222	60	64.18	6720	3.4				
	27.3	177	50	51.37	6240	3.7				
	23.6	209	60	59.22	6540	3.6	DKM68B	80B5	8014	44
	28.7	172	50	48.86	6130	4.4	DKB68B	80B5	8014	52
	5.9	823	150	153.33	10000	0.9	DKM68C	80B5	8026	45
	7.0	695	125	129.48	9840	1.1	DKB68C	80B5	8026	53
	8.7	556	100	103.64	9130	1.2				
	11.9	406	75	75.55	8220	1.3				
	14.0	345	60	64.18	7780	2.2				
	17.5	276	50	51.37	7230	2.4				
	15.2	325	60	59.22	7580	2.3	DKM68B	80B5	8026	44
	18.4	268	50	48.86	7110	2.8	DKB68B	80B5	8026	52
	21.8	226	40	41.26	6720	3.3				
	0.75	48	140	60	58.36	2350	0.9	DKM28B	80B5/B14	8012
57		117	50	48.86	2220	1.1	DKB28B	80B5/B14	8012	36
70		96	40	40.09	2070	1.3				
95		71	30	29.33	1870	1.8				
116		58	25	24.07	1750	2.2				
139		49	20	20.21	1650	2.1				
188		36	15	14.92	1490	2.2				
225		30	12.5	12.47	1400	4.3				
267		25	10	10.47	1320	4.0				
362		18.6	7.5	7.73	1200	4.3				
48		141	30	29.33	2350	0.9	DKM28B	80B5/B14	8024	36
58		116	25	24.07	2200	1.1	DKB28B	80B5/B14	8024	36
69		97	20	20.21	2080	1.0				
94		72	15	14.92	1880	1.1				
112		60	12.5	12.47	1770	2.2				
134		50	10	10.47	1670	2.0				
181		37	7.5	7.73	1510	2.2				
72		93	12.5	12.47	2050	1.4	DKM28B	90B5/B14	90S6	36
86		78	10	10.47	1930	1.3				
116		58	7.5	7.73	1750	1.4				
44		149	60	63.33	2760	1.2	DKM38C	80B5/B14	8012	39
53		124	50	52.48	2590	1.2	DKB38C	80B5/B14	8012	47
46		145	60	60.50	2720	1.4	DKM38B	80B5/B14	8012	38
57		117	50	48.71	2530	1.7	DKB38B	80B5/B14	8012	46
71		94	40	39.29	2350	1.9				
92		73	30	30.31	2160	2.7				
115		59	25	24.44	2010	3.1				
138		49	20	20.25	1890	3.1				
191		35	15	14.67	1690	3.1				
28.7		234	50	48.71	3190	0.9	DKM38B	80B5/B14	8024	38
36		189	40	39.29	2970	1.0	DKB38B	80B5/B14	8024	46
46		146	30	30.31	2720	1.4				
57	118	25	24.44	2530	1.5					
69	97	20	20.25	2380	1.5					
95	71	15	14.67	2130	1.6					
110	61	12.5	12.67	2030	3.0					
133	50	10	10.50	1910	3.0					
184	37	7.5	7.60	1710	3.0					

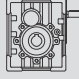
P _{1n} [kW]	n ₂ [r/min]	M _{2n} [Nm]	i		F _{r2} [N]	fs			Page	
			Nominal	Actual						
0.75	29.7	227	30	30.31	3150	0.9	DKM38B	90B5/B14	90S6	38
	37	183	25	24.44	2930	1.0	DKB38B	90B5/B14	90S6	46
	44	151	20	20.25	2760	1.0				
	61	110	15	14.67	2470	1.0				
	71	95	12.5	12.67	2360	1.9				
	86	79	10	10.50	2210	1.9				
	118	57	7.5	7.60	1990	1.9				
	18.5	356	150	151.20	5040	1.0	DKM48C	80B5/B14	8012	41
	22.2	296	125	125.95	4750	1.0	DKB48C	80B5/B14	8012	49
	28.2	234	100	99.22	4380	1.0				
37	178	75	75.45	4000	1.1					
45	147	60	62.43	3750	2.0					
57	116	50	49.18	3470	2.1					
47	143	60	59.44	3690	2.4	DKM48B	80B5/B14	8012	40	
58	116	50	48.18	3440	3.0	DKB48B	80B5/B14	8012	48	
70	96	40	40.13	3240	3.1					
22.4	294	60	62.43	4730	1.0	DKM48C	80B5/B14	8024	41	
28.5	231	50	49.18	4370	1.0	DKB48C	80B5/B14	8024	49	
23.6	286	60	59.44	4660	1.2	DKM48B	80B5/B14	8024	40	
29.1	232	50	48.18	4340	1.5	DKB48B	80B5/B14	8024	48	
35	193	40	40.13	4080	1.6					
46	145	30	30.24	3720	2.4					
56	121	25	25.19	3500	2.5					
71	95	20	19.84	3230	2.5					
93	73	15	15.09	2950	2.8					
18.7	360	50	48.18	5030	1.0	DKM48B	90B5/B14	90S6	40	
22.4	300	40	40.13	4730	1.0	DKB48B	90B5/B14	90S6	48	
29.8	226	30	30.24	4310	1.5					
36	188	25	25.19	4050	1.6					
45	148	20	19.84	3740	1.6					
60	113	15	15.09	3410	1.8					
72	93	12.5	12.49	3210	3.2					
91	74	10	9.84	2960	3.3					
120	56	7.5	7.48	2700	3.6					
11.6	567	250	240.89	7470	0.9	DKM58C	80B5/B14	8012	43	
14.0	472	200	200.66	7030	1.0	DKB58C	80B5/B14	8012	51	
18.5	356	150	151.20	6390	1.4					
22.2	296	125	125.95	6010	1.6					
28.2	234	100	99.22	5550	1.6					
37	178	75	75.45	5070	1.7					
45	147	60	62.43	4760	3.3					
57	116	50	49.18	4390	3.3					
47	142	60	59.04	4670	3.5	DKM58B	80B5/B14	8012	42	
58	116	50	48.18	4360	4.3	DKB58B	80B5/B14	8012	50	
22.4	294	60	62.43	6000	1.6	DKM58C	80B5/B14	8024	43	
28.5	231	50	49.18	5540	1.6	DKB58C	80B5/B14	8024	51	
23.7	284	60	59.04	5890	1.8	DKM58B	80B5/B14	8024	42	
29.1	232	50	48.18	5500	2.2	DKB58B	80B5/B14	8024	50	
35	193	40	40.13	5170	2.5					
46	145	30	30.24	4710	3.4					
56	121	25	25.19	4430	4.0					
71	95	20	19.84	4090	4.0					
93	73	15	15.09	3730	4.1					
14.4	457	60	62.43	6950	1.1	DKM58C	90B5/B14	90S6	43	
18.3	360	50	49.18	6420	1.1	DKB58C	90B5/B14	90S6	51	

P _{1n} [kW]	n ₂ [r/min]	M _{2n} [Nm]	i		F _{r2} [N]	fs			Page	
			Nominal	Actual						
0.75	15.2	442	60	59.04	6820	1.1	DKM58B	90B5/B14	90S6	42
	18.7	360	50	48.18	6370	1.4	DKB58B	90B5/B14	90S6	50
	22.4	300	40	40.13	6000	1.6				
	29.8	226	30	30.24	5460	2.2				
	36	188	25	25.19	5130	2.5				
	45	148	20	19.84	4740	2.6				
	60	113	15	15.09	4330	2.7				
	9.5	697	300	296.10	8880	1.1	DKM68C	80B5	8012	45
	11.5	575	250	244.29	8330	1.3	DKB68C	80B5	8012	53
	13.6	485	200	206.29	7870	1.5				
	18.3	361	150	153.33	7130	2.1				
	21.6	305	125	129.48	6740	2.5				
	27.0	244	100	103.64	6260	2.7				
	37	178	75	75.55	5630	2.9				
	9.1	722	150	153.33	8980	1.0	DKM68C	80B5	8024	45
	10.8	609	125	129.48	8490	1.2	DKB68C	80B5	8024	53
	13.5	488	100	103.64	7880	1.3				
	18.5	356	75	75.55	7090	1.5				
	21.8	302	60	64.18	6720	2.5				
	27.3	242	50	51.37	6240	2.7				
	23.6	285	60	59.22	6540	2.6	DKM68B	80B5	8024	44
	28.7	235	50	48.86	6130	3.2	DKB68B	80B5	8024	52
	34	198	40	41.26	5800	3.8				
	8.7	759	100	103.64	9130	0.9	DKM68C	90B5	90S6	45
	11.9	553	75	75.55	8220	0.9	DKB68C	90B5	90S6	53
	14.0	470	60	64.18	7780	1.6				
	17.5	376	50	51.37	7230	1.7				
	15.2	443	60	59.22	7580	1.7	DKM68B	90B5	90S6	44
	18.4	366	50	48.86	7110	2.1	DKB68B	90B5	90S6	52
	21.8	309	40	41.26	6720	2.4				
	29.3	229	30	30.67	6090	3.3				
	35	194	25	25.90	5750	3.9				
43	155	20	20.73	5340	4.2					
1.1	70	141	40	40.09	2070	0.9	DKM28B	80B5/B14	8022	36
	95	103	30	29.33	1870	1.3				
	116	85	25	24.07	1750	1.5				
	139	71	20	20.21	1650	1.4				
	188	53	15	14.92	1490	1.5				
	225	44	12.5	12.47	1400	3.0				
	267	37	10	10.47	1320	2.7				
	362	27	7.5	7.73	1200	2.9				
	112	88	12.5	12.47	1770	1.5	DKM28B	90B5/B14	90S4	36
	134	74	10	10.47	1670	1.4				
	181	55	7.5	7.73	1510	1.5				
	72	137	12.5	12.47	2050	1.0	DKM28B	90B5/B14	90L6	36
	86	115	10	10.47	1930	0.9				
	116	85	7.5	7.73	1750	0.9				
	46	213	60	60.50	2720	0.9	DKM38B	80B5/B14	8022	38
	57	172	50	48.71	2530	1.2	DKB38B	80B5/B14	8022	46
	71	139	40	39.29	2350	1.3				
	92	107	30	30.31	2160	1.9				
	115	86	25	24.44	2010	2.1				
	138	71	20	20.25	1890	2.1				
191	52	15	14.67	1690	2.1					
221	45	12.5	12.67	1610	4.0					
267	37	10	10.50	1510	4.1					
368	27	7.5	7.60	1360	4.1					

P _{1n} [kW]	n ₂ [r/min]	M _{2n} [Nm]	i		F _{r2} [N]	fs			Page	
			Nominal	Actual						
1.1	46	214	30	30.31	2720	0.9	DKM38B	90B5/B14	90S4	38
	57	172	25	24.44	2530	1.0	DKB38B	90B5/B14	90S4	46
	69	143	20	20.25	2380	1.1				
	95	103	15	14.67	2130	1.1				
	110	89	12.5	12.67	2030	2.0				
	133	74	10	10.50	1910	2.0				
	184	54	7.5	7.60	1710	2.1				
	71	139	12.5	12.67	2360	1.3	DKM38B	90B5/B14	90L6	38
	86	115	10	10.50	2210	1.3	DKB38B	90B5/B14	90L6	46
	118	83	7.5	7.60	1990	1.3				
45	215	60	62.43	3750	1.4	DKM48C	80B5/B14	8022	41	
57	170	50	49.18	3470	1.4	DKB48C	80B5/B14	8022	49	
47	210	60	59.44	3690	1.7	DKM48B	80B5/B14	8022	40	
58	170	50	48.18	3440	2.1	DKB48B	80B5/B14	8022	48	
70	142	40	40.13	3240	2.1					
93	107	30	30.24	2950	3.3					
111	89	25	25.19	2770	3.4					
141	70	20	19.84	2560	3.4					
186	53	15	15.09	2340	3.8					
29.1	340	50	48.18	4340	1.0	DKM48B	90B5/B14	90S4	40	
35	283	40	40.13	4080	1.1	DKB48B	90B5/B14	90S4	48	
46	213	30	30.24	3720	1.6					
56	178	25	25.19	3500	1.7					
71	140	20	19.84	3230	1.7					
93	106	15	15.09	2950	1.9					
112	88	12.5	12.49	2770	3.4					
142	69	10	9.84	2550	3.5					
187	53	7.5	7.48	2330	3.8					
29.8	332	30	30.24	4310	1.1	DKM48B	90B5/B14	90L6	40	
36	276	25	25.19	4050	1.1	DKB48B	90B5/B14	90L6	48	
45	218	20	19.84	3740	1.1					
60	166	15	15.09	3410	1.2					
72	137	12.5	12.49	3210	2.2					
91	108	10	9.84	2960	2.2					
120	82	7.5	7.48	2700	2.4					
18.5	522	150	151.20	6390	1.0	DKM58C	80B5/B14	8022	43	
22.2	435	125	125.95	6010	1.1	DKM48C	80B5/B14	8022	51	
28.2	342	100	99.22	5550	1.1					
37	260	75	75.45	5070	1.2					
45	215	60	62.43	4760	2.2					
57	170	50	49.18	4390	2.2					
47	208	60	59.04	4670	2.4	DKM58B	80B5/B14	8022	42	
58	170	50	48.18	4360	2.9	DKM48B	80B5/B14	8022	50	
70	142	40	40.13	4110	3.4					
22.4	431	60	62.43	6000	1.1	DKM58C	90B5/B14	90S4	43	
28.5	340	50	49.18	5540	1.1	DKM48C	90B5/B14	90S4	51	
23.7	416	60	59.04	5890	1.2	DKM58B	90B5/B14	90S4	42	
29.1	340	50	48.18	5500	1.5	DKM48B	90B5/B14	90S4	50	
35	283	40	40.13	5170	1.7					
46	213	30	30.24	4710	2.3					
56	178	25	25.19	4430	2.7					
71	140	20	19.84	4090	2.7					
93	106	15	15.09	3730	2.8					
18.7	529	50	48.18	6370	0.9	DKM58B	90B5/B14	90L6	42	
22.4	440	40	40.13	6000	1.1	DKM48B	90B5/B14	90L6	50	
29.8	332	30	30.24	5460	1.5					
36	276	25	25.19	5130	1.7					
45	218	20	19.84	4740	1.7					
60	166	15	15.09	4330	1.8					

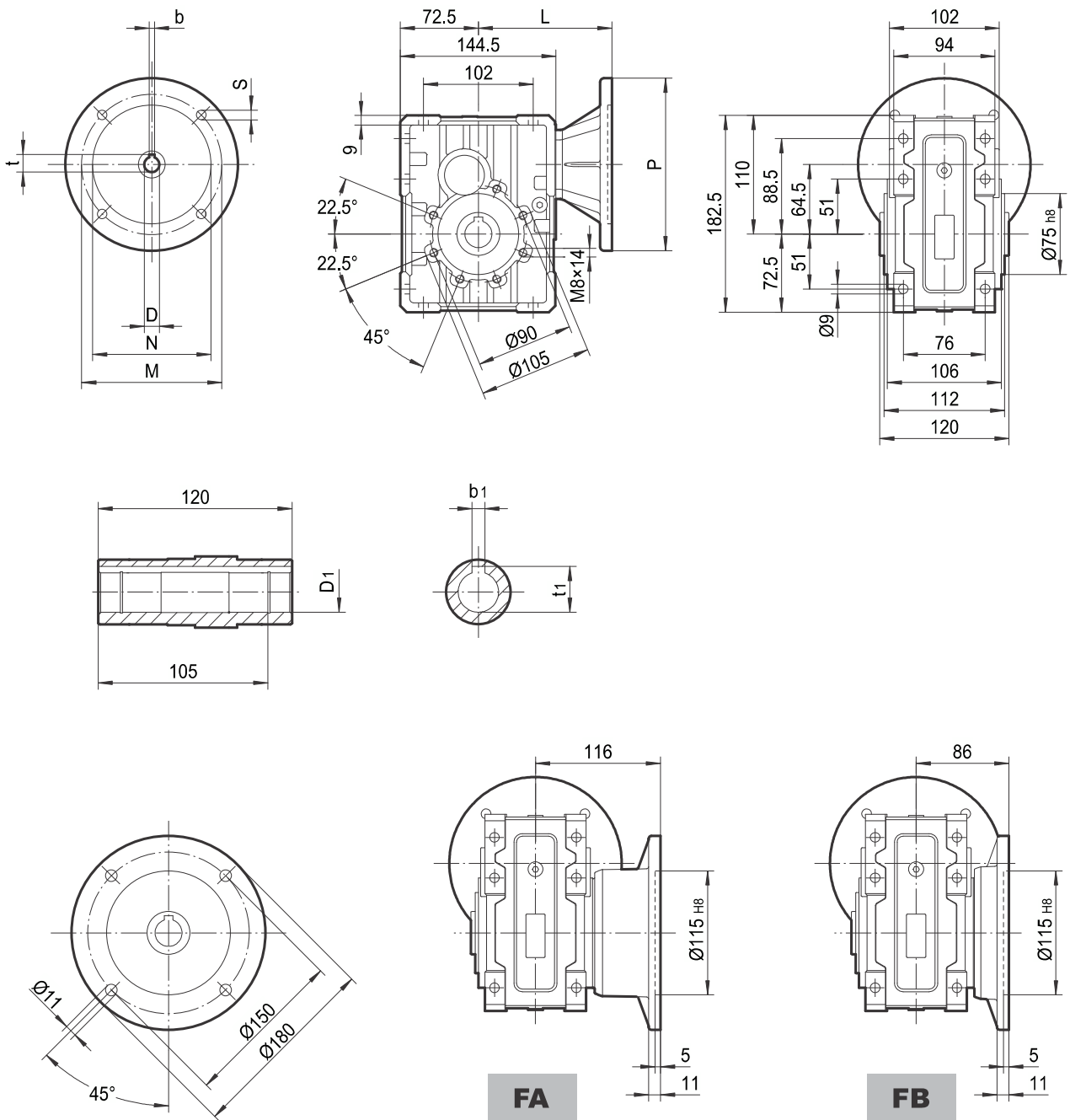
6.3 DKM/DKB.. HS Prestazioni / Performance parameter

$n_1=1400\text{r/min}$

$M_{2\max}$ [Nm]	n_2 [r/min]	i Nominal	i Actual	P_{1n} [kW]	Fr_2 [N]	Fr_1 [N]		Page
130	4.8	300	291.79	0.07	4100	400	DKM28C...HS	54
130	5.7	250	244.29	0.08	4100	400		
130	7.0	200	200.44	0.10	4100	400		
130	9.5	150	146.67	0.14	4000	400		
130	11.6	125	120.34	0.17	3770	400		
100	13.9	100	101.04	0.16	3560	400		
80	18.8	75	74.62	0.17	3220	400		
130	22.5	60	62.36	0.33	3030	400		
100	27	50	52.36	0.30	2860	400		
130	24	60	58.36	0.35	2960	400	DKM28B...HS	54
130	29	50	48.86	0.41	2790	400		
130	35	40	40.09	0.51	2610	400		
130	48	30	29.33	0.69	2350	400		
130	58	25	24.07	0.84	2200	400		
100	69	20	20.21	0.77	2080	400		
80	94	15	14.92	0.84	1880	400		
130	112	12.5	12.47	1.6	1770	400		
100	134	10	10.47	1.5	1670	400		
80	181	7.5	7.73	1.6	1510	400		
200	4.6	300	302.50	0.11	4800	400	DKM38C...HS DKB38C...HS	54
200	5.7	250	243.57	0.13	4800	400		
180	7.1	200	196.43	0.15	4800	400		
200	9.2	150	151.56	0.21	4650	400		
180	11.5	125	122.22	0.23	4330	400		
150	13.8	100	101.27	0.24	4070	400		
110	19.1	75	73.33	0.24	3650	400		
180	22	60	63.33	0.45	3480	400		
150	27	50	52.48	0.46	3270	400		
200	23	60	60.50	0.52	3430	530	DKM38B...HS DKB38B...HS	54
200	29	50	48.71	0.64	3190	530		
180	36	40	39.29	0.71	2970	530		
200	46	30	30.31	1.0	2720	530		
180	57	25	24.44	1.1	2530	530		
150	69	20	20.25	1.2	2380	530		
110	95	15	14.67	1.2	2130	530		
180	110	12.5	12.67	2.2	2030	530		
150	133	10	10.50	2.2	1910	530		
110	184	7.5	7.60	2.3	1710	530		
350	4.7	300	297.21	0.19	6500	560	DKM48C...HS DKB48C...HS	54
350	5.8	250	240.89	0.23	6500	560		
300	7.0	200	200.66	0.24	6500	560		
350	9.3	150	151.20	0.37	6500	560		
300	11.1	125	125.95	0.38	5980	560		
240	14.1	100	99.22	0.39	5520	560		
200	18.6	75	75.45	0.42	5040	560		
300	22	60	62.43	0.77	4730	560		
240	28	50	49.18	0.78	4370	560		
350	24	60	59.44	0.92	4660	860	DKM48B...HS DKB48B...HS	54
350	29	50	48.18	1.1	4340	860		
300	35	40	40.13	1.2	4080	860		
350	46	30	30.24	1.8	3720	860		
300	56	25	25.19	1.9	3500	860		

7.2 DKB... Dimensioni / Outline Dimension

DKB38B..



IEC	D _{E8}	b	t	P	M	N	S	T	L	D1 _{H8}	b1	t1
63B5	11	4	12.8	140	115	95	9	4	117	25	8	28.3
71B5	14	5	16.3	160	130	110	9	4	124	28*	8	31.3
71B14	14	5	16.3	105	85	70	7	4	124	30*	8	33.3
80B5	19	6	21.8	200	165	130	11	4	144	* Solo su richiesta * Only on request		
80B14	19	6	21.8	120	100	80	7	4	144			
90B5	24	8	27.3	200	165	130	11	4	144			
90B14	24	8	27.3	140	115	95	9	4	144			

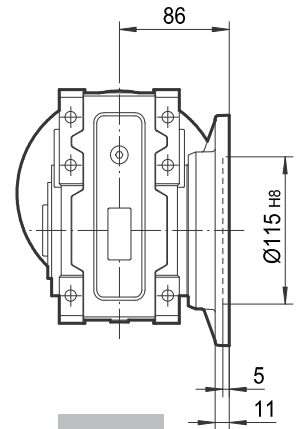
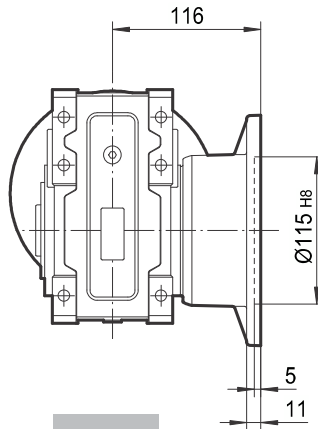
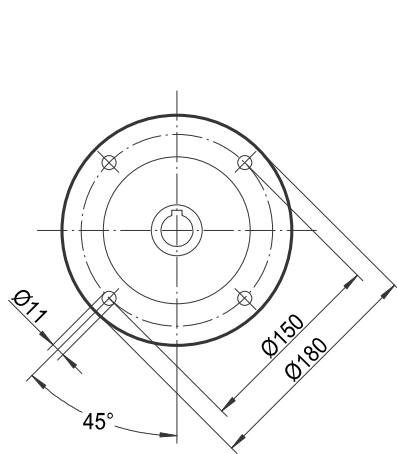
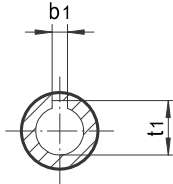
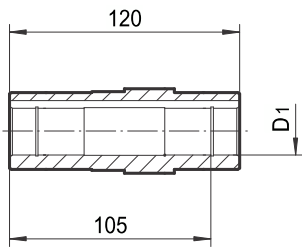
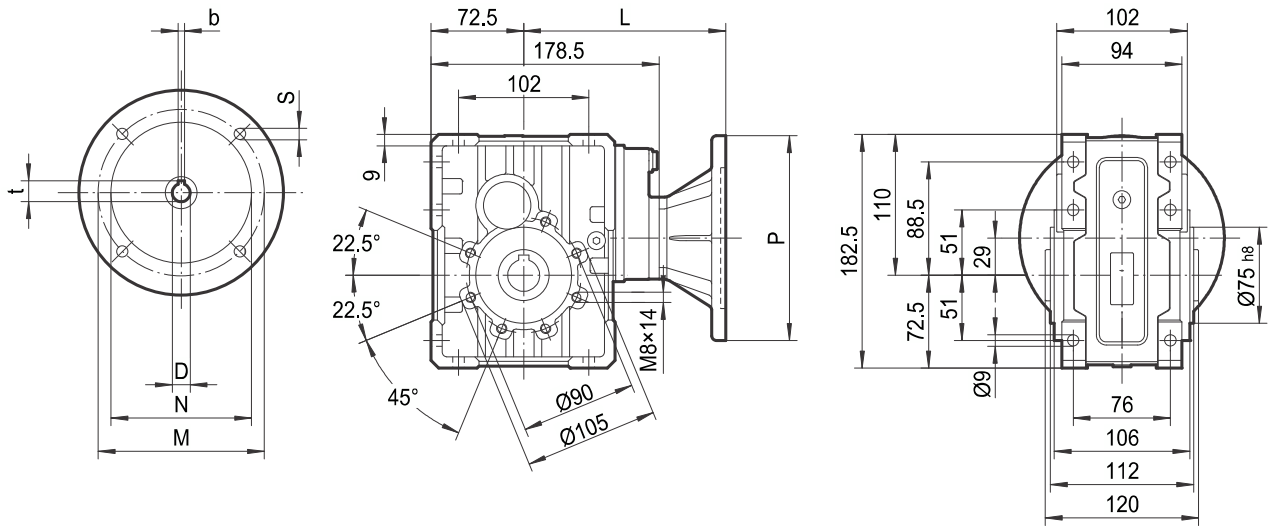
Peso senza motore

≈ 6.0 kg

Weight without motor

≈ 6.0 kg

DKB38C..



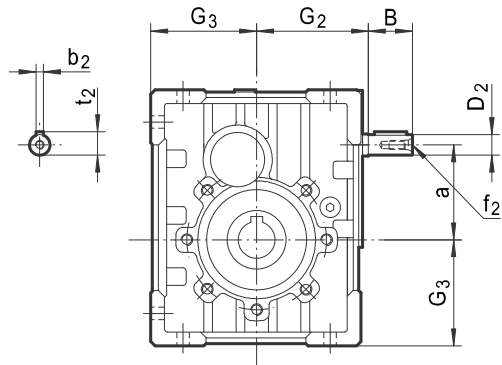
IEC	D _{E8}	b	t	P	M	N	S	T	L	D ₁ H ₈	b ₁	t ₁
63B5	11	4	12.8	140	115	95	9	4	151	25	8	28.3
71B5	14	5	16.3	160	130	110	9	4	158	28*	8	31.3
71B14	14	5	16.3	105	85	70	7	4	158	30*	8	33.3
80B5	19	6	21.8	200	165	130	11	4	178	* Solo su richiesta		
80B14	19	6	21.8	120	100	80	7	4	178	* Only on request		

Peso senza motore
≈ 6.8 kg

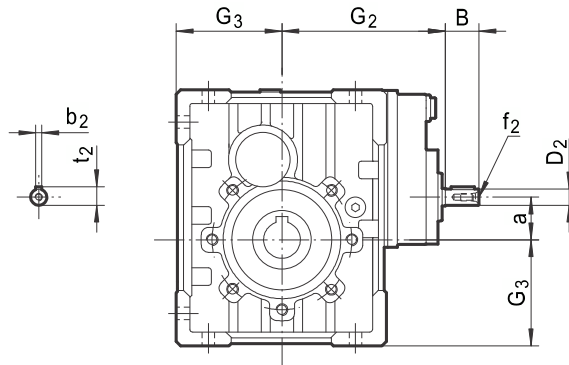
Weight without motor
≈ 6.8 kg

7.3 DKM..HS Dimensioni / Outline Dimension

DKM..B..HS



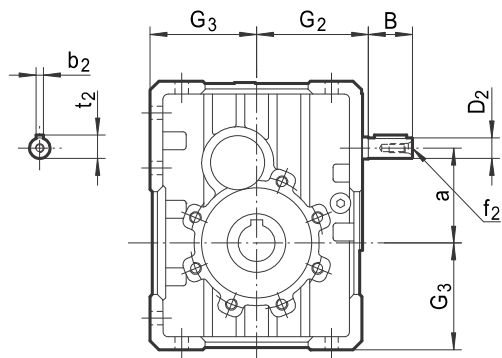
DKM..C..HS



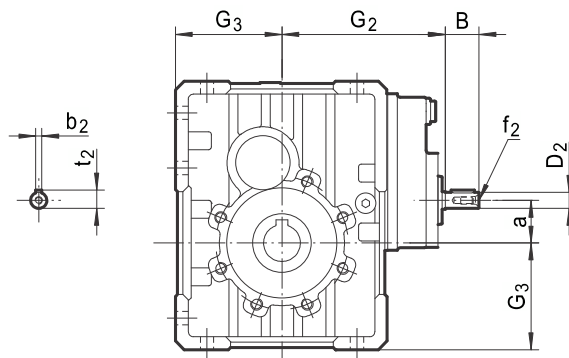
	B	D _{2 j6}	G ₂	G ₃	a	b ₂	f ₂	t ₂
DKM28B	23	11	65	60	57	4	-	12.5
DKM28C	23	11	100	60	21.5	4	-	12.5
DKM38B	30	14	76	72	64.5	5	M6	16
DKM38C	23	11	111	72	29	4	-	12.5
DKM48B	40	16	91	86	74.5	5	M6	18
DKM48C	30	14	132	86	30.5	5	M6	16
DKM58B	40	19	107	103	88	6	M6	21.5
DKM58C	30	14	148	103	44	5	M6	16
DKM68B	50	24	132	127.5	108	8	M8	27
DKM68C	40	19	181	127.5	52	6	M6	21.5

7.4 DKB..HS Dimensioni / Outline Dimension

DKB..B..HS



DKB..C..HS



	B	D _{2 j6}	G ₂	G ₃	a	b ₂	f ₂	t ₂
DKB38B	30	14	76	72.5	64.5	5	M6	16
DKB38C	23	11	111	72.5	29	4	-	12.5
DKB48B	40	16	91	87	74.5	5	M6	18
DKB48C	30	14	132	87	30.5	5	M6	16
DKB58B	40	19	107	100	88	6	M6	21.5
DKB58C	30	14	148	100	44	5	M6	16
DKB68B	50	24	132	125	108	8	M8	27
DKB68C	40	19	181	125	52	6	M6	21.5